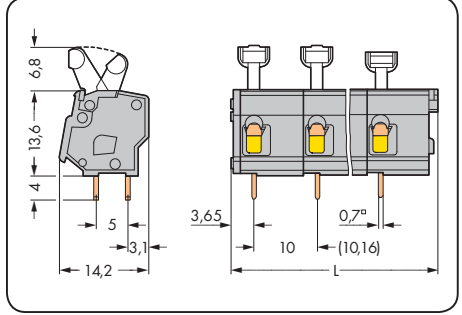
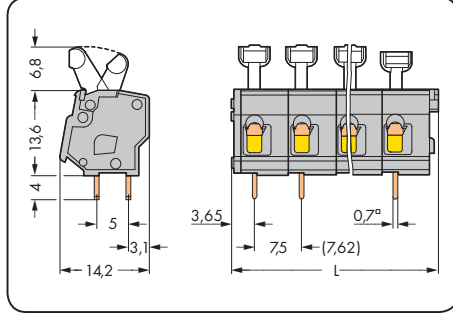
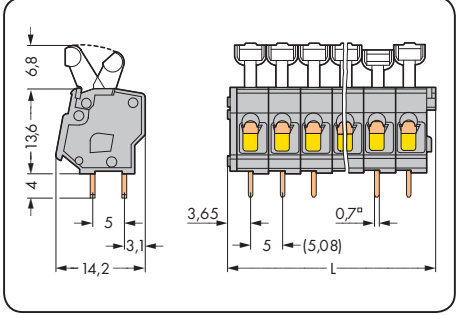
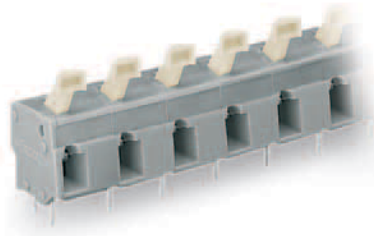
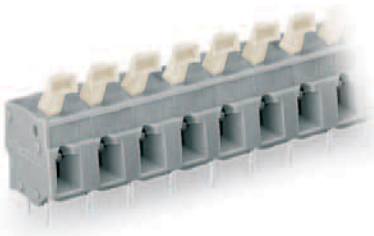
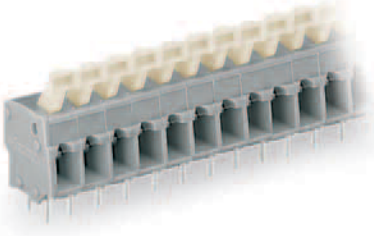


# PCB Terminal Strips with Push-Buttons 2.5 mm<sup>2</sup>

Pin spacing 5/5.08 mm / 0.2 in		Pin spacing 7.5/7.62 mm / 0.3 in		Pin spacing 10/10.16 mm / 0.4 in	
0.08 - 2.5 mm <sup>2</sup> 320 V/4 kV/2 24 A	AWG 28 - 12 300 V/10 A	0.08 - 2.5 mm <sup>2</sup> 630 V/6 kV/2 24 A	AWG 28 - 12 300 V/10 A	0.08 - 2.5 mm <sup>2</sup> 1000 V/8 kV/2 24 A	AWG 28 - 12 300 V/10 A



L = (pole no. x pin spacing) + 2.9 mm Dimensions for angled push-buttons, see page 103

Pole No.	Item No.	Item No.	Pack. Unit	Pole No.	Item No.	Item No.	Pack. Unit	Pole No.	Item No.	Item No.	Pack. Unit
<b>Terminal strip with push-buttons, 2 solder pins/pole, gray</b>				<b>Terminal strip with push-buttons, 2 solder pins/pole, gray</b>				<b>Terminal strip with push-buttons, 2 solder pins/pole, gray</b>			
	Angled push-button	Straight push-button			Angled push-button	Straight push-button			Angled push-button	Straight push-button	
2	257-452	257-402	400 (4 x 100)	2	257-552	257-502	280 (4 x 70)	2	257-652	257-602	200 (4 x 50)
3	257-453	257-403	280 (4 x 70)	3	257-553	257-503	200 (4 x 50)	3	257-653	257-603	140 (4 x 35)
4	257-454	257-404	220 (4 x 55)	4	257-554	257-504	140 (4 x 35)	4	257-654	257-604	100 (4 x 25)
5	257-455	257-405	180 (4 x 45)	5	257-555	257-505	120 (4 x 30)	5	257-655	257-605	80 (4 x 20)
6	257-456	257-406	140 (4 x 35)	6	257-556	257-506	100 (4 x 25)	6	257-656	257-606	80 (4 x 20)
7	257-457	257-407	120 (4 x 30)	7	257-557	257-507	80 (4 x 20)	7	257-657	257-607	60 (4 x 15)
8	257-458	257-408	100 (4 x 25)	8	257-558	257-508	80 (4 x 20)	8	257-658	257-608	60 (4 x 15)
9	257-459	257-409	100 (4 x 25)	9	257-559	257-509	60 (4 x 15)	9	257-659	257-609	40 (4 x 10)
10	257-460	257-410	80 (4 x 20)	10	257-560	257-510	60 (4 x 15)	10	257-660	257-610	40 (4 x 10)
12	257-462	257-412	80 (4 x 20)	12	257-562	257-512	40 (4 x 10)	12	257-662	257-612	40 (4 x 10)
16	257-466	257-416	60 (4 x 15)	16	257-566	257-516	40 (4 x 10)	16	257-666	257-616	20 (4 x 5)
24	257-474	257-424	40 (4 x 10)	24	257-574	257-524	20 (4 x 5)	24	257-674	257-624	20 (4 x 5)
36	257-486	257-436	20 (4 x 5)								
48	257-498	257-448	20 (4 x 5)								

**Item no. suffixes for Ex e II and Ex i applications:**

- Ex e II Ex e II     . . . . . /000-009/999-950
- Ex i                 . . . . . /000-006 (only for 10/10.16 mm pin spacing)

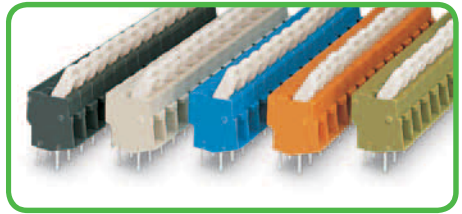
**Ordering example:**

Terminal strip, 10/10.16 mm pin spacing, 10-pole, Ex e II: **257-660/000-009/999-950**

**Item no. suffixes for colored terminal strips: (Production and prices depend on quantity required)**

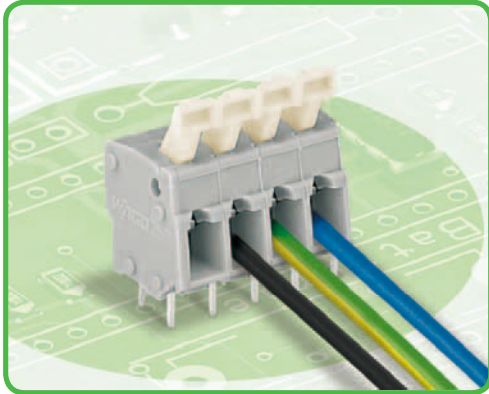
- red                    . . . . . /000-005
- blue                  . . . . . /000-006
- dark gray            . . . . . /000-008
- light gray            . . . . . /000-009
- orange                . . . . . /000-012
- light green           . . . . . /000-017

**Ordering example:**  
Terminal strip, 5/5.08 mm pin spacing  
8-pole, orange: **257-408/000-012**



Please contact factory for other lengths, colors, mixed-color terminal strips, or direct marking.

# Modular PCB Terminal Blocks and Strips with Push-Buttons 2.5 mm<sup>2</sup> Pin Spacing 5/5.08 mm, 7.5/7.62 mm, 10/10.16 mm 257 Series



- Modular terminal blocks and terminal strips with push-button actuated CAGE CLAMP®
- versions with Ex e (increased safety) approval
- Set to metric or inch pin spacing by compressing terminal strips together or pulling them apart
- Ideal for in-the-field wiring thanks to simplified push-button actuation
- Convenient, tool-free operation
- Versions with angled push-buttons for simple top-of-unit actuation

**Technical data:**

Pin Spacing	5/5.08 mm 0.2 in			7.5/7.62 mm 0.3 in			10/10.16 mm 0.4 in		
Rating per	IEC/EN 60664-1			IEC/EN 60664-1			IEC/EN 60664-1		
Overtoltage category	III	III	II	III	III	II	III	III	II
Pollution degree	3	2	2	3	2	2	3	2	2
Rated voltage	250 V	320 V	630 V	400 V	630 V	1000 V	630 V	1000 V	1000 V
Rated surge voltage	4 kV	4 kV	4 kV	6 kV	6 kV	6 kV	8 kV	8 kV	8 kV
Nominal current	24 A	24 A	24 A	24 A	24 A	24 A	24 A	24 A	24 A
Approvals per	UL/CSA			UL/CSA			UL/CSA		
Use group UL 1059	B	C	D	B	C	D	B	C	D
Rated voltage	300 V	-	300 V	300 V	-	300 V	300 V	-	300 V
Nominal current UL	15 A	-	10 A	15 A	-	10 A	15 A	-	10 A
Nominal current CSA	15 A	-	10 A	15 A	-	10 A	15 A	-	10 A

**Conductor and solder pin data:**

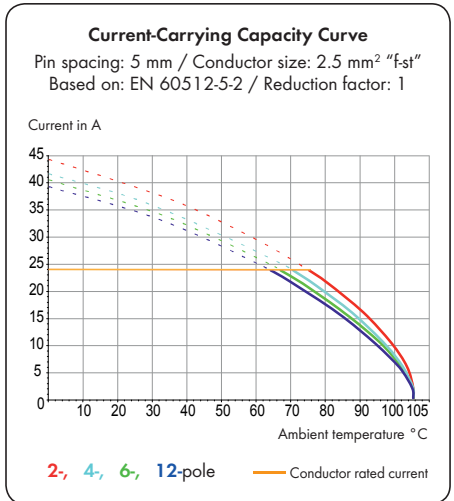
Connection technology	CAGE CLAMP®
Conductor size: solid	0.08 - 2.5 mm <sup>2</sup>
Conductor size: fine-stranded	0.08 - 2.5 mm <sup>2</sup>
Conductor size: fine-stranded	0.25 - 1.5 mm <sup>2</sup> (with insulated ferrule)
Conductor size: fine-stranded	0.25 - 1.5 mm <sup>2</sup> (with uninsulated ferrule)
AWG	28 - 12 (12: THHN, THWN)
Strip length	5 - 6 mm / 0.20 - 0.24 in
Conductor entry angle	0° to PCB
Solder pin: length/width	4 mm / 0.7 x 0.7 mm
Solder pin: drilled hole diameter	1.1 <sup>+0.1</sup> mm

**Material data:**

Material group	I
Insulating material	Nylon 6.6 (PA 6.6)
Flammability rating per UL 94	V0
Lower/Upper temperature limit	-60°C / +105°C
Clamping spring material	Chrome-nickel spring steel (CrNi)
Contact material	Electrolytic copper (E <sub>cu</sub> )
Contact plating	tin-plated

**Technical data for Ex e II ( ) versions:**

Pin Spacing	5/5.08 mm 0.2 in	7.5/7.62 mm 0.3 in	10/10.16 mm 0.4 in
Rating per	ATEX: PTB 06 ATEX 1061 U IECEx: IECEx PTB 06.0042 U		
Rated voltage	176 V	275 V	440 V
Nominal current	16 A	16 A	16 A



**257 Series accessories:**

**Page:**

Marking accessories	540 - 543
Operating tools	526 - 528
Commoning strips	67 - 69
Test plug adapter	196