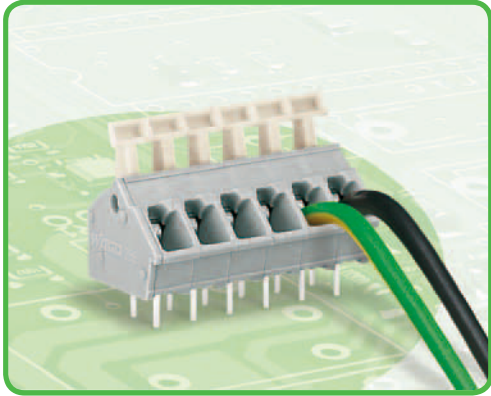


# Modular PCB Terminal Blocks and Strips with Push-Buttons 2.5 mm<sup>2</sup> Pin Spacing 5/5.08 mm, 7.5/7.62 mm, 10/10.16 mm 256 Series



- Modular terminal blocks and terminal strips with push-button actuated CAGE CLAMP® termination
- version with Ex e (increased safety) approval
- Set to metric or inch pin spacing by compressing terminal strips together or pulling them apart
- Ideal for in-the-field wiring thanks to simplified push-button actuation
- Convenient, tool-free operation

**Technical data:**

Pin Spacing	5/5.08 mm 0.197/0.2 in			7.5/7.62 mm 0.295/0.3 in			10/10.16 mm 0.394/0.4 in		
Rating per	IEC/EN 60664-1			IEC/EN 60664-1			IEC/EN 60664-1		
Overtoltage category	III	III	II	III	III	II	III	III	II
Pollution degree	3	2	2	3	2	2	3	2	2
Rated voltage	250 V	320 V	630 V	320 V	320 V	630 V	500 V	630 V	1000 V
Rated surge voltage	4 kV	4 kV	4 kV	4 kV	4 kV	4 kV	6 kV	6 kV	6 kV
Nominal current	24 A	24 A	24 A	24 A	24 A	24 A	24 A	24 A	24 A
Approvals per	UL/CSA			UL/CSA			UL/CSA		
Use group UL 1059	B	C	D	B	C	D	B	C	D
Rated voltage	300 V	-	300 V	300 V	-	300 V	300 V	-	300 V
Nominal current UL	15 A	-	10 A	15 A	-	10 A	15 A	-	10 A
Nominal current CSA	15 A	-	10 A	15 A	-	10 A	15 A	-	10 A

**Conductor and solder pin data:**

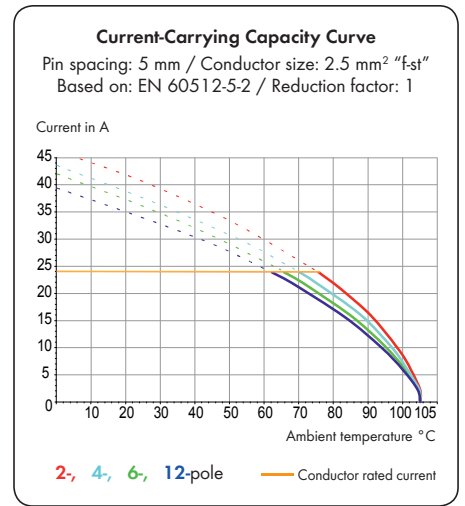
Connection technology	CAGE CLAMP®
Conductor size: solid	0.08 - 2.5 mm <sup>2</sup>
Conductor size: fine-stranded	0.08 - 2.5 mm <sup>2</sup>
Conductor size: fine-stranded	0.25 - 1.5 mm <sup>2</sup> (with insulated ferrule)
Conductor size: fine-stranded	0.25 - 1.5 mm <sup>2</sup> (with uninsulated ferrule)
AWG	28 - 12 (12: THHN, THWN)
Strip length	5 - 6 mm / 0.20 - 0.24 in
Conductor entry angle	45° to PCB
Solder pin: length/width	4 (3.6; 5.5) mm / 0.7 x 0.7 mm
Solder pin: drilled hole diameter	1.1 <sup>+0.1</sup> mm

**Material data:**

Material group	I
Insulating material	Nylon 6.6 (PA 6.6)
Flammability rating per UL 94	V0
Lower/Upper temperature limit	-60°C / +105°C
Clamping spring material	Chrome-nickel spring steel (CrNi)
Contact material	Electrolytic copper (E <sub>cu</sub> )
Contact plating	tin-plated

**Technical data for Ex e II ( ) versions:**

Pin Spacing	5/5.08 mm 0.197/0.2 in	7.5/7.62 mm 0.295/0.3 in	10/10.16 mm 0.394/0.4 in
Rating per	ATEX: PTB 06 ATEX 1061 U IECEx: IECEx PTB 06.0042 U		
Rated voltage	176 V	275 V	352 V
Nominal current	16 A	16 A	16 A



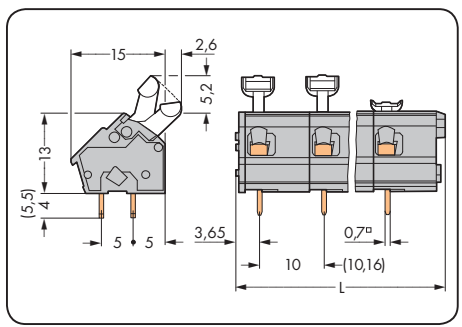
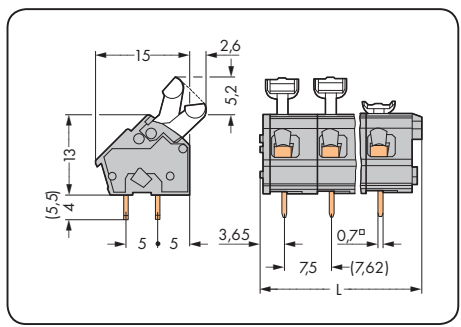
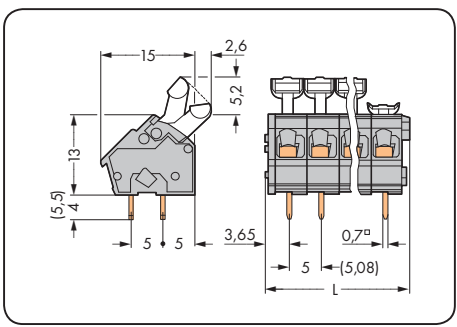
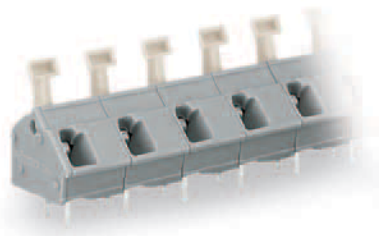
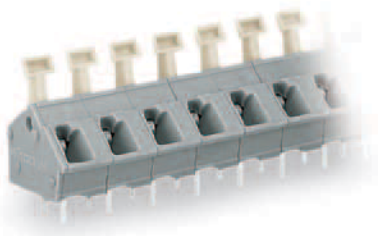
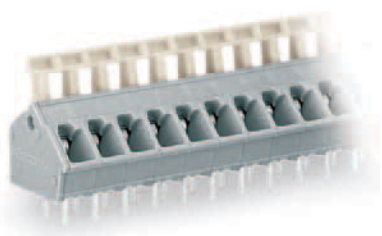
**256 Series accessories:**

**Page:**

Marking accessories	540 - 543
Operating tools	526 - 528
Commoning strips	67 - 69
Test plug adapter	196

# PCB Terminal Strips with Push-Buttons 2.5 mm<sup>2</sup>

Pin spacing 5/5.08 mm / 0.2 in		Pin spacing 7.5/7.62 mm / 0.3 in		Pin spacing 10/10.16 mm / 0.4 in	
0.08 – 2.5 mm <sup>2</sup>	AWG 28 – 12	0.08 – 2.5 mm <sup>2</sup>	AWG 28 – 12	0.08 – 2.5 mm <sup>2</sup>	AWG 28 – 12
320 V/4 kV/2 24 A	300 V/10 A	320 V/4 kV/2 24 A	300 V/10 A	630 V/6 kV/2 24 A	300 V/10 A



$L = (\text{pole no.} \times \text{pin spacing}) + 2.9 \text{ mm}$

Pole No.	Item No.	Pack. Unit	Pole No.	Item No.	Pack. Unit	Pole No.	Item No.	Pack. Unit
Terminal strip with push-buttons, 2 solder pins/pole, gray			Terminal strip with push-buttons, 2 solder pins/pole, gray			Terminal strip with push-buttons, 2 solder pins/pole, gray		
2	256-402	400 (4 x 100)	2	256-502	280 (4 x 70)	2	256-602	200 (4 x 50)
3	256-403	280 (4 x 70)	3	256-503	180 (4 x 45)	3	256-603	140 (4 x 35)
4	256-404	200 (4 x 50)	4	256-504	140 (4 x 35)	4	256-604	100 (4 x 25)
5	256-405	160 (4 x 40)	5	256-505	120 (4 x 30)	5	256-605	80 (4 x 20)
6	256-406	140 (4 x 35)	6	256-506	100 (4 x 25)	6	256-606	60 (4 x 15)
7	256-407	120 (4 x 30)	7	256-507	80 (4 x 20)	7	256-607	60 (4 x 15)
8	256-408	100 (4 x 25)	8	256-508	60 (4 x 15)	8	256-608	60 (4 x 15)
9	256-409	100 (4 x 25)	9	256-509	60 (4 x 15)	9	256-609	40 (4 x 10)
10	256-410	80 (4 x 20)	10	256-510	60 (4 x 15)	10	256-610	40 (4 x 10)
12	256-412	60 (4 x 15)	12	256-512	40 (4 x 10)	12	256-612	40 (4 x 10)
16	256-416	60 (4 x 15)	16	256-516	40 (4 x 10)	16	256-616	20 (4 x 5)
24	256-424	40 (4 x 10)	24	256-524	20 (4 x 5)	24	256-624	20 (4 x 5)
36	256-436	20 (4 x 5)						
48	256-448	20 (4 x 5)						

Item no. suffix for terminal strips with 5.5 mm long solder pins: . . . . . /332-000  
 Item no. suffix for terminal strips with 3.6 mm long solder pins: . . . . . /334-000

Item no. suffixes for Ex e II and Ex i applications:

○ Ex e II	. . . . . /000-009/999-950	Ordering example: Terminal strip, 10/10.16 mm pin spacing, 10-pole, Ex e II: <b>256-610/000-009/999-950</b>
● Ex i	. . . . . /000-006 (only for 7.5/7.62 mm and 10/10.16 mm pin spacing)	

Item no. suffixes for colored terminal strips: (Production and prices depend on quantity required)

● red	. . . . . /000-005	Ordering example: Terminal strip, 5/5.08 mm pin spacing, 8-pole, orange: <b>256-408/000-012</b>
● blue	. . . . . /000-006	
● dark gray	. . . . . /000-008	
○ light gray	. . . . . /000-009	
● orange	. . . . . /000-012	
● light green	. . . . . /000-017	



Please contact factory for other lengths, colors, mixed-color terminal strips, or direct marking.