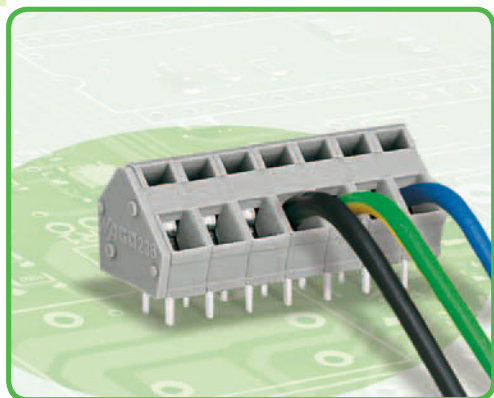


PCB Terminal Strips 2.5 mm² Pin Spacing 5/5.08 mm, 7.5/7.62 mm, 10/10.16 mm 236 Series



- Terminal strips with CAGE CLAMP® connection, screwdriver actuation parallel or perpendicular to conductor entry
- versions with Ex e (increased safety) approval
- Mixed-color terminal strips from factory
- Operating tools for factory wiring
- 45° conductor entry angle provides a wide variety of applications and wiring options
- Set to metric or inch pin spacing by compressing terminal strips together or pulling them apart

Technical data:

Pin Spacing	5/5.08 mm 0.2 in			7.5/7.62 mm 0.3 in			10/10.16 mm 0.4 in		
Rating per	IEC/EN 60664-1			IEC/EN 60664-1			IEC/EN 60664-1		
Overtoltage category	III	III	II	III	III	II	III	III	II
Pollution degree	3	2	2	3	2	2	3	2	2
Rated voltage	250 V	320 V	630 V	400 V	630 V	1000 V	630 V	1000 V	1000 V
Rated surge voltage	4 kV	4 kV	4 kV	6 kV	6 kV	6 kV	8 kV	8 kV	8 kV
Nominal current	24 A	24 A	24 A	24 A	24 A	24 A	24 A	24 A	24 A
Approvals per	UL/CSA			UL/CSA			UL/CSA		
Use group UL 1059	B	C	D	B	C	D	B	C	D
Rated voltage	300 V	-	300 V	300 V	-	300 V	300 V	-	300 V
Nominal current UL	15 A	-	10 A	15 A	-	10 A	15 A	-	10 A
Nominal current CSA	15 A	-	10 A	15 A	-	10 A	15 A	-	10 A

Conductor and solder pin data:

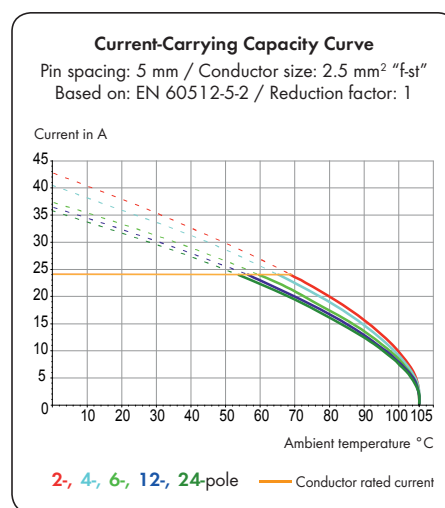
Connection technology	CAGE CLAMP®
Conductor size: solid	0.08 - 2.5 mm ²
Conductor size: fine-stranded	0.08 - 2.5 mm ²
Conductor size: fine-stranded	0.25 - 1.5 mm ² (with insulated ferrule)
Conductor size: fine-stranded	0.25 - 1.5 mm ² (with uninsulated ferrule)
AWG	28 - 12 (12: THHN, THWN)
Strip length	5 - 6 mm / 0.20 - 0.24 in
Conductor entry angle	45° to PCB
Solder pin: length/width	4 (3.6; 5.5) mm / 0.7 x 0.7 mm
Solder pin: drilled hole diameter	1.1 ^{+0.1} mm

Material data:

Material group	I
Insulating material	Nylon 6.6 (PA 6.6)
Flammability rating per UL 94	V0
Lower/Upper temperature limit	-60°C / +105°C
Clamping spring material	Chrome-nickel spring steel (CrNi)
Contact material	Electrolytic copper (E _{cu})
Contact plating	tin-plated

Technical data for Ex e II () versions:

Pin Spacing	5/5.08 mm 0.2 in	7.5/7.62 mm 0.3 in	10/10.16 mm 0.4 in
Rating per	ATEX: PTB 06 ATEX 1061 U		IECEx: PTB 06.0042 U
Rated voltage	176 V	275 V	440 V
Nominal current	16 A	16 A	16 A

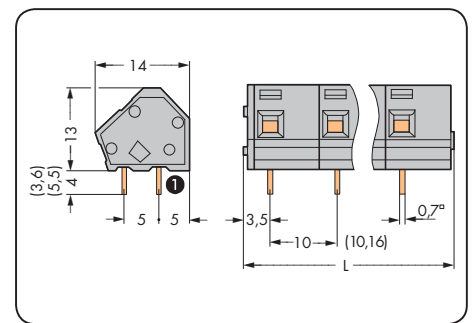
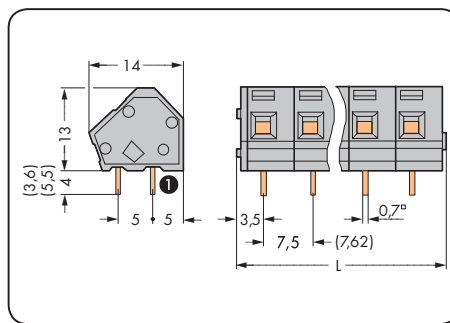
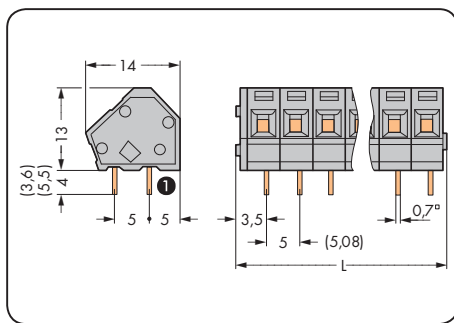
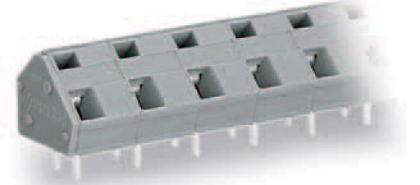
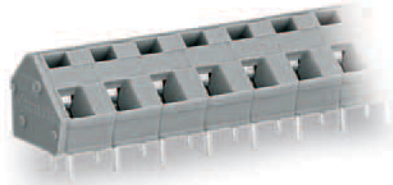
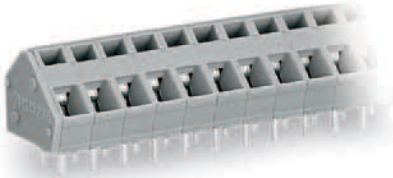


236 Series accessories:

Page:

Marking accessories	540 - 543
Operating tools	526 - 528
Commoning strips	67 - 69
Test plug modules	198

Pin spacing 5/5.08 mm / 0.2 in		Pin spacing 7.5/7.62 mm / 0.3 in		Pin spacing 10/10.16 mm / 0.4 in	
0.08 – 2.5 mm ² 320 V/4 kV/2 24 A	AWG 28 – 12 300 V/10 A	0.08 – 2.5 mm ² 630 V/6 kV/2 24 A	AWG 28 – 12 300 V/10 A	0.08 – 2.5 mm ² 1000 V/8 kV/2 24 A	AWG 28 – 12 300 V/10 A



L = (pole no. x pin spacing) + 2.3 mm

① Solder pin position for modular terminal block with 1 solder pin (rear side)

Pole No.	Item No.	Item No.	Pack. Unit	Pole No.	Item No.	Item No.	Pack. Unit	Pole No.	Item No.	Item No.	Pack. Unit
Terminal strip, 2 solder pins/pole, gray				Terminal strip, 2 solder pins/pole, gray				Terminal strip, 2 solder pins/pole, gray			
1 solder pin/pole		2 solder pins/pole		1 solder pin/pole		2 solder pins/pole		1 solder pin/pole		2 solder pins/pole	
2	236-102	236-402	420 (4 x 105)	2	236-202	236-502	280 (4 x 70)	2	236-302	236-602	200 (4 x 50)
3	236-103	236-403	280 (4 x 70)	3	236-203	236-503	200 (4 x 50)	3	236-303	236-603	140 (4 x 35)
4	236-104	236-404	220 (4 x 55)	4	236-204	236-504	140 (4 x 35)	4	236-304	236-604	100 (4 x 25)
6	236-106	236-406	140 (4 x 35)	6	236-206	236-506	100 (4 x 25)	6	236-306	236-606	80 (4 x 20)
8	236-108	236-408	100 (4 x 25)	8	236-208	236-508	80 (4 x 20)	8	236-308	236-608	60 (4 x 15)
12	236-112	236-412	80 (4 x 20)	12	236-212	236-512	40 (4 x 10)	12	236-312	236-612	40 (4 x 10)
16	236-116	236-416	60 (4 x 15)	16	236-216	236-516	40 (4 x 10)	16	236-316	236-616	20 (4 x 5)
24	236-124	236-424	40 (4 x 10)	24	236-224	236-524	20 (4 x 5)	24	236-324	236-624	20 (4 x 5)
36	236-136	236-436	20 (4 x 5)								
48	236-148	236-448	20 (4 x 5)								
Item no. suffix for 2 solder pins/pole with 3.6 mm long solder pins: /334-000											
Item no. suffix for 2 solder pins/pole with 5.5 mm long solder pins: /332-000											

Item no. suffixes for Ex e II and Ex i applications:

○ Ex e II /000-009/999-950 (Ex e II only for PCB Terminal Strips with 2 solder pins/pole)	Ordering example: Terminal strip, 10/10.16 mm pin spacing, 8-pole, Ex e II: 236-608/000-009/999-950
① Ex i /000-006 (only for 7.5/7.62 mm and 10/10.16 mm pin spacing)	

Item no. suffixes for colored terminal strips: (Production and prices depend on quantity required)

● black /000-004	Ordering example: Terminal strip, 5/5.08 mm pin spacing, 2 solder pins/pole 8-pole, orange: 236-408/000-012
① blue /000-006	
● dark gray /000-008	
○ light gray /000-009	
● orange /000-012	
● light green /000-017	
● green /000-023	

