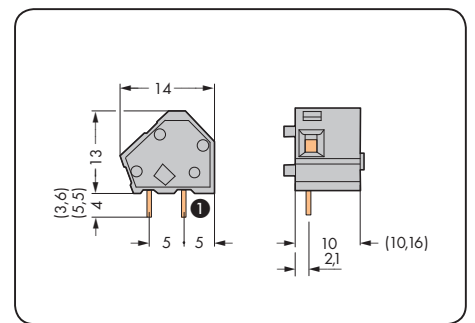
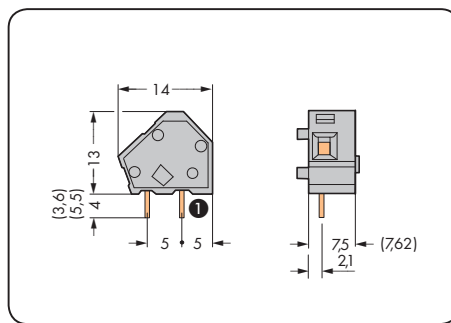
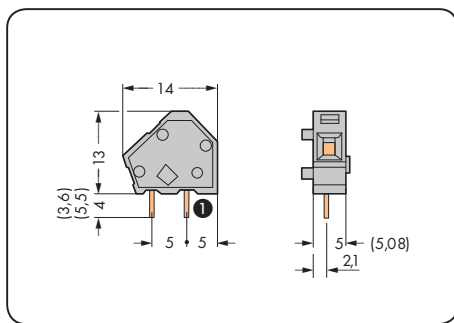


# Modular PCB Terminal Blocks 2.5 mm<sup>2</sup>

CAGE CLAMP®

Pin spacing 5/5.08 mm / 0.2 in		Pin spacing 7.5/7.62 mm / 0.3 in		Pin spacing 10/10.16 mm / 0.4 in	
0.08 - 2.5 mm <sup>2</sup> 320 V/4 kV/2 24 A	AWG 28 - 12 300 V/10 A	0.08 - 2.5 mm <sup>2</sup> 630 V/6 kV/2 24 A	AWG 28 - 12 300 V/10 A	0.08 - 2.5 mm <sup>2</sup> 1000 V/8 kV/2 24 A	AWG 28 - 12 300 V/10 A



① Solder pin position for modular terminal block with one solder pin (rear side)

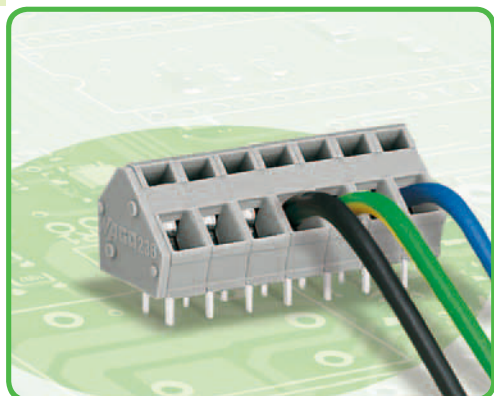
Color	Item No.	Item No.	Pack. Unit	Color	Item No.	Item No.	Pack. Unit	Color	Item No.	Item No.	Pack. Unit
<b>Modular terminal block</b>				<b>Modular terminal block</b>				<b>Modular terminal block</b>			
1 solder pin/pole		2 solder pins/pole		1 solder pin/pole		2 solder pins/pole		1 solder pin/pole		2 solder pins/pole	
gray	236-101	236-401	600 (6 x 100)	gray	236-201	236-501	400 (4 x 100)	gray	236-301	236-601	300 (3 x 100)
red	236-710	236-740	600 (6 x 100)	dark gray	236-722	236-752	400 (4 x 100)	dark gray	236-732	236-762	300 (3 x 100)
yellow	236-711	236-741	600 (6 x 100)	light gray	236-723	236-753	400 (4 x 100)	light gray	236-733	236-763	300 (3 x 100)
dark gray	236-712	236-742	600 (6 x 100)	① blue	236-724	236-754	400 (4 x 100)	① blue	236-734	236-764	300 (3 x 100)
light gray	236-713	236-743	600 (6 x 100)	green	236-725	236-755	400 (4 x 100)	green	236-735	236-765	300 (3 x 100)
blue	236-714	236-744	600 (6 x 100)	orange	236-726	236-756	400 (4 x 100)	orange	236-736	236-766	300 (3 x 100)
green	236-715	236-745	600 (6 x 100)	light green	236-727	236-757	400 (4 x 100)	light green	236-737	236-767	300 (3 x 100)
orange	236-716	236-746	600 (6 x 100)	black	236-855	236-852	400 (4 x 100)	black	236-856	236-853	300 (3 x 100)
light green	236-717	236-747	600 (6 x 100)	brown	236-885	236-882	400 (4 x 100)				
purple	236-894	236-891	600 (6 x 100)								
black	236-854	236-851	600 (6 x 100)								
brown	236-884	236-881	600 (6 x 100)								
Ex e II	236-743/999-950			Ex e II	236-753/999-950			Ex e II	236-763/999-950		
				① Suitable for Ex i applications				① Suitable for Ex i applications			
Item no. suffix for 2 solder pins/pole with 3.6 mm long solder pins: . . . . . /334-000											
Item no. suffix for 2 solder pins/pole with 5.5 mm long solder pins: . . . . . /332-000											

End plates for 236 Series, snap-on type, 1 mm/0.039 in thick	Color	Item No.	Pack. Unit
	gray	236-100	100
	dark gray	236-200	100
	light gray	236-300	100
	blue	236-400	100
	green	236-500	100
	orange	236-600	100
	light green	236-700	100
	red	236-800	100
black	236-850	100	

For other colors, please contact factory.



# PCB Terminal Strips 2.5 mm<sup>2</sup> Pin Spacing 5/5.08 mm, 7.5/7.62 mm, 10/10.16 mm 236 Series



- Terminal strips with CAGE CLAMP® connection, screwdriver actuation parallel or perpendicular to conductor entry
- Ex versions with Ex e (increased safety) approval
- Mixed-color terminal strips from factory
- Operating tools for factory wiring
- 45° conductor entry angle provides a wide variety of applications and wiring options
- Set to metric or inch pin spacing by compressing terminal strips together or pulling them apart

### Technical data:

Pin Spacing	5/5.08 mm 0.2 in			7.5/7.62 mm 0.3 in			10/10.16 mm 0.4 in		
Rating per	IEC/EN 60664-1			IEC/EN 60664-1			IEC/EN 60664-1		
Overtoltage category	III	III	II	III	III	II	III	III	II
Pollution degree	3	2	2	3	2	2	3	2	2
Rated voltage	250 V	320 V	630 V	400 V	630 V	1000 V	630 V	1000 V	1000 V
Rated surge voltage	4 kV	4 kV	4 kV	6 kV	6 kV	6 kV	8 kV	8 kV	8 kV
Nominal current	24 A	24 A	24 A	24 A	24 A	24 A	24 A	24 A	24 A
Approvals per	UL/CSA			UL/CSA			UL/CSA		
Use group UL 1059	B	C	D	B	C	D	B	C	D
Rated voltage	300 V	-	300 V	300 V	-	300 V	300 V	-	300 V
Nominal current UL	15 A	-	10 A	15 A	-	10 A	15 A	-	10 A
Nominal current CSA	15 A	-	10 A	15 A	-	10 A	15 A	-	10 A

### Conductor and solder pin data:

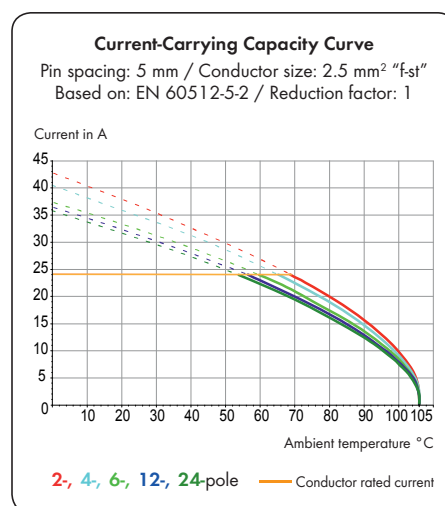
Connection technology	CAGE CLAMP®
Conductor size: solid	0.08 - 2.5 mm <sup>2</sup>
Conductor size: fine-stranded	0.08 - 2.5 mm <sup>2</sup>
Conductor size: fine-stranded	0.25 - 1.5 mm <sup>2</sup> (with insulated ferrule)
Conductor size: fine-stranded	0.25 - 1.5 mm <sup>2</sup> (with uninsulated ferrule)
AWG	28 - 12 (12: THHN, THWN)
Strip length	5 - 6 mm / 0.20 - 0.24 in
Conductor entry angle	45° to PCB
Solder pin: length/width	4 (3.6; 5.5) mm / 0.7 x 0.7 mm
Solder pin: drilled hole diameter	1.1 <sup>+0.1</sup> mm

### Material data:

Material group	I
Insulating material	Nylon 6.6 (PA 6.6)
Flammability rating per UL 94	V0
Lower/Upper temperature limit	-60°C / +105°C
Clamping spring material	Chrome-nickel spring steel (CrNi)
Contact material	Electrolytic copper (E <sub>cu</sub> )
Contact plating	tin-plated

### Technical data for Ex e II (Ex) versions:

Pin Spacing	5/5.08 mm 0.2 in	7.5/7.62 mm 0.3 in	10/10.16 mm 0.4 in
Rating per	ATEX: PTB 06 ATEX 1061 U		IECEx: PTB 06.0042 U
Rated voltage	176 V	275 V	440 V
Nominal current	16 A	16 A	16 A



### 236 Series accessories:

Page:

Marking accessories	540 - 543
Operating tools	526 - 528
Commoning strips	67 - 69
Test plug modules	198