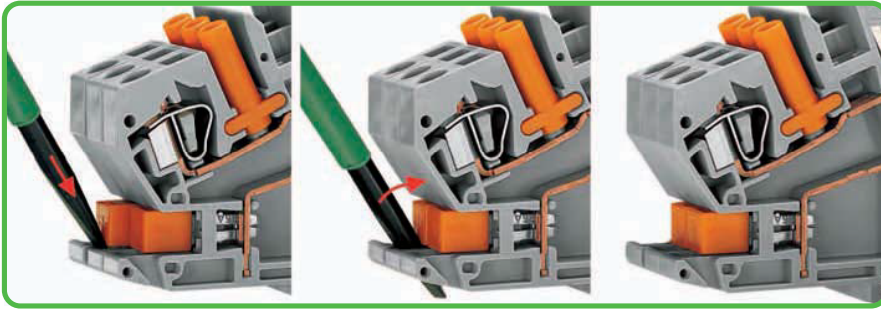


Disconnect Terminal Blocks for Test and Measurement of Transformer Circuits, 282 Series

Preparing the shorting path for the current transformer

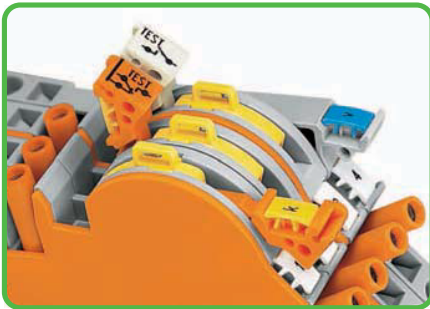


Insertion of insulated, touchproof adjacent jumpers into the protected shorting position.



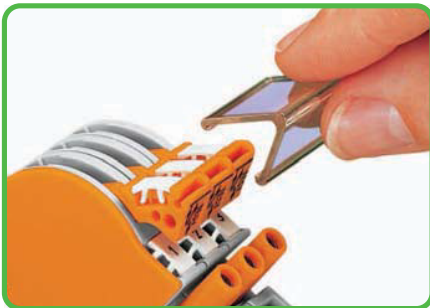
Terminal strip permanently prepared for current transformer circuits.

Lock-out

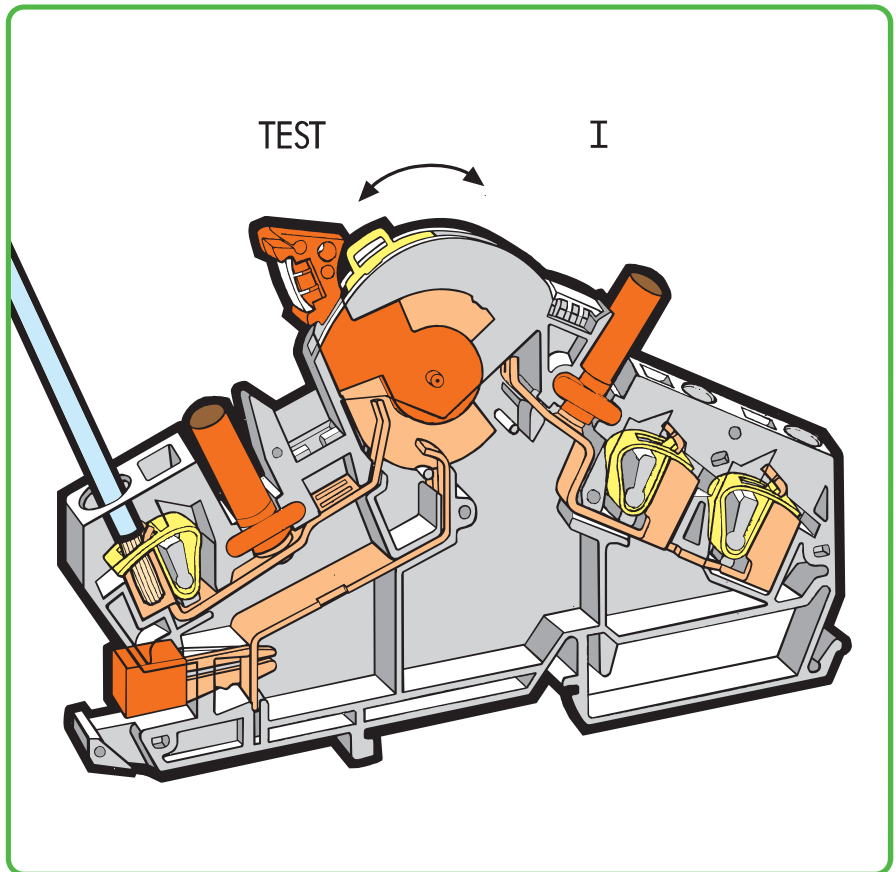


Lock-out has "snap" action into two notched positions preventing accidental operation of the disconnect link.

Locking cover for disconnect links



Transparent locking cover for 1 - 4 disconnect links can be snapped on
a) for mechanical interlocking for multipole switching
b) for protecting markers.

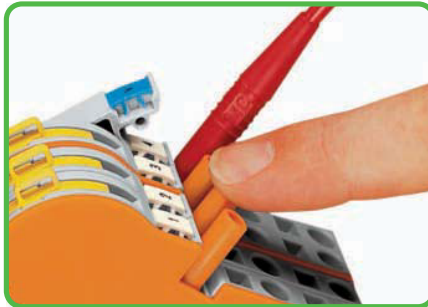


Interlocking link



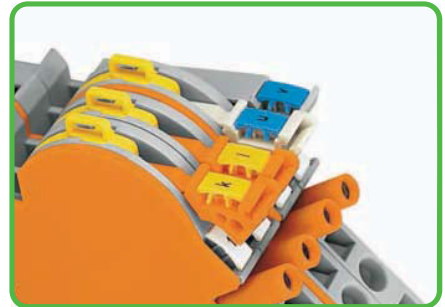
Interlocking link for mechanical interlocking of several links for multipole switching.

Touch-proof test sockets

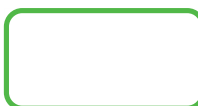


For touch-proof test sockets 4 mm Ø, for example mfd by Multi-Contact (not offered by WAGO).

Marking

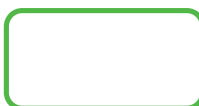


Marking with WMB Multi marking system. For other systems, see Section 13.

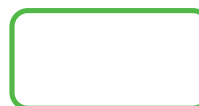


CAGE CLAMP® clamps the following copper conductors:*

solid



stranded

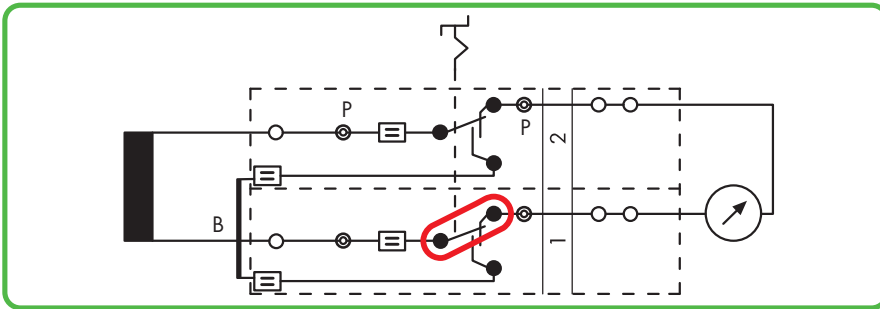


fine-stranded, also with tinned single strands

* For aluminum conductors, see notes in Section 14.

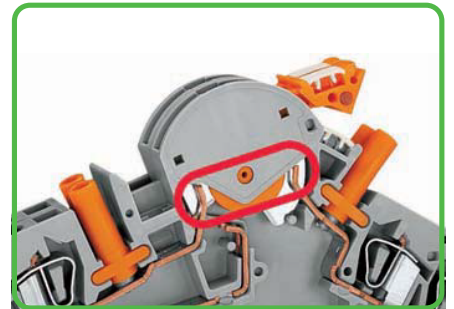
- Description and Handling -

Disconnect link in notched position "I"

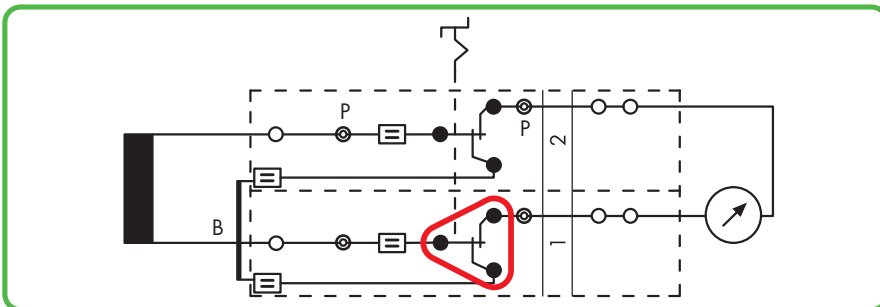


In position "I", the measuring instrument is connected to the transformer secondary.

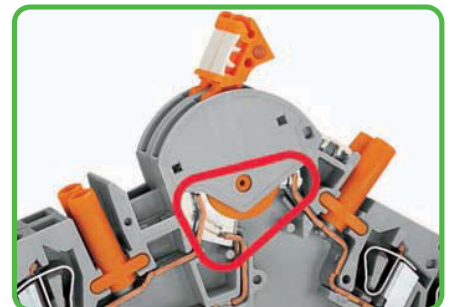
B = shorting jumper, P = test socket



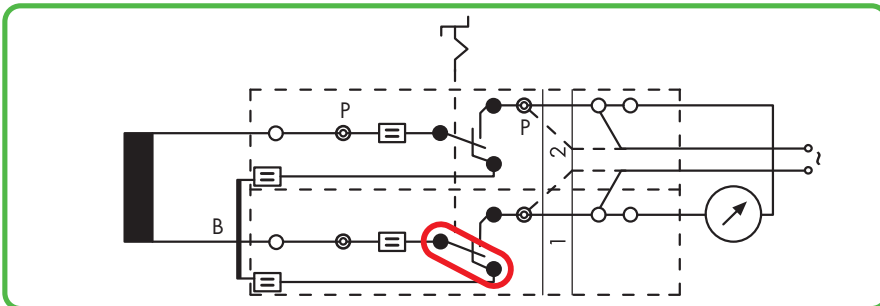
Disconnect link in transition from "I" -> "TEST" (terminal blocks 1 + 2)



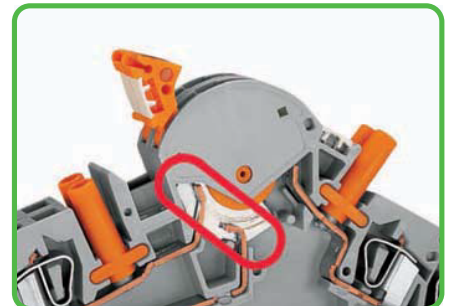
By moving the interlocked disconnect links from "I" to "TEST" the shorting path is activated without disconnection of the measuring instrument yet.



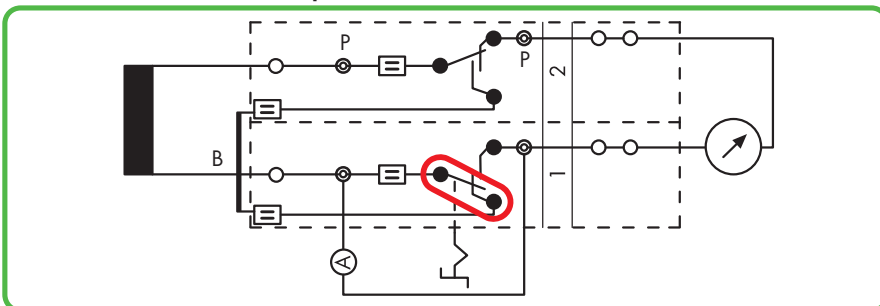
Disconnect link in notched position "TEST" (terminal blocks 1 + 2)



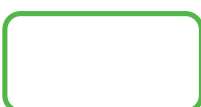
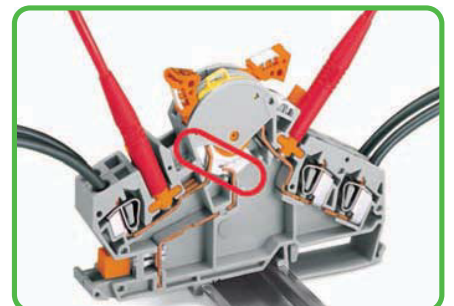
The measuring instrument is electrically disconnected from the transformer. In this position, if necessary, external voltage can be applied via sockets, or the 2nd CAGE CLAMP® connection for relay testing in transformer protection circuits.



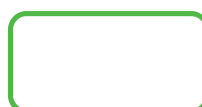
Disconnect link in notched position "I" (terminal block 2) Disconnect link in notched position "TEST" (terminal block 1)



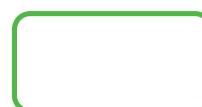
Measurement testing. Before moving the disconnect link of terminal block 1 into the notched position "TEST", the reference current meter must be inserted into the test socket of terminal block 1.



fine-stranded,
tip-bonded



fine-stranded,
with ferrule ①
(gas-tight crimped)



fine-stranded,
with pin terminal
(gas-tight crimped)

① When using ferrules, the max. conductor cross section accommodated is one size smaller than max. rating of terminal block.

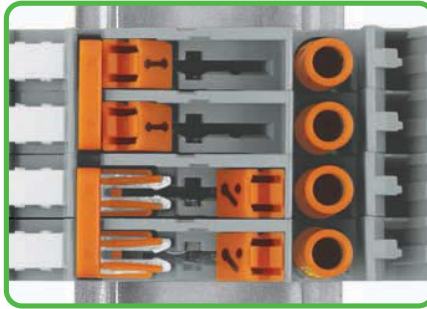
Transverse Switching Terminal Blocks and Longitudinal Switching Disconnect Terminal Blocks, 282 Series – Description and Handling –

Commoning



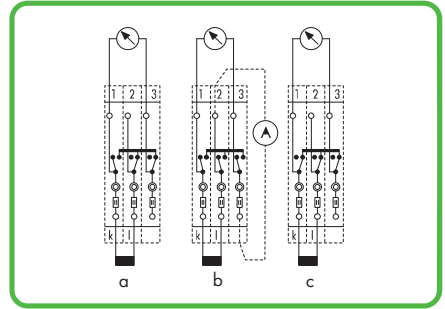
Transverse switching terminal blocks
Left: Adjacent jumper for commoning of switch lever
Right: Commoning with orange jumper

Switch positions



Left: closed
Right: open

Current transformer circuit

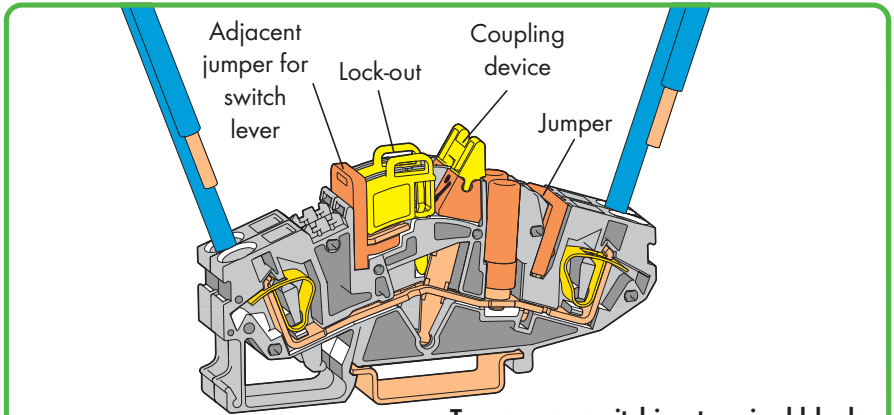


via transverse switching terminal blocks
a = Normal operation b = Measurement testing
c = Transformer short-circuit

Testing



Testing with touch-proof test sockets 4 mm Ø.
(not offered by WAGO)
e.g., mfd by Multi-Contact Deutschland GmbH

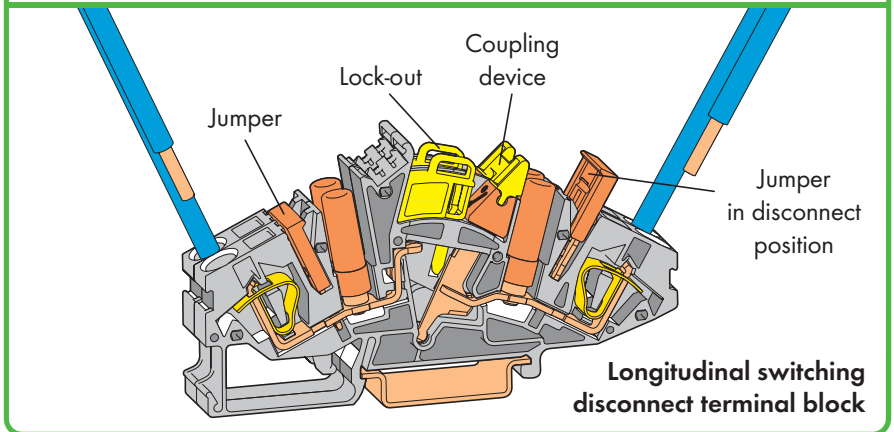


Transverse switching terminal block

CAGE CLAMP® connection

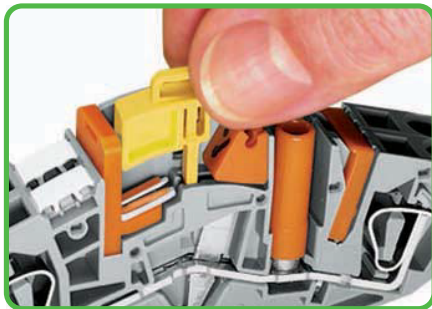


Conductor termination



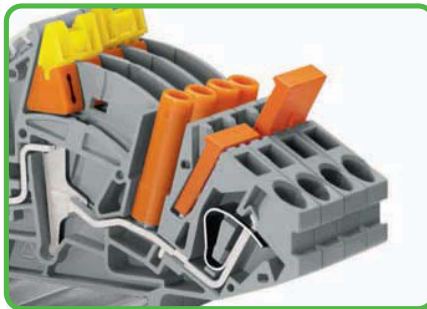
Longitudinal switching disconnect terminal block

Lock-out



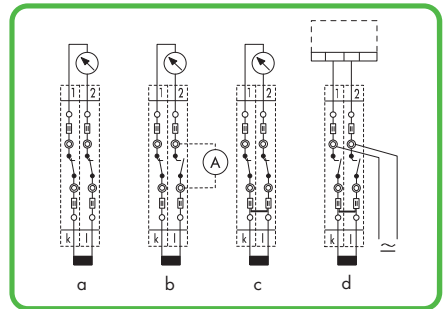
Inserting lock-out.

Commoning



Longitudinal switching disconnect terminal blocks

Current transformer circuit



via longitudinal switching disconnect terminal blocks
a = Normal operation b = Measurement testing
c = Transformer short-circuit d = Relay test

CAGE CLAMP® clamps the following copper conductors:*

solid stranded

fine-stranded,
also with tinned
single strands

fine-stranded,
tip-bonded

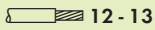
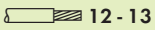
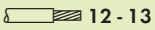
fine-stranded,
with ferrule ❶
(gastight crimped)

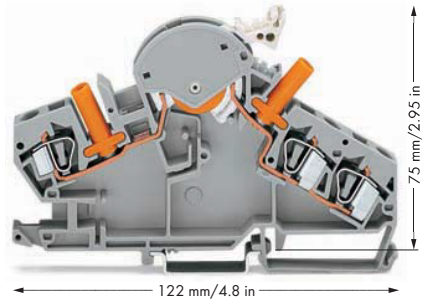
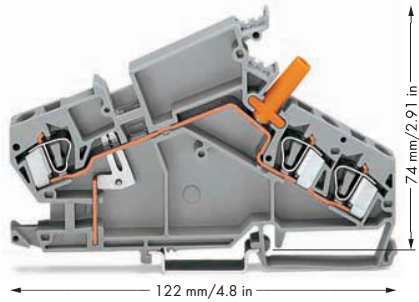
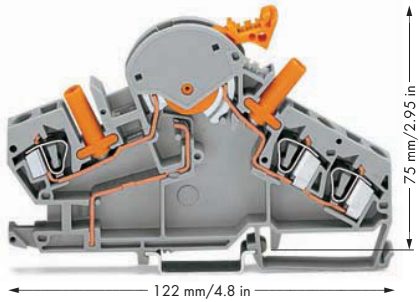
fine-stranded,
with pin terminal
(gastight crimped)





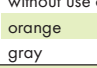

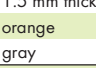

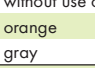

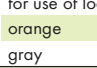


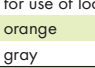









* For aluminum conductors, see notes in Section 14.

❶ When using ferrules, the max. conductor cross section accommodated is one size smaller than max. rating of terminal block.

Disconnect Terminal Blocks for Test and Measurement, 6 mm²/30 A, Through Terminal Blocks for Current and Voltage Transformer Circuits 282 Series

0.2 - 6 mm ² 500 V/6 kV/3 ① I _N 30 A	AWG 24 - 10 600 V, 30 A ② 300 V, 5 A ③	0.2 - 6 mm ² 500 V/6 kV/3 ① I _N 30 A	AWG 24 - 10 600 V, 30 A ② 300 V, 5 A ③	0.2 - 6 mm ² 500 V/6 kV/3 ① I _N 30 A	AWG 24 - 10 600 V, 30 A ② 300 V, 5 A ③
Terminal block width 8 mm / 0.315 in  12 - 13 mm / 0.49 in ②		Terminal block width 8 mm / 0.315 in  12 - 13 mm / 0.49 in ②		Terminal block width 8 mm / 0.315 in  12 - 13 mm / 0.49 in ②	



Item No.	Pack. Unit	Item No.	Pack. Unit	Item No.	Pack. Unit
Disconnect terminal block for test and measurement , e.g., current transformer circuits, with touch-proof test sockets, orange disconnect link  gray 282-870 ③ ④ 20		Through terminal block , e.g., current transformer circuits, with touch-proof test socket  gray 282-865 ④ 20		Disconnect terminal block for test and measurement , e.g., voltage transformer circuits, with touch-proof test sockets, light gray disconnect link  gray 282-860 ③ ④ 20	
Item-Specific Accessories		Item-Specific Accessories		Item-Specific Accessories	
End and separator plate , 1.5 mm thick, without use of lock-out seal  orange 282-386 50 (5x10)  gray 282-391 50 (5x10)		End and separator plate , 1.5 mm thick  orange 282-385 50 (5x10)  gray 282-390 50 (5x10)		End and separator plate , 1.5 mm thick, without use of lock-out seal  orange 282-386 50 (5x10)  gray 282-391 50 (5x10)	
End and separator plate , 1.5 mm thick, for use of lock-out seal  orange 282-387 50 (5x10)  gray 282-392 50 (5x10)		WMB Multi marking system , 10 strips with 10 markers per card, for terminal widths 5 - 17.5 mm, yellow  k/1 (50x) 794-5553/000-002 5		End and separator plate , 1.5 mm thick, for use of lock-out seal  orange 282-387 50 (5x10)  gray 282-392 50 (5x10)	
Lock-out , for disconnect link  yellow 282-384 100 (5x20)				Lock-out , for disconnect link  yellow 282-384 100 (5x20)	
Locking cover , transparent, mechanically locks multiple links  1-pole 282-881 50 (5x10) 2-pole 282-882 50 (5x10) 3-pole 282-883 50 (5x10) 4-pole 282-884 50 (5x10) 5-pole 282-885 50 (5x10) 6-pole 282-886 50 (5x10) 7-pole 282-887 50 (5x10) 8-pole 282-888 50 (5x10)				Locking cover , transparent, mechanically locks multiple links  1-pole 282-881 50 (5x10) 2-pole 282-882 50 (5x10) 3-pole 282-883 50 (5x10) 4-pole 282-884 50 (5x10) 5-pole 282-885 50 (5x10) 6-pole 282-886 50 (5x10) 7-pole 282-887 50 (5x10) 8-pole 282-888 50 (5x10)	
Interlocking link , mechanically locks multiple links, 1 m/3'3" long, transparent  transparent 210-254 1				Interlocking link , mechanically locks multiple links, 1 m/3'3" long, transparent  transparent 210-254 1	
Adjacent jumper , insulated, I _N 41 A, orange  orange 282-424 100 (4x25)				WMB Multi marking system , 10 strips with 10 markers per card, for terminal widths 5 - 17.5 mm, blue  U/V (50x) 794-5554/000-006 5	
WMB Multi marking system , 10 strips with 10 markers per card, for terminal widths 5 - 17.5 mm, yellow  k/1 (50x) 794-5553/000-002 5					

For list of approvals and user guide, see pages 634 to 637.