

Ferrule - AI 0,5 - 8 WH-B - 3201369

Please be informed that the data shown in this PDF Document is generated from our Online Catalog. Please find the complete data in the user's documentation. Our General Terms of Use for Downloads are valid (<http://download.phoenixcontact.com>)



Ferrules, 0.5 mm², taped, sleeve length: 8 mm, with plastic collar, galvanically tin-plated, color: white, color range according to DIN 46228-4, CSA-certified

The illustration shows version AI 1,5 - 8 in red

Product Features

- ✓ The taped ferrules were developed specifically for the crimping machine CF 3000 -2,5
- ✓ Available in the main color ranges up to 2.5 mm²
- ✓ Can be used to wire all modular terminal blocks, especially those of the CLIPLINE complete system

Key commercial data

package_quantity	1000
GTIN	4017918094867

Technical data

Dimensions

Length (b)	14 mm
Maximum stripping length	11 mm
Sleeve length	8 mm
Inner dimension of the insulating collar (d)	2.5 mm
Ferrule diameter	1.1 mm
Insulating collar thickness	0.25 mm
Sleeve wall thickness	0.15 mm

Ambient conditions

Short-term temperature	120 °C
Max. permanent temperature	105 °C

General

Color	white
Components	free from silicone and halogen
Inflammability class according to UL 94	HB
Material	E-CU

Ferrule - Al 0,5 - 8 WH-B - 3201369

classifications

eCl@ss

eCl@ss 4.0	27060701
eCl@ss 4.1	27060701
eCl@ss 5.0	27400201
eCl@ss 5.1	27400201
eCl@ss 6.0	27400201
eCl@ss 7.0	27400201
eCl@ss 8.0	27400201

ETIM

ETIM 2.0	EC000005
ETIM 3.0	EC000005
ETIM 4.0	EC000005
ETIM 5.0	EC000005


UNSPSC

UNSPSC 6.01	30212109
UNSPSC 7.0901	27121703
UNSPSC 11	27121703
UNSPSC 12.01	27121703
UNSPSC 13.2	27121703

approvals

CSA / CSAus / cCSAus /

Approval details

	
Nominal voltage UN	
Nominal current IN	
mm ² /AWG/kcmil	

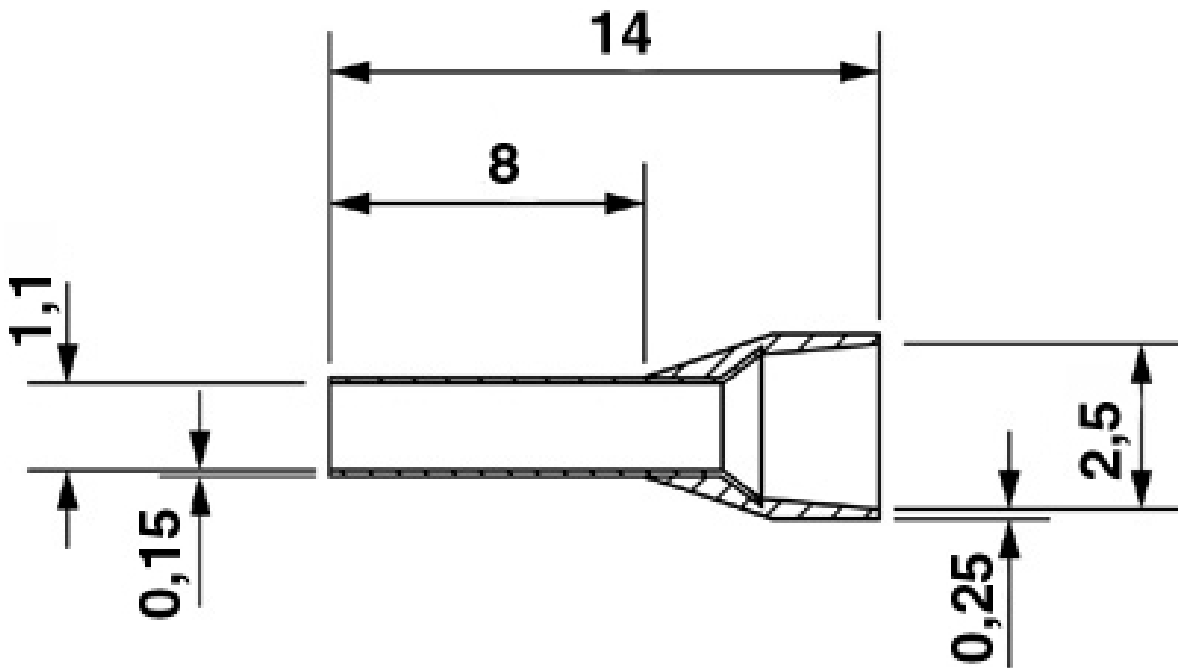
CSAus	
Nominal voltage UN	
Nominal current IN	
mm ² /AWG/kcmil	

cCSAus

Ferrule - Al 0,5 - 8 WH-B - 3201369

Drawings

Dimensioned drawing



© Phoenix Contact 2014 - all rights reserved
<http://www.phoenixcontact.com>