

# Pre-insulated Terminals



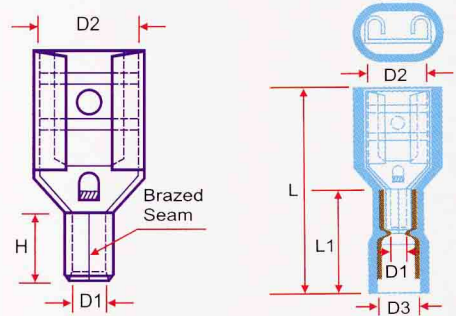
## Fully Insulated Female Push-on

Wire Range mm <sup>2</sup> (AWG)	Part No.	Dimensions mm							Tab Size
		D1	D2	D3	H	L	L1		
1.8 (16 - 14)	28RFPT	1.8	3.2	4.3	5.5	20.0	10.0	2.8 x 0.5	
	28RFPTX	1.8	3.5	4.3	5.5	20.0	10.0	2.8 x 0.8	
	48RFPT	1.8	5.5	4.3	5.5	20.0	10.0	4.8 x 0.5	
0.5-1.5 (22 - 16)	48RFPTX	1.8	5.5	4.3	5.5	20.0	10.0	4.8 x 0.8	
	63RFPT	1.8	6.6	4.3	5.5	21.5	10.5	6.3 x 0.8	
1.5-2.5 (16 - 14)	48BFPT	2.3	5.0	4.8	5.5	20.0	10.0	4.8 x 0.5	
	48BFPTX	2.3	5.0	4.8	5.5	20.0	10.0	4.8 x 0.8	
	63BFPT	2.3	6.6	4.8	5.5	21.5	10.5	6.3 x 0.8	
4-6 (12 - 10)	63YFPT	3.5	6.6	6.0	6.5	23.5	13.7	6.3 x 0.8	
	95YFPT	3.5	10.0	6.0	6.5	30.0	13.7	9.5 x 1.2	

Pack Quantity: 100

**Max. elec. rating:** ■ 10 amp  
■ 15 amp  
■ 24 amp  
300 volts 75°C

**Material:** Brass - Tin Plated  
**Insulation:** Nylon  
UL approval E100455  
CSA approval 093995  
RoHS compliant



## Flag Female Push-on

**Material:** Brass - Tin Plated      UL approval E300135  
**Insulation:** Nylon                      CSA approval 093995  
**Max. elec. rating:** 300 volts 75°C      RoHS compliant

Part No.	mm <sup>2</sup>	Tab Size	Amp Rating
63RFPT/RA	0.5-1.5	6.3 x 0.8	10
63BFPT/RA	1.5-2.5	6.3 x 0.8	15

Pack Quantity: 100

