

Pre-insulated Terminals



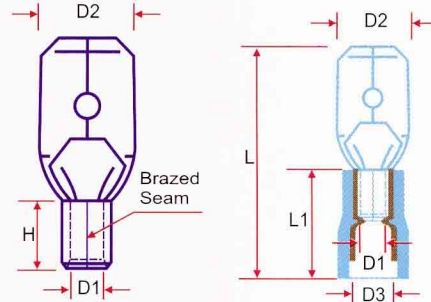
Male Push-on

Wire Range mm ² (AWG)	Part No.	Dimensions mm						
		D1	D2	D3	H	L	L1	Tab Size
0.5-1.5 (22 - 16)	28RMP	1.8	2.8	4.3	5.5	19.6	10.0	2.8 x 0.5
	48RMP	1.8	4.8	4.3	5.5	18.6	10.0	4.8 x 0.5
	63RMP	1.8	6.3	4.3	5.5	21.0	10.0	6.3 x 0.8
1.5-2.5 (16 - 14)	48BMP	2.3	4.8	4.8	5.5	13.8	10.0	4.8 x 0.5
	63BMP	2.3	6.3	4.8	5.5	16.2	10.0	6.3 x 0.8
4-6 (12 - 10)	63YMP	3.5	6.3	6.6	6.5	25.0	13.4	6.3 x 0.8

Pack Quantity: 100

Material: Brass - Tin Plated
Insulation: Polyvinyl Chloride
 UL approval E100455
 CSA approval 093995
 RoHS compliant

Max. elec. rating: ■ 10 amp
 ■ 15 amp
 ■ 24 amp
 300 volts 75°C



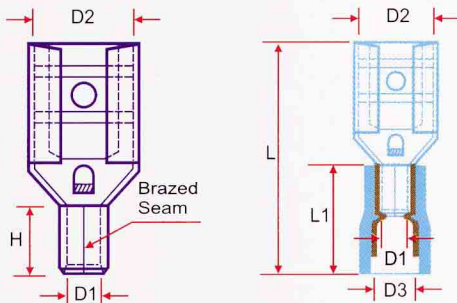
Un-insulated Male Push-on Terminals available on request.



Female Push-on

Material: Brass - Tin Plated
Insulation: Polyvinyl Chloride
 UL approval E100455
 CSA approval 093995
 RoHS compliant

Max. elec. rating: ■ 10 amp
 ■ 15 amp
 ■ 24 amp
 300 volts 75°C



Un-insulated Female Push-on Terminals available on request.



Wire Range mm ² (AWG)	Part No.	Dimensions mm						
		D1	D2	D3	H	L	L1	Tab Size
0.5-1.5 (22 - 16)	28RFP	1.8	3.2	4.3	5.5	19.0	10.0	2.8 x 0.5
	28RFPX	1.8	3.5	4.3	5.5	19.0	10.0	2.8 x 0.8
	48RFP	1.8	5.5	4.3	5.5	19.0	10.0	4.8 x 0.5
1.5-2.5 (16 - 14)	48RFPX	1.8	5.5	4.3	5.5	19.0	10.0	4.8 x 0.8
	63RFP	1.8	6.6	4.3	5.5	20.5	10.0	6.3 x 0.8
4-6 (12 - 10)	28BFP	2.3	4.8	4.8	5.5	13.8	10.0	2.8 x 0.5
	28BFPX	2.3	4.8	4.8	5.5	14.3	10.0	2.8 x 0.8
	48BFP	2.3	5.5	4.8	5.5	19.0	10.0	4.8 x 0.5
4-6 (12 - 10)	48BFPX	2.3	5.5	4.8	5.5	19.0	10.0	4.8 x 0.8
	63BFP	2.3	6.6	4.8	5.5	20.5	10.0	6.3 x 0.8
4-6 (12 - 10)	63YFP	3.5	6.6	6.6	6.5	24.6	13.5	6.3 x 0.8
	95YFP	3.5	10.0	6.6	6.5	24.6	13.7	9.5 x 1.2

Pack Quantity: 100

Pre-insulated Terminals