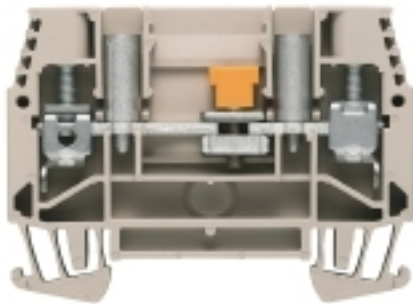


## W-Series WTL 6/1/STB

**Weidmüller Interface GmbH & Co. KG**  
 Klingenbergstraße 16  
 D-32758 Detmold  
 Germany  
 Fon: +49 5231 14-0  
 Fax: +49 5231 14-292083  
 www.weidmueller.com



Special instruments are required for measuring electrical energy. One wrong connection during maintenance work is enough to ruin a current transformer! Disconnect test terminals represent a reliable way of solving this problem. As a leading supplier of line connectors, Weidmüller has developed special disconnect test terminals in close cooperation with users. These modular terminals ensure optimum realisation of all important circuits for the measurement of current, voltage and energy. Different current transformer circuits, e.g. for replacing measuring instruments or electricity meters, can be implemented. Besides disconnect test terminals with screw or tension clamp connections, Weidmüller also has a comprehensive range of accessories, including test adapters, cross-connections and markers for the testing of 3-phase and AC circuits as well as voltages.

### General ordering data

Type	WTL 6/1/STB
Order No.	<a href="#">1016900000</a>
Version	W-Series, Test-disconnect terminal, Rated cross-section: 6 mm <sup>2</sup> , Screw connection
GTIN (EAN)	4008190029715
Qty.	50 pc(s).

## W-Series WTL 6/1/STB

**Weidmüller Interface GmbH & Co. KG**  
 Klingenbergstraße 16  
 D-32758 Detmold  
 Germany  
 Fon: +49 5231 14-0  
 Fax: +49 5231 14-292083  
 www.weidmueller.com

## Technische Daten

### Dimensions and weights

Length	65 mm	Width	7.9 mm
Height of lowest version	48.5 mm	Net weight	23.92 g

### Temperatures

Operating temperature		Storage temperature	
Continuous operating temp., min.	-50 °C	Continuous operating temp., max.	120 °C

### 2 clampable wires (H05V/H07V) same cross-section (rated connection)

Wire connection cross section, finely stranded, two clampable wires, min.	0.5 mm <sup>2</sup>	Wire cross-section, finely stranded, two clampable wires, max.	2.5 mm <sup>2</sup>
Wire connection cross section, finely stranded with wire-end ferrules DIN 46228/1, 2 clampable wires, min.	0.5 mm <sup>2</sup>	Wire connection cross section, finely stranded with wire-end ferrules DIN 46228/1, 2 clampable wires, max.	2.5 mm <sup>2</sup>

### Additional technical data

Explosion-tested version	No	Number of similar terminals	1
Open sides	right	Type of mounting	Snap-on
Version	Screw connection, Disconnection element, with sockets, One end without connector		

### CSA ratings data

Certificate No. (CSA)	200039-1057876	Voltage size C (CSA)	600 V
Current size C (CSA)	45 A	Wire cross section max. (CSA)	8 AWG
Wire cross section min. (CSA)	20 AWG		

### Clampable wires (additional connection)

Conductor cross-section, flexible plus plastic collar DIN 46228/1, further connection, min.	0.5 mm <sup>2</sup>	Conductor cross-section, flexible plus plastic collar DIN 46228/1, further connection, max.	6 mm <sup>2</sup>
---	---------------------	---	-------------------

## W-Series WTL 6/1/STB

**Weidmüller Interface GmbH & Co. KG**  
 Klingenbergstraße 16  
 D-32758 Detmold  
 Germany  
 Fon: +49 5231 14-0  
 Fax: +49 5231 14-292083  
 www.weidmueller.com

## Technische Daten

### Clampable wires (rated connection)

Type of connection	Screw connection	Stripping length	12 mm
Blade size	0.8 x 4.0 mm	Connection direction	on side
Number of connections	2	Clamping range, rated connection, min.	0.5 mm <sup>2</sup>
Clamping range, rated connection, max.	10 mm <sup>2</sup>	Clamping screw	M 3.5
Tightening torque, min.	1 Nm	Tightening torque, max.	1.6 Nm
Torque level with DMS electric screwdriver	3	Gauge to IEC 60947-1	A5
Wire connection cross section, solid core, max. rated connection	0.5 mm <sup>2</sup>	Wire connection cross section, solid core max. rated connection	10 mm <sup>2</sup>
Wire connection cross section, stranded, rated connection, min.	1.5 mm <sup>2</sup>	Wire connection cross section, stranded, rated connection, max.	10 mm <sup>2</sup>
Wire connection cross section, finely stranded, max.	10 mm <sup>2</sup>	Wire connection cross-section, finely stranded, min.	0.5 mm <sup>2</sup>
Wire connection cross section, finely stranded with wire-end ferrules DIN 46228/1, rated connection, min.	0.5 mm <sup>2</sup>	Wire connection cross section, finely stranded with wire-end ferrules DIN 46228/1, rated connection, max.	6 mm <sup>2</sup>
Cross-section for connected conductor, finely stranded with wire-end ferrules and plastic collars DIN 46228/4, rated connection, min.	0.5 mm <sup>2</sup>	Wire connection cross-section, finely stranded with wire-end ferrules and plastic collars DIN 46228/4, rated connection, max.	6 mm <sup>2</sup>
Wire connection cross section AWG, min.	AWG 20	Wire connection cross section AWG, max.	AWG 8

### Dimensions

TS 35 offset	30 mm
--------------	-------

### Disconnect terminals

Cross-disconnect	sliding	Integral test socket	Yes
Slitting	sliding	Tightening torque, max.	1.6 Nm
Tightening torque, min.	1 Nm	Torque level with DMS electric screwdriver	3

### Rated data

Rated cross-section	6 mm <sup>2</sup>	Rated voltage	630 V
Rated impulse withstand voltage	6 kV	Rated current	41 A
Current at maximum wires	57 A	Pollution severity	3

### UL ratings data

Certificate No. (UR)	E60693	Voltage size C (UR)	300 V
Current size C (UR)	45 A	Conductor size Factory wiring max. (UR)	8 AWG
Conductor size Factory wiring min. (UR)	20 AWG	Conductor size Field wiring max. (UR)	8 AWG

### Material data

Material	Wemid	Colour	Dark Beige
UL 94 flammability rating	V-0		

**Datenblatt**

**W-Series  
WTL 6/1/STB**

**Weidmüller Interface GmbH & Co. KG**  
 Klingenbergstraße 16  
 D-32758 Detmold  
 Germany  
 Fon: +49 5231 14-0  
 Fax: +49 5231 14-292083  
 www.weidmueller.com

**Technische Daten**

**System specifications**

Product family	W-Series	Type of connection	Screw connection
Connection direction	on side	Number of levels	1
Number of connections	2	No. of clamping points per level	2
Levels cross-connected internally	No	Mounting rail	TS 35
End cover plate required	Yes		

**Classifications**

ETIM 3.0	EC000902	UNSPSC	30-21-18-11
eClass 5.1	27-14-11-26	eClass 6.2	27-14-11-26
eClass 7.1	27-14-11-26		

**Product information**

Descriptive text ordering data	TS32 version on request
Descriptive text technical data	Use as 500 V disconnect terminal. Wire connection H07V-K10, H07V-R10 and AWG 8/7 with tightening torque of 1.4 Nm.

**Approvals**

Approvals



ROHS Conform

**Datenblatt**

**W-Series**  
**WTL 6/1/STB**

**Weidmüller Interface GmbH & Co. KG**  
Klingenbergstraße 16  
D-32758 Detmold  
Germany  
Fon: +49 5231 14-0  
Fax: +49 5231 14-292083  
[www.weidmueller.com](http://www.weidmueller.com)

**Zeichnungen**

