

**Industrial Ethernet  
IE-BS-V04P-RJ45-C**

**Weidmüller Interface GmbH & Co. KG**  
Klingenbergstraße 16  
D-32758 Detmold  
Germany  
Fon: +49 5231 14-0  
Fax: +49 5231 14-292083  
www.weidmueller.com



PushPull plug-in connector set according to IEC  
61076-3-106 ver.4 (IEC24702), plastic with RJ45 insert

**General ordering data**

Type	IE-BS-V04P-RJ45-C
Order No.	<a href="#">1963490000</a>
Version	Flange RJ45, IP 67, Version 4, coupling, Cat.6 <sub>A</sub> / Class E <sub>A</sub> (ISO/IEC 11801 2010)
GTIN (EAN)	4032248645589
Qty.	10 pc(s).

## Industrial Ethernet IE-BS-V04P-RJ45-C

**Weidmüller Interface GmbH & Co. KG**  
 Klingenbergstraße 16  
 D-32758 Detmold  
 Germany  
 Fon: +49 5231 14-0  
 Fax: +49 5231 14-292083  
 www.weidmueller.com

## Technische Daten

### Dimensions and weights

Net weight 40.7 g

### Temperatures

Operating temperature -40 °C...+70 °C      Storage temperature  
 Installation temperature

### Downloads

Attestation of conformity ISO/IEC EN & TIA/EIA Screened Class E Category 6, 3 connector permanent link	ac107534.pdf	Attestation of conformity ISO/IEC EN & TIA/EIA Screened Class E Category 6, 4 connector channel	ac107533.pdf
Attestation of conformity ISO/IEC EN & TIA/EIA Screened Class EA Category 6A, 2 connector channel	ac107535.pdf	Attestation of conformity ISO/IEC EN & TIA/EIA Screened Class EA Category 6A, 4 connector channel	z1755b-07-D.pdf
GOST Approval	POCC DE.ME25.B01411.pdf	UL Approval	DUXR.E316369.pdf

### General data

Category	Cat.6 <sub>A</sub> / Class E <sub>A</sub> (ISO/IEC 11801 2010)	Connection 1	RJ45
Connection 2	RJ45	Contact surface	Gold over nickel
Description of article	Version 4, coupling	Housing main material	PA UL 94 V0
Plugging cycles	750	Protection degree	IP 67
Seal material	NBR	Shielding	360° all-round enclosure

### Standards

Connector standard	IEC 61076-3-106 Var. 4, IEC 60603-7-51	Certificate no. (cULus)	E316369
--------------------	---	-------------------------	---------

### Classifications

ETIM 3.0	EC001121	UNSPSC	30-21-18-17
eClass 5.1	27-26-12-03	eClass 6.2	27-26-12-03
eClass 7.1	27-25-05-04		

### Approvals

Approvals



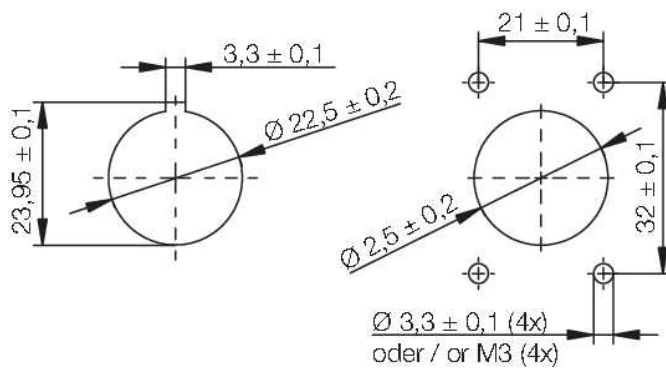
ROHS Conform

**Industrial Ethernet  
IE-BS-V04P-RJ45-C**

**Weidmüller Interface GmbH & Co. KG**  
 Klingenbergstraße 16  
 D-32758 Detmold  
 Germany  
 Fon: +49 5231 14-0  
 Fax: +49 5231 14-292083  
 www.weidmueller.com

**Zeichnungen**

**Installation cut-out**



Mounting cut-out: 1. With central screw connection / 2. For mounting with four M3 screws