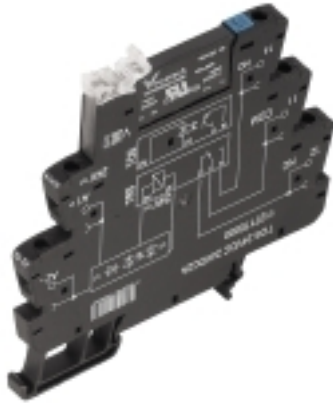


TERMSERIES TOS 24VDC 48VDC0,1A

Weidmüller Interface GmbH & Co. KG
 Klingenbergstraße 16
 D-32758 Detmold
 Germany
 Fon: +49 5231 14-0
 Fax: +49 5231 14-292083
 www.weidmueller.com



TERMSERIES complete solid-state relay modules 3 to 48 V DC 0.1 A output versions consisting of a solid-state relay and a base with AC/DC/UC input; available in different designs:

- With screw connection
- In 6.4 mm width
- Optionally with multiple-voltage input: 24 to 230 V UC
- With various protective circuits in the input (free-wheel diode, RC element)
- Illuminated ejection lever

General ordering data

Type	TOS 24VDC 48VDC0,1A
Order No.	1126940000
Version	TERMSERIES, Solid-state relay, Rated control voltage: 24 V DC $\pm 20\%$, Rated switching voltage: 3... 48 V DC, Rated switching current: 100 mA, Screw connection
GTIN (EAN)	4032248908660
Qty.	10 pc(s).

TERMSERIES TOS 24VDC 48VDC0,1A

Weidmüller Interface GmbH & Co. KG
 Klingenbergstraße 16
 D-32758 Detmold
 Germany
 Fon: +49 5231 14-0
 Fax: +49 5231 14-292083
 www.weidmueller.com

Technische Daten

Dimensions and weights

Width	6.4 mm	Height	90 mm
Depth	88 mm	Weight	34 g
Net weight	31.4 g		

Temperatures

Humidity	5–95% rel. humidity, $T_u = 40^\circ\text{C}$, no condensation	Operating temperature	-20 °C...+60 °C
Storage temperature	-40 °C...+70 °C		

Probability of failure

MTTF	4,439 Years
------	-------------

control side

Cut-in dropout voltage	17 V / 10 V DC	Rated control voltage	24 V DC $\pm 20\%$
Nominal control current	10 mA DC $\pm 20\%$	Power rating	240 mW
Input frequency	300 Hz	Protective circuit, control side	Reverse polarity protection, Integrated free-wheel diode
Status display on control side	Green LED		

Load side

Solid-state type	Bipolar transistor	Rated switching voltage	3... 48 V DC
Continuous current	100 mA	Rated switching current	100 mA
Switch-on delay	< 35 μs	Switch-off delay	< 355 μs
Leakage current	< 10 μA	Protective circuit, load side	Integrated free-wheel diode
Voltage drop at max. load	≤ 1 V	Short-circuit-proof	No

General data

Solid-state type	Bipolar transistor	No. of poles	1
Wire connection method	Screw connection	Humidity	5–95% rel. humidity, $T_u = 40^\circ\text{C}$, no condensation
UL 94 flammability rating	V-0	Standards	DIN EN 50178

Insulation coordination

Rated voltage	300 V	Clearance and creepage distances for control side - load side	≥ 5.5 mm
Dielectric strength to mounting rail	4 kV _{eff} / 1 min.	Impulse withstand voltage	6 kV (1.2/50 μs)
Pollution severity	2	Surge voltage category	III

Further details of approvals

Certificate No. (GERMLLOYD)	47053-12	Certificate no. (cULus)	E141197
Standards	DIN EN 50178		

Datenblatt

TERMSERIES
TOS 24VDC 48VDC0,1A

Weidmüller Interface GmbH & Co. KG
 Klingenbergstraße 16
 D-32758 Detmold
 Germany
 Fon: +49 5231 14-0
 Fax: +49 5231 14-292083
 www.weidmueller.com

Technische Daten

Connection data

Clamping range, rated connection	1.5 mm ²	Clamping range, rated connection, max.	1.5 mm ²
Clamping range, rated connection, min.	0.14 mm ²	Stripping length, rated connection	8 mm
Tightening torque, max.	0.4 Nm	Wire connection method	Screw connection

Classifications

eClass 6.2	27-27-09-90	eClass 7.1	27-27-09-90
------------	-------------	------------	-------------

Product information

Descriptive text ordering data	Spare solid-state relay Type: SSS 24 V/24 V 0.1A DC Orderno.: 4061180000
Descriptive text technical data	Accessories and dimensional drawings: refer to the TERMSERIES Accessories page.

Approvals

Approvals



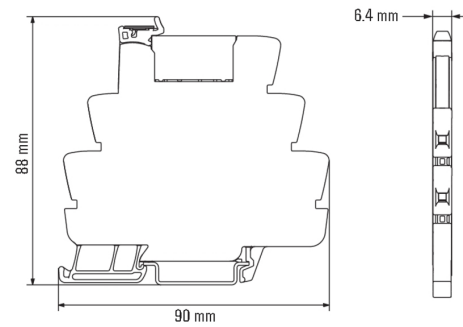
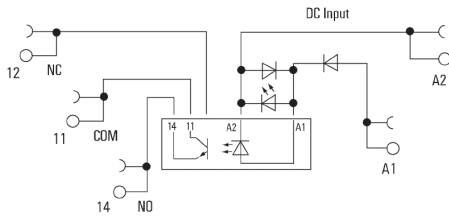
ROHS	Conform
------	---------

Downloads

Declaration of Conformity	K438_10_12.pdf
PDF	Operating Instructions
	3D Modell

**TERMSERIES
TOS 24VDC 48VDC0,1A**

Weidmüller Interface GmbH & Co. KG
Klingenbergstraße 16
D-32758 Detmold
Germany
Fon: +49 5231 14-0
Fax: +49 5231 14-292083
www.weidmueller.com

Zeichnungen**Circuit diagram**

Datenblatt

**TERMSERIES
TOS 24VDC 48VDC0,1A**

Weidmüller Interface GmbH & Co. KG
 Klingenbergstraße 16
 D-32758 Detmold
 Germany
 Fon: +49 5231 14-0
 Fax: +49 5231 14-292083
 www.weidmueller.com

Zeichnungen

