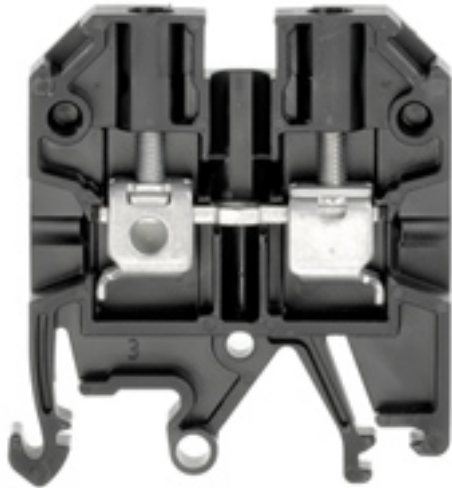


**SAK Series  
SAK 4/EN SW**

**Weidmüller Interface GmbH & Co. KG**  
Klingenbergstraße 16  
D-32758 Detmold  
Germany  
Fon: +49 5231 14-0  
Fax: +49 5231 14-292083  
www.weidmueller.com



The Weidmüller SAK feed-through terminals satisfy the requirements of IEC 60947-1 and are available with rated cross-sections from 0.08 mm<sup>2</sup> to 240 mm<sup>2</sup>.

**General ordering data**

Type	SAK 4/EN SW
Order No.	<a href="#">9130980000</a>
GTIN (EAN)	4008190465490
Qty.	100 pc(s).

## SAK Series SAK 4/EN SW

**Weidmüller Interface GmbH & Co. KG**  
 Klingenbergstraße 16  
 D-32758 Detmold  
 Germany  
 Fon: +49 5231 14-0  
 Fax: +49 5231 14-292083  
 www.weidmueller.com

## Technische Daten

### Dimensions and weights

Length	42 mm	Width	6.5 mm
Height	47.5 mm	Height of lowest version	47.5 mm
Weight	11.73 g	Net weight	9.31 g

### Temperatures

Operating temperature		Storage temperature	
Continuous operating temp., min.	-50 °C	Continuous operating temp., max.	100 °C

### Rated data IECEx/ATEX

Certificate No. (ATEX)	KEMA97ATEX1798U	ATEX certificate	IECExKEM06.0014U
ATEX certificate	KEMA97ATEX1798U_e.pdf	Certificate No. (IECEX)	IECExKEM06.0014U
IEC Ex certificate	IECExKEM06.0014U_e.pdf	Max. voltage (ATEX)	690 V
Current (ATEX)	28 A	Wire cross section max. (ATEX)	4 mm <sup>2</sup>
Max. voltage (IECEX)	690 V	Current (IECEX)	28 A
Wire cross section max. (IECEX)	4 mm <sup>2</sup>	Voltage, cross-connection	CrossConnectionGuide.pdf
Operating temperature range	For operating temperature range see EC Design Test Certificate / IEC Ex-Certificate of Conformity	Marking EN 60079-7	
Marking ATEX Directive 94/9/EC	II 2 G D		Ex e II

### Additional technical data

Explosion-tested version	No	Number of similar terminals	1
Open sides	right	Type of mounting	Snap-on
Version	Screw connection, for screwable cross-connection, One end without connector		

### CSA ratings data

Certificate No. (CSA)	12400-129	Voltage size C (CSA)	600 V
Current size C (CSA)	36 A	Wire cross section max. (CSA)	10 AWG
Wire cross section min. (CSA)	26 AWG		

## SAK Series SAK 4/EN SW

**Weidmüller Interface GmbH & Co. KG**  
 Klingenbergstraße 16  
 D-32758 Detmold  
 Germany  
 Fon: +49 5231 14-0  
 Fax: +49 5231 14-292083  
 www.weidmueller.com

## Technische Daten

### Clampable wires (rated connection)

Type of connection	Screw connection	Stripping length	12 mm
Blade size	0.6 x 3.5 mm	Connection direction	on side
Number of connections	2	Clamping range, rated connection, min.	0.13 mm <sup>2</sup>
Clamping range, rated connection, max.	6 mm <sup>2</sup>	Clamping screw	M 3
Tightening torque, min.	0.5 Nm	Tightening torque, max.	1 Nm
Torque level with DMS electric screwdriver	2	Gauge to IEC 60947-1	A4
Wire connection cross section, solid core, max. rated connection	0.5 mm <sup>2</sup>	Wire connection cross section, solid core max. rated connection	6 mm <sup>2</sup>
Wire connection cross section, stranded, rated connection, min.	0.5 mm <sup>2</sup>	Wire connection cross section, stranded, rated connection, max.	4 mm <sup>2</sup>
Wire connection cross section, finely stranded, max.	4 mm <sup>2</sup>	Wire connection cross-section, finely stranded, min.	0.5 mm <sup>2</sup>
Wire connection cross section, finely stranded with wire-end ferrules DIN 46228/1, rated connection, min.	0.5 mm <sup>2</sup>	Wire connection cross section, finely stranded with wire-end ferrules DIN 46228/1, rated connection, max.	4 mm <sup>2</sup>
Cross-section for connected conductor, finely stranded with wire-end ferrules and plastic collars DIN 46228/4, rated connection, min.	0.5 mm <sup>2</sup>	Wire connection cross-section, finely stranded with wire-end ferrules and plastic collars DIN 46228/4, rated connection, max.	4 mm <sup>2</sup>
Twin wire-end ferrules, min.	0.5 mm <sup>2</sup>	Twin wire-end ferrules, max.	2.5 mm <sup>2</sup>
Wire connection cross section AWG, min.	AWG 26	Wire connection cross section AWG, max.	AWG 10

### Rated data

Rated cross-section	4 mm <sup>2</sup>	Rated voltage	800 V
Rated impulse withstand voltage	8 kV	Rated current	32 A
Current at maximum wires	41 A	Standards	IEC 60947-7-1
Pollution severity	3		

### UL ratings data

Certificate No. (UR)	E60693	Voltage size C (UR)	600 V
Current size C (UR)	25 A	Conductor size Factory wiring max. (UR)	12 AWG
Conductor size Factory wiring min. (UR)	22 AWG	Conductor size Field wiring max. (UR)	12 AWG

### Material data

Material	PA 66	Colour	Black
UL 94 flammability rating	V-2		

### System specifications

Product family	SAK Series	Type of connection	Screw connection
Connection direction	on side	Number of levels	1
Number of connections	2	No. of clamping points per level	2
Levels cross-connected internally	No	Mounting rail	TS 32, TS 35
End cover plate required	Yes		

### Classifications

ETIM 3.0	EC000897	UNSPSC	30-21-18-11
eClass 5.1	27-14-11-20	eClass 6.2	27-14-11-20
eClass 7.1	27-14-11-20		

**Datenblatt****SAK Series**  
**SAK 4/EN SW****Weidmüller Interface GmbH & Co. KG**  
Klingenbergstraße 16  
D-32758 Detmold  
Germany  
Fon: +49 5231 14-0  
Fax: +49 5231 14-292083  
www.weidmueller.com**Technische Daten****Product information**

Descriptive text technical data With twin ferrules ZH 0.5 to ZH 2.5, rated voltage is 690 V.

**Approvals**

Approvals



ROHS

Conform