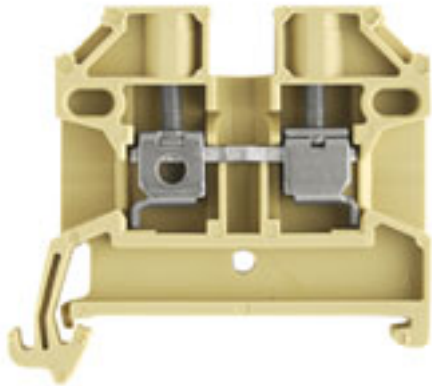


SAK Series
SAK 2.5/35**Weidmüller Interface GmbH & Co. KG**
Klingenbergstraße 16
D-32758 Detmold
Germany
Fon: +49 5231 14-0
Fax: +49 5231 14-292083
www.weidmueller.com

The Weidmüller SAK feed-through terminals satisfy the requirements of IEC 60947-1 and are available with rated cross-sections from 0.08 mm² to 240 mm².

General ordering data

Type	SAK 2.5/35
Order No.	0380460000
GTIN (EAN)	4008190042363
Qty.	100 pc(s).

SAK Series SAK 2.5/35

Weidmüller Interface GmbH & Co. KG
 Klingenbergstraße 16
 D-32758 Detmold
 Germany
 Fon: +49 5231 14-0
 Fax: +49 5231 14-292083
 www.weidmueller.com

Technische Daten

Dimensions and weights

Length	44.5 mm	Width	6.1 mm
Height	40 mm	Height of lowest version	40 mm
Net weight	6.33 g		

Temperatures

Operating temperature		Storage temperature	
Continuous operating temp., min.	-50 °C	Continuous operating temp., max.	100 °C

Rated data IECEx/ATEX

Certificate No. (ATEX)	KEMA97ATEX1798U	ATEX certificate	IECEXKEM06.0014U
ATEX certificate	KEMA97ATEX1798U_e.pdf	Certificate No. (IECEX)	IECEXKEM06.0014U
IEC Ex certificate	IECEXKEM06.0014U_e.pdf	Max. voltage (ATEX)	550 V
Current (ATEX)	21 A	Wire cross section max. (ATEX)	2.5 mm ²
Max. voltage (IECEX)	550 V	Current (IECEX)	21 A
Wire cross section max. (IECEX)	2.5 mm ²	Voltage, cross-connection	CrossConnectionGuide.pdf
Operating temperature range	For operating temperature range see EC Design Test Certificate / IEC Ex-Certificate of Conformity	Marking EN 60079-7	
Marking ATEX Directive 94/9/EC	II 2 G D		Ex e II

Additional technical data

Explosion-tested version	Yes	Installation advice	Direct mounting
Number of similar terminals	1	Open sides	right
Type of mounting		Version	Screw connection, for screwable cross-connection, One end without connector
	Snap-on		

CSA ratings data

Certificate No. (CSA)	12400-129	Voltage size C (CSA)	600 V
Current size C (CSA)	25 A	Wire cross section max. (CSA)	10 AWG
Wire cross section min. (CSA)	26 AWG		

Clampable wires (additional connection)

Conductor cross-section, flexible plus plastic collar DIN 46228/1, further connection, min.	0.5 mm ²	Conductor cross-section, flexible plus plastic collar DIN 46228/1, further connection, max.	4 mm ²
---	---------------------	---	-------------------

SAK Series SAK 2.5/35

Weidmüller Interface GmbH & Co. KG
Klingenbergstraße 16
D-32758 Detmold
Germany
Fon: +49 5231 14-0
Fax: +49 5231 14-292083
www.weidmueller.com

Technische Daten

Clampable wires (rated connection)

Type of connection	Screw connection	Stripping length	10 mm
Blade size	0.6 x 3.5 mm	Connection direction	on side
Number of connections	2	Clamping range, rated connection, min.	0.13 mm ²
Clamping range, rated connection, max.	6 mm ²	Clamping screw	M 2.5
Tightening torque, min.	0.4 Nm	Tightening torque, max.	0.6 Nm
Torque level with DMS electric screwdriver	1	Gauge to IEC 60947-1	A3
Wire connection cross section, solid core, max. rated connection	0.5 mm ²	Wire connection cross section, solid core max. rated connection	6 mm ²
Wire connection cross section, stranded, rated connection, min.	0.5 mm ²	Wire connection cross section, stranded, rated connection, max.	4 mm ²
Wire connection cross section, finely stranded, max.	4 mm ²	Wire connection cross-section, finely stranded, min.	0.5 mm ²
Wire connection cross section, finely stranded with wire-end ferrules DIN 46228/1, rated connection, min.	0.5 mm ²	Wire connection cross section, finely stranded with wire-end ferrules DIN 46228/1, rated connection, max.	4 mm ²
Cross-section for connected conductor, finely stranded with wire-end ferrules and plastic collars DIN 46228/4, rated connection, min.	0.5 mm ²	Wire connection cross-section, finely stranded with wire-end ferrules and plastic collars DIN 46228/4, rated connection, max.	4 mm ²
Twin wire-end ferrules, min.	0.5 mm ²	Twin wire-end ferrules, max.	1.5 mm ²
Wire connection cross section AWG, min.	AWG 26		

Rated data

Rated cross-section	2.5 mm ²	Rated voltage	800 V
Rated impulse withstand voltage	8 kV	Rated current	24 A
Current at maximum wires	41 A	Standards	IEC 60947-7-1
Pollution severity	3		

UL ratings data

Certificate No. (UR)	E60693	Voltage size C (UR)	600 V
Current size C (UR)	20 A	Conductor size Factory wiring max. (UR)	12 AWG
Conductor size Factory wiring min. (UR)	22 AWG	Conductor size Field wiring max. (UR)	12 AWG

Material data

Insulating material	PA 66	Material	PA 66
Colour	Beige	UL 94 flammability rating	V-2

System specifications

Product family	SAK Series	Type of connection	Screw connection
Connection direction	on side	Number of levels	1
Number of connections	2	No. of clamping points per level	2
Levels cross-connected internally	No	Mounting rail	TS 35
End cover plate required	Yes		

Classifications

ETIM 3.0	EC000897	UNSPSC	30-21-18-11
eClass 5.1	27-14-11-20	eClass 6.2	27-14-11-20
eClass 7.1	27-14-11-20		

**SAK Series
SAK 2.5/35**

Weidmüller Interface GmbH & Co. KG
Klingenbergstraße 16
D-32758 Detmold
Germany
Fon: +49 5231 14-0
Fax: +49 5231 14-292083
www.weidmueller.com

Technische Daten**Product information**

Descriptive text technical data With twin ferrules ZH 0.5 to ZH 1.5, rated voltage is 690 V.

Approvals

Approvals



ROHS Conform

Downloads

DXF [22364_SAK_2.5-35_DXF.dxf](#)

[3D Modell](#)