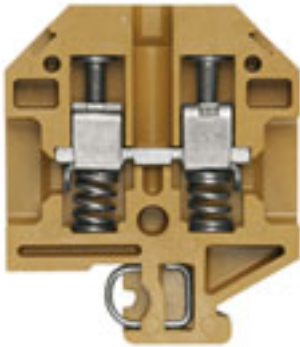


**SAK terminal with spring loaded terminals  
RSF 1 KRG**

**Weidmüller Interface GmbH & Co. KG**  
Klingenbergstraße 16  
D-32758 Detmold  
Germany  
Fon: +49 5231 14-0  
Fax: +49 5231 14-292083  
www.weidmueller.com



In order to do justice to the different requirements placed on our products, it is necessary to use various insulating materials tailored to the particular application. None of the insulating materials used by Weidmüller contain any hazardous substances. Above all, we ensure that all our materials are free from cadmium. Furthermore, they contain no colour pigments based on heavy metals and do not lead to the formation of dioxin/furan.

**General ordering data**

Type	RSF 1 KRG
Order No.	<a href="#">0270320000</a>
GTIN (EAN)	4008190009922
Qty.	50 pc(s).

## SAK terminal with spring loaded terminals RSF 1 KRG

**Weidmüller Interface GmbH & Co. KG**  
 Klingenbergstraße 16  
 D-32758 Detmold  
 Germany  
 Fon: +49 5231 14-0  
 Fax: +49 5231 14-292083  
 www.weidmueller.com

## Technische Daten

### Dimensions and weights

Length	50 mm	Width	11 mm
Height	60 mm	Height of lowest version	60 mm
Net weight	35.86 g		

### Temperatures

Operating temperature		Storage temperature	
Continuous operating temp., min.	-60 °C	Continuous operating temp., max.	130 °C

### Additional technical data

Explosion-tested version	No	Installation advice	Direct mounting
Number of similar terminals	1	Open sides	right
Type of mounting		Version	Screw connection, for screwable cross-connection, with spring-loaded cable clamp, One end without connector
	Snap-on		

### CSA ratings data

Certificate No. (CSA)	12400-35 1	Voltage size B (CSA)	300 V
Voltage size C (CSA)	300 V	Voltage size D (CSA)	600 V
Current size B (CSA)	50 A	Current size C (CSA)	50 A
Current size D (CSA)	5 A	Wire cross section max. (CSA)	8 AWG
Wire cross section min. (CSA)	14 AWG		

### Clampable wires (rated connection)

Type of connection	Screw connection	Stripping length	15 mm
Blade size	1.0 x 5.5 mm	Connection direction	on side
Number of connections	2	Clamping range, rated connection, min.	0.5 mm <sup>2</sup>
Clamping range, rated connection, max.	10 mm <sup>2</sup>	Clamping screw	M 4
Tightening torque, min.	1.2 Nm	Tightening torque, max.	1.6 Nm
Torque level with DMS electric screwdriver	4	Gauge to IEC 60947-1	A5
Wire connection cross section, solid core, max. rated connection	0.5 mm <sup>2</sup>	Wire connection cross section, solid core max. rated connection	10 mm <sup>2</sup>
Wire connection cross section, stranded, rated connection, min.	0.5 mm <sup>2</sup>	Wire connection cross section, stranded, rated connection, max.	10 mm <sup>2</sup>
Wire connection cross section, finely stranded, max.	4 mm <sup>2</sup>	Wire connection cross-section, finely stranded, min.	1.5 mm <sup>2</sup>
Wire connection cross section, finely stranded with wire-end ferrules DIN 46228/1, rated connection, min.	0.5 mm <sup>2</sup>	Wire connection cross section, finely stranded with wire-end ferrules DIN 46228/1, rated connection, max.	6 mm <sup>2</sup>

### Rated data

Rated cross-section	10 mm <sup>2</sup>	Rated voltage	500 V
Rated impulse withstand voltage	6 kV	Rated current	57 A
Current at maximum wires	57 A	Standards	IEC 60947-7-1
Pollution severity	3		

## SAK terminal with spring loaded terminals RSF 1 KRГ

**Weidmüller Interface GmbH & Co. KG**  
 Klingenbergstraße 16  
 D-32758 Detmold  
 Germany  
 Fon: +49 5231 14-0  
 Fax: +49 5231 14-292083  
 www.weidmueller.com

## Technische Daten

### UL ratings data

Certificate No. (UR)	E60693	Voltage size B (UR)	600 V
Voltage size C (UR)	600 V	Current size B (UR)	40 A
Current size C (UR)	40 A	Wire cross section max. (UR)	8 AWG
Wire cross section min. (UR)	14 AWG		

### Material data

Material	KrG	Colour	Medium Yellow
UL 94 flammability rating	V-0, 5VA		

### System specifications

Product family	SAK terminal with spring loaded terminals	Type of connection	Screw connection
Connection direction	on side	Number of levels	1
Number of connections	2	No. of clamping points per level	2
Levels cross-connected internally	No	Mounting rail	TS 32
End cover plate required	Yes		

### Classifications

ETIM 3.0	EC000897	UNSPSC	30-21-18-11
eClass 5.1	27-14-11-20	eClass 6.2	27-14-11-20
eClass 7.1	27-14-11-20		

### Product information

Descriptive text technical data      When used with an AWG 8/7 conductor, the tightening torque is 1.6 Nm.

### Approvals

Approvals



ROHS      Conform