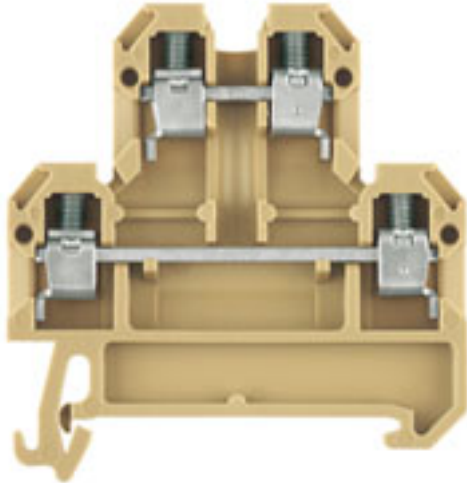


## SAK Series DK 4/35

**Weidmüller Interface GmbH & Co. KG**  
Klingenbergstraße 16  
D-32758 Detmold  
Germany  
Fon: +49 5231 14-0  
Fax: +49 5231 14-292083  
www.weidmueller.com



The two-tier modular terminals can feed two potentials in one terminal.

### General ordering data

Type	DK 4/35
Order No.	<a href="#">0527660000</a>
GTIN (EAN)	4008190082130
Qty.	100 pc(s).

## SAK Series DK 4/35

**Weidmüller Interface GmbH & Co. KG**  
 Klingenbergstraße 16  
 D-32758 Detmold  
 Germany  
 Fon: +49 5231 14-0  
 Fax: +49 5231 14-292083  
 www.weidmueller.com

## Technische Daten

### Dimensions and weights

Length	50 mm	Width	6 mm
Height	60.5 mm	Height of lowest version	60.5 mm
Net weight	11.77 g		

### Temperatures

Operating temperature		Storage temperature	
Continuous operating temp., min.	-50 °C	Continuous operating temp., max.	100 °C

### Additional technical data

Explosion-tested version	No	Number of similar terminals	1
Open sides	right	Type of mounting	Snap-on
Version	Screw connection, for screwable cross-connection, One end without connector		

### CSA ratings data

Certificate No. (CSA)	12400-130	Voltage size C (CSA)	300 V
Current size C (CSA)	25 A	Wire cross section max. (CSA)	12 AWG
Wire cross section min. (CSA)	26 AWG		

### Clampable wires (additional connection)

Conductor cross-section, flexible plus plastic collar DIN 46228/1, further connection, min.	0.5 mm <sup>2</sup>	Conductor cross-section, flexible plus plastic collar DIN 46228/1, further connection, max.	2.5 mm <sup>2</sup>
---------------------------------------------------------------------------------------------	---------------------	---------------------------------------------------------------------------------------------	---------------------

### Clampable wires (rated connection)

Type of connection	Screw connection	Stripping length	8 mm
Blade size	0.6 x 3.5 mm	Connection direction	on side
Number of connections	4	Clamping range, rated connection, min.	0.13 mm <sup>2</sup>
Clamping range, rated connection, max.	6 mm <sup>2</sup>	Clamping screw	M 3
Tightening torque, min.	0.5 Nm	Tightening torque, max.	0.8 Nm
Torque level with DMS electric screwdriver	2	Gauge to IEC 60947-1	A3
Wire connection cross section, solid core, max. rated connection	0.5 mm <sup>2</sup>	Wire connection cross section, solid core max. rated connection	6 mm <sup>2</sup>
Wire connection cross section, stranded, rated connection, min.	0.5 mm <sup>2</sup>	Wire connection cross section, stranded, rated connection, max.	4 mm <sup>2</sup>
Wire connection cross section, finely stranded, max.	4 mm <sup>2</sup>	Wire connection cross-section, finely stranded, min.	0.5 mm <sup>2</sup>
Wire connection cross section, finely stranded with wire-end ferrules DIN 46228/1, rated connection, min.	0.5 mm <sup>2</sup>	Wire connection cross section, finely stranded with wire-end ferrules DIN 46228/1, rated connection, max.	2.5 mm <sup>2</sup>
Cross-section for connected conductor, finely stranded with wire-end ferrules and plastic collars DIN 46228/4, rated connection, min.	0.5 mm <sup>2</sup>	Wire connection cross-section, finely stranded with wire-end ferrules and plastic collars DIN 46228/4, rated connection, max.	2.5 mm <sup>2</sup>
Twin wire-end ferrules, min.	0.5 mm <sup>2</sup>	Twin wire-end ferrules, max.	1.5 mm <sup>2</sup>
Wire connection cross section AWG, min.	AWG 26	Wire connection cross section AWG, max.	AWG 12

**SAK Series  
DK 4/35**

**Weidmüller Interface GmbH & Co. KG**  
 Klingenbergstraße 16  
 D-32758 Detmold  
 Germany  
 Fon: +49 5231 14-0  
 Fax: +49 5231 14-292083  
 www.weidmueller.com

**Technische Daten**

**Rated data**

Rated cross-section	4 mm <sup>2</sup>	Rated voltage	500 V
Rated impulse withstand voltage	6 kV	Rated current	32 A
Current at maximum wires	41 A	Standards	IEC 60947-7-1
Pollution severity	3		

**UL ratings data**

Certificate No. (UR)	E60693	Voltage size C (UR)	300 V
Current size C (UR)	27 A	Conductor size Factory wiring max. (UR)	12 AWG
Conductor size Factory wiring min. (UR)	26 AWG	Conductor size Field wiring max. (UR)	12 AWG

**Material data**

Material	PA 66	Colour	Beige
UL 94 flammability rating	V-2		

**System specifications**

Product family	SAK Series	Type of connection	Screw connection
Connection direction	on side	Number of levels	2
Number of connections	4	No. of clamping points per level	2
Levels cross-connected internally	No	Mounting rail	TS 35
End cover plate required	Yes		

**Classifications**

ETIM 3.0	EC000897	UNSPSC	30-21-18-11
eClass 5.1	27-14-11-20	eClass 6.2	27-14-11-20
eClass 7.1	27-14-11-27		

**Product information**

Descriptive text technical data	With twin ferrules ZH 0.5 to ZH 2.5, rated voltage is 690 V.
---------------------------------	--------------------------------------------------------------

**Approvals**

Approvals



ROHS	Conform
------	---------