

OMNIMATE Signal - series RSV RSV1,6 S6 GR

Weidmüller Interface GmbH & Co. KG
 Klingenbergstraße 16
 D-32758 Detmold
 Germany
 Fon: +49 5231 14-0
 Fax: +49 5231 14-292083
 www.weidmueller.com



Rectangular plug-in connector for use with crimp contacts. Can be used as universal coupling, but also with the PCB variations. The crimp contacts guarantee a high connection density. CS 1.6 or CB 1.6 contacts can be used here. The plug-in connectors can be coded and locked to the mating connector. Supplied in cardboard box.

- 0.13 - 3.31 mm² (IEC) / 26 - 12 AWG (UL)
- 630 V (IEC) / 600 V (UL)
- 17 A (IEC) / 10 A (UL)

General ordering data

Type	RSV1,6 S6 GR
Order No.	1414100000
Version	PCB plug-in connector, male plug, 5.00 mm, No. of poles: 6, Crimp connection, Clamping range, rated connection, max.: 3.31 mm ² , Box
GTIN (EAN)	4008190103835
Qty.	25 pc(s).
Product data	IEC: 630 V / 17 A UL: 600 V / 10 A / AWG 26 - AWG 12
Packaging	Box

OMNIMATE Signal - series RSV RSV1,6 S6 GR

Weidmüller Interface GmbH & Co. KG
 Klingenbergstraße 16
 D-32758 Detmold
 Germany
 Fon: +49 5231 14-0
 Fax: +49 5231 14-292083
 www.weidmueller.com

Technische Daten

Dimensions and weights

Net weight 6.61 g

System parameters

Product family	OMNIMATE Signal - series RSV	Wire connection method	Crimp connection
Pitch in mm (P)	5 mm	Pitch in inches (P)	0.197 inch
No. of poles	6	Stripping length	4 mm
L1 in mm	10 mm	L1 in inches	0.394 inch
Touch-safe protection acc. to DIN VDE 0470	IP20 plugged	Touch-safe protection acc. to DIN VDE 57 106	Safe from finger touch, plugged

Material data

Insulating material	Wemid (PA)	Colour	Pebble grey
Colour chart (similar)	RAL 7032	UL 94 flammability rating	V-0
CTI	≥ 600	Contact material	Cu-Leg


Connectable conductors

Clamping range, rated connection, min.	0.13 mm ²	Clamping range, rated connection, max.	3.31 mm ²
Flexible, min. H05(07) V-K	0.2 mm ²	Flexible, max. H05(07) V-K	2.5 mm ²

DIN IEC rating data

Rated current, min. no. of poles (Tu=20°C)	17 A	Rated current, max. no. of poles (Tu=20°C)	13 A
Rated current, number of poles (Tu=40°C), min	15 A	Rated current, number of poles (Tu=40°C), max.	11.5 A
Rated voltage for surge voltage class pollution degree II/2	630 V	Rated voltage for surge voltage class pollution degree III/2	400 V
Rated voltage for surge voltage class pollution degree III/3	250 V	Rated impulse voltage for surge voltage class pollution degree II/2	4 kV
Rated impulse voltage for surge voltage class pollution degree III/2	4 kV	Rated impulse voltage for surge voltage class contamination degree III/3	4 kV
Short-time withstand current resistance	3 x 1s with 120 A		

CSA rating data

Institute (CSA)		Rated voltage (Use group C)	600 V
Rated current (use group C)	13 A	Wire cross-section, AWG, min.	AWG 26
Wire cross-section, AWG, max.	AWG 12		

UL 1059 rating data

Institute (UR)	
----------------	---

OMNIMATE Signal - series RSV RSV1,6 S6 GR

Weidmüller Interface GmbH & Co. KG
Klingenbergstraße 16
D-32758 Detmold
Germany
Fon: +49 5231 14-0
Fax: +49 5231 14-292083
www.weidmueller.com

Technische Daten

Classifications

ETIM 3.0	EC001284	UNSPSC	30-21-18-10
eClass 5.1	27-26-07-01	eClass 6.2	27-26-07-03
eClass 7.1	27-44-01-01		

Notes

- Notes
- Additional colours on request
 - Rated current related to rated cross-section & min. No. of poles.
 - Spacing between rows: see hole layout
 - Rated cross-section depends on crimp contact used.
 - Rated data refer only to the component itself. Clearance and creepage distances to other components are to be designed in accordance with the relevant application standards.
 - Max. outer diameter of the cable (with insulation): 3.5 mm

Approvals

Approvals



ROHS Conform

Downloads

CAD Library (P-CAD Format - ASCII) [RSV1.6.zip](#)

CAD Library (P-CAD Format - Standard) [RSV1.6.zip](#)

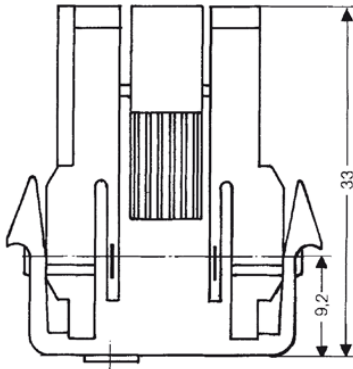
[3D Modell](#)

Datenblatt

**OMNIMATE Signal - series RSV
RSV1,6 S6 GR**

Weidmüller Interface GmbH & Co. KG
 Klingenbergstraße 16
 D-32758 Detmold
 Germany
 Fon: +49 5231 14-0
 Fax: +49 5231 14-292083
 www.weidmueller.com

Zeichnungen



RSV1.6 CB.. - RSV1.6 CS..

