

## OMNIMATE Signal - series RSV RSV1,6 B6 GR

**Weidmüller Interface GmbH & Co. KG**  
 Klingenbergstraße 16  
 D-32758 Detmold  
 Germany  
 Fon: +49 5231 14-0  
 Fax: +49 5231 14-292083  
 www.weidmueller.com



Rectangular plug-in connector for use with crimp contacts. Can be used as universal coupling, but also with the PCB variations. The crimp contacts guarantee a high connection density. CS 1.6 or CB 1.6 contacts can be used here. The plug-in connectors can be coded and locked to the mating connector. Supplied in cardboard box.

- 0.13 - 3.31 mm<sup>2</sup> (IEC) / 26 - 12 AWG (UL)
- 630 V (IEC) / 600 V (UL)
- 17 A (IEC) / 10 A (UL)

### General ordering data

Type	RSV1,6 B6 GR
Order No.	<a href="#">1414000000</a>
Version	PCB plug-in connector, female plug, 5.00 mm, No. of poles: 6, 180°, Crimp connection, Clamping range, rated connection, max.: 3.31 mm <sup>2</sup> , Box
GTIN (EAN)	4008190055394
Qty.	25 pc(s).
Product data	IEC: 630 V / 17 A UL: 600 V / 10 A / AWG 26 - AWG 12
Packaging	Box

**OMNIMATE Signal - series RSV  
RSV1,6 B6 GR**

**Weidmüller Interface GmbH & Co. KG**  
Klingenbergstraße 16  
D-32758 Detmold  
Germany  
Fon: +49 5231 14-0  
Fax: +49 5231 14-292083  
www.weidmueller.com

**Technische Daten**

**Dimensions and weights**

Net weight 5.32 g

**System parameters**

Product family	OMNIMATE Signal - series RSV	Wire connection method	Crimp connection
Conductor outlet direction	180°	Pitch in mm (P)	5 mm
Pitch in inches (P)	0.197 inch	No. of poles	6
Stripping length	4 mm	L1 in mm	10 mm
L1 in inches	0.394 inch	Touch-safe protection acc. to DIN VDE 0470	IP 20
Touch-safe protection acc. to DIN VDE 57 106	Safe from finger touch		

**Material data**

Insulating material	Wemid (PA)	Colour	Pebble grey
Colour chart (similar)	RAL 7032	UL 94 flammability rating	V-0
CTI	≥ 600	Contact material	Cu-Leg


**Connectable conductors**

Clamping range, rated connection, min.	0.13 mm <sup>2</sup>	Clamping range, rated connection, max.	3.31 mm <sup>2</sup>
Flexible, min. H05(07) V-K	0.2 mm <sup>2</sup>	Flexible, max. H05(07) V-K	2.5 mm <sup>2</sup>

**DIN IEC rating data**

Rated current, min. no. of poles (Tu=20°C)	17 A	Rated current, max. no. of poles (Tu=20°C)	13 A
Rated current, number of poles (Tu=40°C), min	15 A	Rated current, number of poles (Tu=40°C), max.	11.5 A
Rated voltage for surge voltage class pollution degree II/2	630 V	Rated voltage for surge voltage class pollution degree III/2	400 V
Rated voltage for surge voltage class pollution degree III/3	250 V	Rated impulse voltage for surge voltage class pollution degree II/2	4 kV
Rated impulse voltage for surge voltage class pollution degree III/2	4 kV	Rated impulse voltage for surge voltage class contamination degree III/3	4 kV
Short-time withstand current resistance	3 x 1s with 120 A		

**CSA rating data**

Institute (CSA)		Rated voltage (Use group C)	600 V
Rated current (use group C)	13 A	Wire cross-section, AWG, min.	AWG 26
Wire cross-section, AWG, max.	AWG 12		

**UL 1059 rating data**

Institute (UR)			
----------------	---	--	--

## OMNIMATE Signal - series RSV RSV1,6 B6 GR

**Weidmüller Interface GmbH & Co. KG**  
 Klingenbergstraße 16  
 D-32758 Detmold  
 Germany  
 Fon: +49 5231 14-0  
 Fax: +49 5231 14-292083  
 www.weidmueller.com

## Technische Daten

### Classifications

ETIM 3.0	EC001284	UNSPSC	30-21-18-10
eClass 5.1	27-26-07-01	eClass 6.2	27-26-07-03
eClass 7.1	27-44-01-01		

### Notes

- Notes
- Additional colours on request
  - Rated current related to rated cross-section & min. No. of poles.
  - Spacing between rows: see hole layout
  - Rated cross-section depends on crimp contact used.
  - Rated data refer only to the component itself. Clearance and creepage distances to other components are to be designed in accordance with the relevant application standards.
  - Max. outer diameter of the cable (with insulation): 3.5 mm

### Approvals

Approvals



ROHS Conform

### Downloads

CAD Library (P-CAD Format - ASCII) [RSV1.6.zip](#)

CAD Library (P-CAD Format - Standard) [RSV1.6.zip](#)

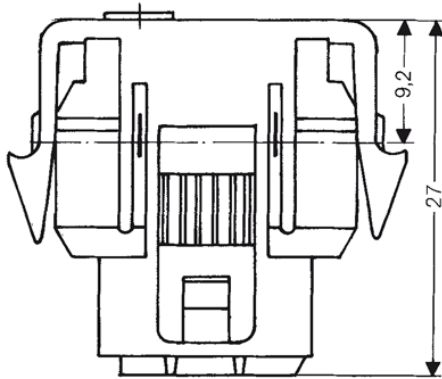
[3D Modell](#)

**Datenblatt**

**OMNIMATE Signal - series RSV  
RSV1,6 B6 GR**

**Weidmüller Interface GmbH & Co. KG**  
 Klingenbergstraße 16  
 D-32758 Detmold  
 Germany  
 Fon: +49 5231 14-0  
 Fax: +49 5231 14-292083  
 www.weidmueller.com

**Zeichnungen**



RSV1.6 CB.. - RSV1.6 CS..

