

## OMNIMATE Signal - series RSV RSV1,6 S4 GR

**Weidmüller Interface GmbH & Co. KG**  
 Klingenbergstraße 16  
 D-32758 Detmold  
 Germany  
 Fon: +49 5231 14-0  
 Fax: +49 5231 14-292083  
 www.weidmueller.com



Rectangular plug-in connector for use with crimp contacts. Can be used as universal coupling, but also with the PCB variations. The crimp contacts guarantee a high connection density. CS 1.6 or CB 1.6 contacts can be used here. The plug-in connectors can be coded and locked to the mating connector. Supplied in cardboard box.

- 0.13 - 3.31 mm<sup>2</sup> (IEC) / 26 - 12 AWG (UL)
- 630 V (IEC) / 600 V (UL)
- 17 A (IEC) / 10 A (UL)

### General ordering data

|              |  |
|--------------|--|
| Type         | RSV1,6 S4 GR   |
| Order No.    | <a href="#">1413100000</a>   |
| Version      | PCB plug-in connector, male plug, 5.00 mm, No. of poles: 4, Crimp connection, Clamping range, rated connection, max.: 3.31 mm <sup>2</sup> , Box |
| GTIN (EAN)   | 4008190073114  |
| Qty.         | 25 pc(s).  |
| Product data | IEC: 630 V / 17 A<br>UL: 600 V / 10 A / AWG 26 - AWG 12  |
| Packaging    | Box  |

## OMNIMATE Signal - series RSV RSV1,6 S4 GR

**Weidmüller Interface GmbH & Co. KG**  
 Klingenbergstraße 16  
 D-32758 Detmold  
 Germany  
 Fon: +49 5231 14-0  
 Fax: +49 5231 14-292083  
 www.weidmueller.com

## Technische Daten

### Dimensions and weights

Net weight 5 g

### System parameters

|  |                              |  |                                 |
|--|------------------------------|--|---------------------------------|
| Product family                             | OMNIMATE Signal - series RSV | Wire connection method                       | Crimp connection                |
| Pitch in mm (P)                            | 5 mm                         | Pitch in inches (P)                          | 0.197 inch                      |
| No. of poles                               | 4                            | Stripping length                             | 4 mm                            |
| L1 in mm                                   | 5 mm                         | L1 in inches                                 | 0.197 inch                      |
| Touch-safe protection acc. to DIN VDE 0470 | IP20 plugged                 | Touch-safe protection acc. to DIN VDE 57 106 | Safe from finger touch, plugged |

### Material data

|                        |            |                           |             |
|------------------------|------------|---------------------------|-------------|
| Insulating material    | Wemid (PA) | Colour                    | Pebble grey |
| Colour chart (similar) | RAL 7032   | UL 94 flammability rating | V-0         |
| CTI                    | ≥ 600      | Contact material          | Cu-Leg      |


### Connectable conductors

|  |                      |  |                      |
|--|----------------------|--|----------------------|
| Clamping range, rated connection, min. | 0.13 mm <sup>2</sup> | Clamping range, rated connection, max. | 3.31 mm <sup>2</sup> |
| Flexible, min. H05(07) V-K             | 0.2 mm <sup>2</sup>  | Flexible, max. H05(07) V-K             | 2.5 mm <sup>2</sup>  |

### DIN IEC rating data

|  |                   |  |        |
|--|-------------------|--|--------|
| Rated current, min. no. of poles (Tu=20°C)                           | 17 A              | Rated current, max. no. of poles (Tu=20°C)                               | 13 A   |
| Rated current, number of poles (Tu=40°C), min                        | 15 A              | Rated current, number of poles (Tu=40°C), max.                           | 11.5 A |
| Rated voltage for surge voltage class pollution degree II/2          | 630 V             | Rated voltage for surge voltage class pollution degree III/2             | 400 V  |
| Rated voltage for surge voltage class pollution degree III/3         | 250 V             | Rated impulse voltage for surge voltage class pollution degree II/2      | 4 kV   |
| Rated impulse voltage for surge voltage class pollution degree III/2 | 4 kV              | Rated impulse voltage for surge voltage class contamination degree III/3 | 4 kV   |
| Short-time withstand current resistance                              | 3 x 1s with 120 A |  |        |

### CSA rating data

|                               |   |                               |        |
|-------------------------------|---|-------------------------------|--------|
| Institute (CSA)               |  | Rated voltage (Use group C)   | 600 V  |
| Rated current (use group C)   | 13 A  | Wire cross-section, AWG, min. | AWG 26 |
| Wire cross-section, AWG, max. | AWG 12  |                               |        |

### UL 1059 rating data

|                |   |
|----------------|---|
| Institute (UR) |  |
|----------------|---|

## OMNIMATE Signal - series RSV RSV1,6 S4 GR

**Weidmüller Interface GmbH & Co. KG**  
Klingenbergstraße 16  
D-32758 Detmold  
Germany  
Fon: +49 5231 14-0  
Fax: +49 5231 14-292083  
www.weidmueller.com

## Technische Daten

### Classifications

|            |             |            |             |
|------------|-------------|------------|-------------|
| ETIM 3.0   | EC001284    | UNSPSC     | 30-21-18-10 |
| eClass 5.1 | 27-26-07-01 | eClass 6.2 | 27-26-07-03 |
| eClass 7.1 | 27-44-01-01 |            |             |

### Notes

- Notes
- Additional colours on request
  - Rated current related to rated cross-section & min. No. of poles.
  - Spacing between rows: see hole layout
  - Rated cross-section depends on crimp contact used.
  - Rated data refer only to the component itself. Clearance and creepage distances to other components are to be designed in accordance with the relevant application standards.
  - Max. outer diameter of the cable (with insulation): 3.5 mm

### Approvals

Approvals



ROHS Conform

### Downloads

CAD Library (P-CAD Format - ASCII) [RSV1.6.zip](#)

CAD Library (P-CAD Format - Standard) [RSV1.6.zip](#)

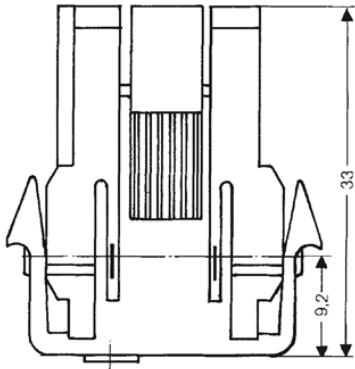
[3D Modell](#)

**Datenblatt**

**OMNIMATE Signal - series RSV  
RSV1,6 S4 GR**

**Weidmüller Interface GmbH & Co. KG**  
 Klingenbergstraße 16  
 D-32758 Detmold  
 Germany  
 Fon: +49 5231 14-0  
 Fax: +49 5231 14-292083  
 www.weidmueller.com

**Zeichnungen**



RSV1.6 CB.. - RSV1.6 CS..

