

SAI Passive SAI-4-M 3P M8

Weidmüller Interface GmbH & Co. KG
 Klingenbergstraße 16
 D-32758 Detmold
 Germany
 Fon: +49 5231 14-0
 Fax: +49 5231 14-292083
 www.weidmueller.com

Similar to illustration



The new slim M8 line from Weidmüller. This range of products is characterised by the marking options at all connection positions. Even the 4-way distributor with 8-pole M12 has adequately large markers at all M8 connection positions. Furthermore, this distributor is shorter than many conventional M8 designs.

- Very narrow, short and flat M8 distributor.
- The range is supplied with 4 to 12 M8 connection positions, 3 or 4 poles.
- Hybrid variants of the M8 are also possible on request.
- The M8 line is equipped with transverse holes.

General ordering data

Type	SAI-4-M 3P M8
Order No.	1784680000
Version	SAI Passive, Sensor-actuator passive distributor, M8, Hood version, Yes
GTIN (EAN)	4032248191499
Qty.	1 pc(s).

**SAI Passive
SAI-4-M 3P M8**

Weidmüller Interface GmbH & Co. KG
 Klingenbergstraße 16
 D-32758 Detmold
 Germany
 Fon: +49 5231 14-0
 Fax: +49 5231 14-292083
 www.weidmueller.com

Technische Daten

Dimensions and weights

Length	107 mm	Width	48 mm
Height	62.2 mm	Net weight	220 g

General data

Connection type PE	Screw connection	Number of contact sockets	4
Fire behaviour	V-0	Contact tube diameter	M8
No. of poles	3	Storage space	Standard
Pollution severity	3	Distributor outlet	Hood version
Insulation resistance	10 ⁹ Ω	Rated voltage , max.	30 V
Rated voltage , min.	10 V	Test voltage	1 kV
Current per signal	2 A	Total current	8 A
Max. current-carrying capacity per slot	2 A	Housing main material	Pocan
Housing colour	grey, RAL 7032	Screw socket	CuZn, nickel-plated
Contact material	CuZn	Contact surface	Gold-plated
Contact carrier material	PBT (UL 94 V0)	Clamping range, rated connection, max.	1 mm ²
Clamping range, rated connection, min.	0.08 mm ²	Conductor O.D.	-
Suitable for cable carriers	Yes	LED initiator	Yes
LED	Yes	LED colour for indicating operation	green
LED colour for I/O function	yellow		

Classifications

ETIM 3.0	EC001856	UNSPSC	30-21-18-01
eClass 6.2	27-06-91-90	eClass 7.1	27-06-91-90

Approvals

Approvals



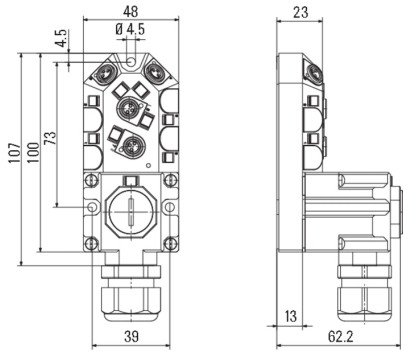
ROHS Conform

SAI Passive SAI-4-M 3P M8

Weidmüller Interface GmbH & Co. KG
Klingenbergstraße 16
D-32758 Detmold
Germany
Fon: +49 5231 14-0
Fax: +49 5231 14-292083
www.weidmueller.com

Zeichnungen

Dimensioned drawing



Circuit diagram

