

PU-Series
PU II 3 R 280V/40kA

Weidmüller Interface GmbH & Co. KG
 Klingenbergstraße 16
 D-32758 Detmold
 Germany
 Fon: +49 5231 14-0
 Fax: +49 5231 14-292083
 www.weidmueller.com



Class II/III surge protection with varistors with U_c: 280 V

Suitable for 230/400V power systems

- Plug-in varistor, top section
- Coded voltage level
- high energy absorption with short time to sparkover
- insert can be rotated through 180°;
- no follow current
- installed in Insta distributor
- thermal protection
- Coordination between Class I with Up: **≤** 900 V

General ordering data

Type	PU II 3 R 280V/40kA
Order No.	885965000
Version	PU-Series, Surge protection, Low voltage, with telecomm. contact
GTIN (EAN)	4032248583461
Qty.	1 pc(s).
Product life cycle	This article will no longer be available in the future.
Discontinuation date	2012-12-31T00:00:00+01:00

PU-Series PU II 3 R 280V/40kA

Weidmüller Interface GmbH & Co. KG
 Klingenbergstraße 16
 D-32758 Detmold
 Germany
 Fon: +49 5231 14-0
 Fax: +49 5231 14-292083
 www.weidmueller.com

Technische Daten

Dimensions and weights

Width	54 mm	Height	97 mm
Depth	64 mm	Net weight	339 g

Temperatures

Operating temperature	-40 °C...+70 °C	Storage temperature	-40 °C...+85 °C
-----------------------	-----------------	---------------------	-----------------

Discharge surge current of top part

Limiting discharge current (8/20 µs) I_{max}	40 kA	Rated discharge current (8/20 µs) I_N	20 kA
--	-------	---	-------

General data

Colour	Black, Arrester red	Design	Installation housing; 3TE
Height with TS 35	63 mm	Lightning arrester	No
Mounting rail	TS 35, TS 35 x 15, TS 35 x 7.5	Optical function display	green = OK; red = arrester is defective - replace
Protection degree	IP 20	Segment	Power distribution

Insulation coordination acc. to EN 50178

Pollution severity	2	Surge voltage category	III
--------------------	---	------------------------	-----

technical data

Rated voltage (AC)	230 V	Max. continuous voltage, U_c (AC)	280 V
Max. continuous voltage, U_c (DC)	350 V	Highest continuous voltage (AC)	280 V
Temporary surge voltage (over-voltage) - TOV	335 V	Limiting discharge current (8/20 µs) I_{max}	40 kA
Max. discharge surge current per path 8/20 µs (N-PE)	40 kA	Combined pulse U_{oc}	6 kV
Rated discharge current (8/20 µs) I_N	20 kA	Fuse, max.	125 A gL
Discharge current, nominal, per path, (8/20 µs)	20 kA	Discharge current, max. (8/20 µs)	110 kA
Protection level at 5kA (U_p)	< 850 V	Protection level at I_N (U_p)	< 1450 V
Signalling contact	250 V 1A 1CO	Colour	Black, Arrester red
AC/DC/UC	AC	Requirements class, acc. to EN 61643-11	T2, T3
Requirements category acc. to IEC 61643-11	Type II, Type III	Response time	≤ 25 ns
Cross-section	25 mm ²		

Connection data

Clamping range, rated connection	25 mm ²	Clamping range, rated connection, min.	4 mm ²
Clamping range, rated connection, max.	16 mm ²	Wire connection cross section, stranded, rated connection, min.	4 mm ²
Wire connection cross section, stranded, rated connection, max.	25 mm ²	Tightening torque, min.	2.5 Nm
Tightening torque, max.	3 Nm	Stripping length, rated connection	15 mm
Wire connection cross section, finely stranded, max.	25 mm ²		

PU-Series PU II 3 R 280V/40kA

Weidmüller Interface GmbH & Co. KG
 Klingenbergstraße 16
 D-32758 Detmold
 Germany
 Fon: +49 5231 14-0
 Fax: +49 5231 14-292083
 www.weidmueller.com

Technische Daten

Power protection Class III

Combined pulse U_{OC}	6 kV	Max. continuous voltage, U_c (AC)	280 V
Max. continuous voltage, U_c (DC)	350 V	Rated voltage (AC)	230 V

Connection data, remote alert

Connection type [remote alert]	pluggable	Max. torque [remote alert]	0.25 Nm
Stripping length [remote alert]	6 mm	Cross-section for connected wire, solid core, min. [remote alert]	0.2 mm ²
Cross-section for connected wire, solid core, max. [remote alert]	1.5 mm ²		

Classifications

ETIM 3.0	EC000941	UNSPSC	30-21-19-21
eClass 5.1	27-13-08-01	eClass 6.2	27-13-08-02
eClass 7.1	27-14-02-01		

Product information

Descriptive text accessories	Pluggable spare arrester PU II 0 280V / 40kA - 8859750000
------------------------------	---

Approvals

Approvals



ROHS	Conform
------	---------

Downloads

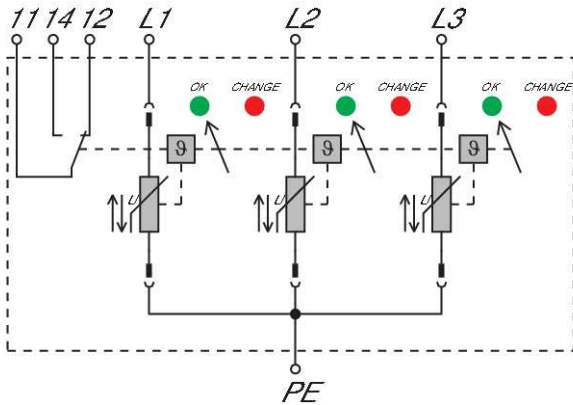
Package insert	Instruction sheet PU II
Declaration of Conformity	CE document
EPLAN	8859650000.ema

PU-Series
PU II 3 R 280V/40kA

Weidmüller Interface GmbH & Co. KG
 Klingenbergstraße 16
 D-32758 Detmold
 Germany
 Fon: +49 5231 14-0
 Fax: +49 5231 14-292083
 www.weidmueller.com

Zeichnungen

Electric symbol



Circuit diagram