

KLIPPON K21 M16ZCSS EX

Weidmüller Interface GmbH & Co. KG
 Klingenbergstraße 16
 D-32758 Detmold
 Germany
 Fon: +49 5231 14-0
 Fax: +49 5231 14-292083
 www.weidmueller.com



Choose a customized distribution box with Ex protection. You can choose between 11 sizes for the Klippon® K (Aluminium) housing series and 5 sizes for the Klippon® POK (Polyester) featuring pre-assembled terminal strips with screw or tension-clamp connection. Every housing comes with metric-sized drilled holes.

General ordering data

Type	KLIPPON K21 M16ZCSS EX
Order No.	800004211
Version	Distributor housing Ex, ATEX II 2GD T85°C Ex e II T6 , KLIPPON K21 EX, KL SET 14Z2.5 S, Drill holes side A: 3 x M16x1.5, Drill holes side B: 3 x M16x1.5
GTIN (EAN)	4032248986408
Qty.	1 pc(s).

KLIPPON K21 M16ZCSS EX

Weidmüller Interface GmbH & Co. KG
Klingenbergstraße 16
D-32758 Detmold
Germany
Fon: +49 5231 14-0
Fax: +49 5231 14-292083
www.weidmueller.com

Technische Daten**Dimensions and weights**

Net weight 237 g

Housing

Drill holes side A	3 x M16x1.5	Drill holes side B	3 x M16x1.5
Material	Aluminium AlSi12		

Classifications

eClass 6.2	27-14-91-07	eClass 7.1	27-14-91-07
------------	-------------	------------	-------------

Product information

Descriptive text ordering data All enclosures are equipped with an external earth stud connection.
*DU = feed-through terminals, PE = PE terminals

Approvals

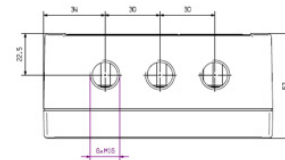
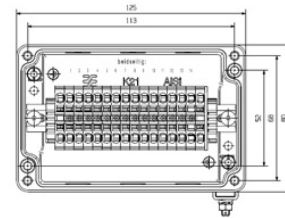
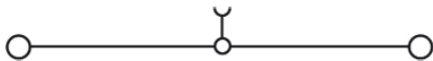
Approvals

Downloads

PDF (3D) [8000004211.pdf](#)
[3D Modell](#)

KLIPPON K21 M16ZCSS EX

Weidmüller Interface GmbH & Co. KG
Klingenbergstraße 16
D-32758 Detmold
Germany
Fon: +49 5231 14-0
Fax: +49 5231 14-292083
www.weidmueller.com

Zeichnungen

K KLIPPON K21 EX

Weidmüller Interface GmbH & Co. KG
 Klingenbergstraße 16
 D-32758 Detmold
 Germany
 Fon: +49 5231 14-0
 Fax: +49 5231 14-292083
 www.weidmueller.com



For many years, the name Klippon® has stood for competence and quality in enclosures. The enclosures are ideal for turnkey customised solutions for standard industrial applications and for explosive-risk applications.

Improved products that meet all application requirements: this was Weidmüller's aim during the update of the Klippon® K housing series. Weidmüller delivers many types of aluminium enclosures; they are designed to fit precisely with a wide range of customer requirements and applications.

Our comprehensive product line provides the following advantages:

- Available in two different surfaces: natural and powder-coated (RAL 7001)
- Available normally with silicone or chloroprene gasket seal
- A uniform Torx-slotted screw head is used for over 19 different housing sizes.
- Mounting holes not within the sealed area
- High degree of protection: IP66, IP67 and IP68
- Impact resistance of up to 10 Joules
- The housings are certified by ATEX, GOST, GOST Ex, cULus, Russian Maritime Register, German Lloyd, as well as the empty housing standard.
- Alloy is resistant to salt water

- Standardised distributor housings with threaded holes and a variety of terminal configurations

General ordering data

Type	KLIPPON K21 EX
Order No.	9526870000
Version	Enclosures, Aluminium AlSi12, 80 mm, 57 mm, 125 mm
GTIN (EAN)	4032248019120
Qty.	1 pc(s).

K KLIPPON K21 EX

Weidmüller Interface GmbH & Co. KG
 Klingenbergstraße 16
 D-32758 Detmold
 Germany
 Fon: +49 5231 14-0
 Fax: +49 5231 14-292083
 www.weidmueller.com

Technische Daten

Dimensions and weights

Length	57 mm	Width	125 mm
Height	80 mm	Mounting dimension - width	113 mm
Mounting dimension - height	52 mm	Weight	400 g
Net weight	472 g		

Cable glands, left

M12 (3)	2	M16 (3)	2
M20 (3)	1		

Cable glands, right

M12 (2)	2	M16 (2)	2
M20 (2)	1	Side of enclosure	left, right

Cable glands, top/bottom

M12	6	M16	4
M20	3	M25	2
Side of enclosure	left, right		

General information

Areas of use	Explosive risk zone, Process industry, Transportation, Packaging industry, Marine engineering, Machine construction, Harbour facilities	Torque for cover screws	2.5 Nm
Material	Aluminium AlSi12	Seal material	Silicone
Surface finish	untreated	Operating temperature, min.	-50 °C
Operating temperature, max.	135 °C	Impact resistance	7.00 J
Protection degree	IP 66, IP 67	Enclosure attachment	Holes 4 mm
Cover attachment	M4 torx stainless steel screws with slot	Integral fixing	Threaded holes M4

horizontal assembly

WDU 2,5 ZDU 2,5 IDU 2,5	1x15	WDU 4 ZDU 4	1x12
-------------------------	------	-------------	------

vertical assembly

WDU 2,5 ZDU 2,5 IDU 2,5 (2)	*	WDU 4 ZDU 4 (2)	*
-----------------------------	---	-----------------	---

Classifications

ETIM 3.0	EC000049	UNSPSC	31-26-15-02
eClass 5.1	27-18-05-02	eClass 6.2	27-18-05-02
eClass 7.1	27-18-05-02		

Test certificates

Certificate No. (ATEX)	KEMA02ATEX2088U	Certificate No. (GERMLLOYD)	44536-07
Certificate No. (MARITREG)	09.04040.250		

**K
KLIPPON K21 EX**

Weidmüller Interface GmbH & Co. KG
 Klingenbergstraße 16
 D-32758 Detmold
 Germany
 Fon: +49 5231 14-0
 Fax: +49 5231 14-292083
 www.weidmueller.com

Technische Daten

Product information

Descriptive text ordering data	The colours of painted enclosures may vary under certain circumstances. **Delivery time available on request.
Descriptive text technical data	*Please refer to the Terminal Block Catalogue or the SAK Series for more information about populating the enclosures with terminal blocks. We recommend BK 6 or BK 6 CRN (0625220000) for vertical installations. There are no pre-defined mounting points set within this enclosure for installing internal equipment in a vertical position.
Descriptive text accessories	The accessory sets contain the necessary mounting material. Necessary on use of 1 hinge per longitudinal side.

Approvals

Approvals

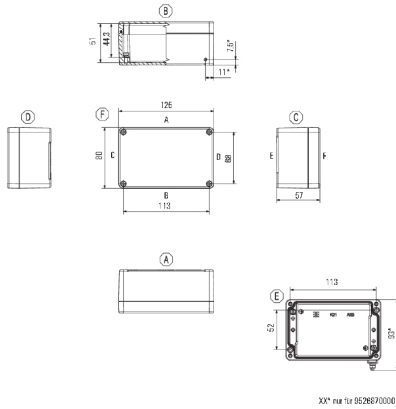


ROHS

Conform

**K
KLIPPON K21 EX**

Weidmüller Interface GmbH & Co. KG
Klingenbergstraße 16
D-32758 Detmold
Germany
Fon: +49 5231 14-0
Fax: +49 5231 14-292083
www.weidmueller.com

Zeichnungen

KL SET 14Z2.5 S**Weidmüller Interface GmbH & Co. KG**

Klingenbergstraße 16

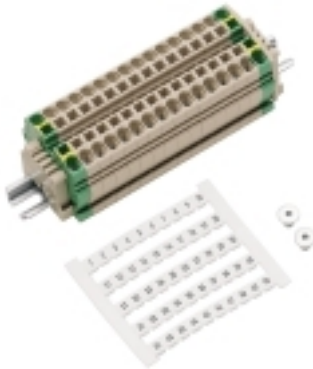
D-32758 Detmold

Germany

Fon: +49 5231 14-0

Fax: +49 5231 14-292083

www.weidmueller.com



The pre-fitted terminal strips are offered with screw-connections or tension-clamp connections. The terminal strips can be mounted directly in the appropriate housing.

Depending on the housing size, the terminal blocks are then mounted on a mounting plate, or on a mounting rail of 15-mm or 35-mm width.

General ordering data

Type	KL SET 14Z2.5 S
Order No.	8000004133
Version	Terminal strip, Mounting rail: TS 15, Fit to housing size: K21, KLIPPON K21
GTIN (EAN)	4032248975518
Qty.	1 pc(s).

KL SET 14Z2.5 S

Weidmüller Interface GmbH & Co. KG
 Klingenbergstraße 16
 D-32758 Detmold
 Germany
 Fon: +49 5231 14-0
 Fax: +49 5231 14-292083
 www.weidmueller.com

Technische Daten

Dimensions and weights

Length	114 mm	Net weight	165 g
--------	--------	------------	-------

Mounting rail

Connection points per terminal block	2	Construction type	Mounting rail with width of 15 mm
Mounting rail	TS 15	Number of feed-through terminals	14
Rated cross-section	2.5 mm ²	Stamp dimensions	4.5 x 20 mm
Type of connection	Tension clamp connection		

Classifications

eClass 6.2	27-14-11-06	eClass 7.1	27-14-11-06
------------	-------------	------------	-------------

Product information

Descriptive text ordering data	Markers numbered 1-50 (horizontal text) and mounting screws are included in the delivery. *DU = feed-through terminals, PE = PE terminals
--------------------------------	--

Downloads

PDF (3D)	8000004133.pdf
3D Modell	

Datenblatt

KL SET 14Z2.5 S

Weidmüller Interface GmbH & Co. KG
Klingenbergstraße 16
D-32758 Detmold
Germany
Fon: +49 5231 14-0
Fax: +49 5231 14-292083
www.weidmueller.com

Zeichnungen

