

CIMR-E7Z

Varispeed E7

Frequency inverter for pumps and fans

- Energy saving function.
- Advanced PID controller with dedicated HVAC functions.
- 12 pulse operation for harmonics reduction.
- Speed search.
- Standard RS-485 communication - MODBUS.
- Optional network cards (DeviceNet, PROFIBUS, CANOpen, LONWORKS).
- CE, UL, and cUL marked and Germanischer Lloyds approval.
- Embedded OMRON PLC functionality with PLC option card
- PC configuration tool CX-drive.
- CE, UL, and cUL marked and Lloyds approval.

E7IP54

- Robust metal chassis.
- LCD operator.
- Built in RFI filter.

Customized software

- The inverter software can be customized to meet specific application. Examples:
- Pump sequencer (S-8801).

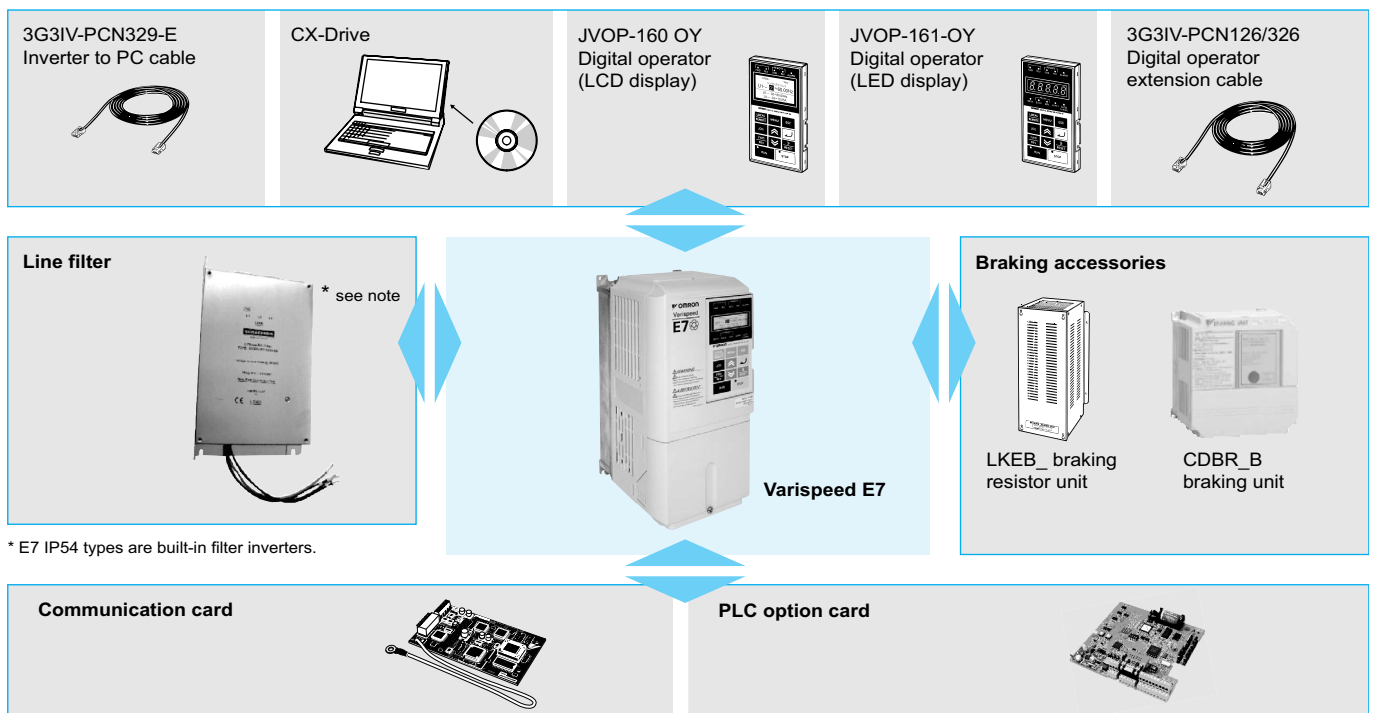
*For detailed information please refer to CASE software section.

Ratings

- 200 V Class 0.4 to 110 kW.
- 400 V Class 0.4 to 300 kW.

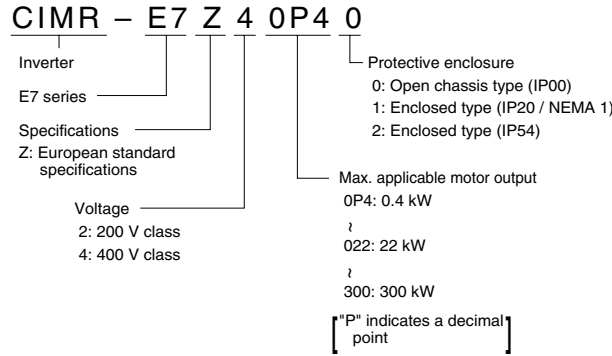


System configuration



* E7 IP54 types are built-in filter inverters.

Type designation



200 V class

Model CIMR-E7Z□		20P4	20P7	21P5	22P2	23P7	25P5	27P5	2011	2015	2018	2022	2030	2037	2045	2055	2075	2090	2110
Max. applicable motor output ¹ Kw		0.55	0.75	1.5	2.2	3.7	5.5	7.5	11	15	18.5	22	30	37	45	55	75	90	110
Output characteristics	Inverter capacity kVA	1.2	1.6	2.7	3.7	5.7	8.8	12	17	22	27	32	44	55	69	82	110	130	160
	Rated current A	3.2	4.1	7.0	9.6	15	23	31	45	58	71	85	115	145	180	215	283	346	415
	Max. voltage	3-phase; 200, 220, 230, or 240 VAC (proportional to input voltage)																	
	Max. output frequency	200.0																	
Power supply	Rated input voltage and frequency	3-phase, 200/208/220/230/240 VAC, 50/60 Hz																	
	Allowable voltage fluctuation	+ 10%, - 15%																	
	Allowable frequency fluctuation	±5%																	
Harmonic wave prevention	DC reactor	Optional									Built in								
	12-pulse input	Not possible									Possible*2								

- Standard 4-pole motors are used for max. applicable motor output. Choose the inverter model whose rated current is allowable within the motor rated current range.
- A 3-wire transformer is required on the power supply for 12-phase rectification.

400 V class

Model CIMR-E7ZZ□		40P4	40P7	41P5	42P2	43P7	44P0	45P5	47P5	4011	4015	4018	4022	4030	4037	4045	4055	4075	4090	4110	4132	4160	4185	4220	4300
IP54 model: CIMR-E7Z		---	---	---	---	---	---	---	47P52	40112	40152	40182	40222	40302	40372	40452	40552	---	---	---	---	---	---	---	---
Max. applicable motor output ¹ Kw		0.55	0.75	1.5	2.2	3.7	4.0	5.5	7.5	11	15	18.5	22	30	37	45	55	75	90	110	132	160	185	220	300
Output characteristics	Inverter capacity kVA	1.4	1.6	2.8	4.0	5.8	6.6	9.5	13	18	24	30	34	46	57	69	85	110	140	160	200	230	280	390	510
	Rated current A	1.8	2.1	3.7	5.3	7.6	8.7	12.5	17	24	31	39	45	60	75	91	112	150	180	216	260	304	370	506	675
	Max. voltage	3-phase; 380, 400, 415, 440, 460, or 480 VAC (proportional to input voltage)																							
	Max. output frequency	200.0																							
Power supply	Rated input voltage and frequency	3-phase, 380, 400, 415, 440, 460 or 480 VAC, 50/60 Hz																							
	Allowable voltage fluctuation	+ 10%, - 15%																							
	Allowable frequency fluctuation	±5%																							
Harmonic wave prevention	DC reactor	Optional												Built in											
	12-pulse input	Not possible												Possible*2											

- Standard 4-pole motors are used for max. applicable motor output. Choose the inverter model whose rated current is allowable within the motor rated current range.
- A 3-wire transformer is required on the power supply for 12-phase rectification

* To agg 400 V class

Enclosures

Model CIMR-E7Z□		20P4	20P7	21P5	22P2	23P7	25P5	27P5	2011	2015	2018	2022	2030	2037	2045	2055	2075	2090	2110					
200 V class	Enclosed type (IEC IP20)	Available as standard									Available for option						Not available							
	Open chassis type (IEC IP00)	Available by removing the upper and lower cover of enclosed type									Available as standard													
Model CIMR-E7Z□		40P4	40P7	41P5	42P2	43P7	45P5	47P5	4011	4015	4018	4022	4030	4037	4045	4055	4075	4090	4110	4132	4160	4185	4220	4300
400 V class	Enclosed type (IEC IP20)	Available as standard									Available for option						Not available							
	Open chassis type (IEC IP00)	Available by removing the upper and lower cover of enclosed type									Available as standard													
	Enclosed type (IP54)	-----									Available as standard						-----							

Common specifications

Model Number CIMR-E7Z□		Specification
Control characteristics	Control method	Sine wave PWM V/f control
	Speed control range	1:40
	Speed control accuracy	±3 (25 °C ± 10 °C)
	Frequency control range	0.0 to 200.0 Hz
	Frequency accuracy (temperature characteristics)	Digital references: ± 0.01% (-10 °C to +40 °C)
		Analog references: ±0.1% (25 °C ±10 °C)
	Frequency setting resolution	Digital references: 0.01 Hz
		Analog references: 0.025/50 Hz (11 bits plus sign)
	Output frequency resolution	0.01 Hz
	Frequency setting signal	0 to +10 V, 4 to 20 mA
Accel/decels time	0.01 to 6000.0 s (2 selectable combinations of independent acceleration and deceleration settings)	
Braking torque	Approximately 20%	
Main control functions	Restarting for momentary power loss, speed searches, overtorque detection, 5-speed control (maximum), acceleration/deceleration time changes, S-curve acceleration, 3-wire control, autotuning, cooling fan ON/OFF control, torque compensation, jump frequencies, upper and lower limits for frequency references, DC braking for starting and stopping, high-slip braking, PI control (with sleep function), energy-saving control, MEMOBUS communications (RS-485/422, 19.2 kbps maximum), fault reset, and copy function.	
Protective functions	Motor protection	Protection by electronic thermal overload relay.
	Instantaneous overcurrent protection	Stops at approx. 200% of rated output current.
	Fuse blown protection	Stops for fuse blown.
	Overload protection	120% of rated output current for 1 minute
	Overvoltage protection	200 class inverter: stops when main-circuit DC voltage is above 410 V. 400 class inverter: stops when main-circuit DC voltage is above 820 V.
	Undervoltage protection	200 class inverter: stops when main-circuit DC voltage is below 190 V. 400 class inverter: stops when main-circuit DC voltage is below 380 V.
	Momentary power loss ride through	By selecting the momentary power loss method, operation can be continued if power is restored within 2 s.
	Cooling fin overheating	Protection by thermistor.
	Stall prevention	Stall prevention during acceleration, deceleration, or running.
Protective structure	Grounding protection	Protection by electronic circuits.
	Charge indicator	Lights up when the main circuit DC voltage is approx. 50 V or more.
	Enclosed wall-mounted type (NEMA 1): 18.5 kW or less (same for 200 V and 400 V class inverters) Open chassis type (IP00): 22 kW or more (same for 200 V and 400 V class inverters) Enclosed wall-mounted type (IP54): From 7.5 Kw to 55 Kw (400 V class inverters)	
Environment	Ambient operating temperature	-10 °C to 40 °C (enclosed wall-mounted type) - 10 °C to 45 °C (open chassis type)
	Ambient operating humidity	95% max. (with no condensation)
	Storage temperature	- 20 °C to + 60 °C (short-term temperature during transportation)
	Application site	Indoor (no corrosive gas, dust, etc.)
	Altitude	1000 m max.
Vibration	10 to 20 Hz, 9.8 m/s ² max.; 20 to 50 Hz, 2 m/s ² max	

Dimensions

Open chassis type (IEC IP00)

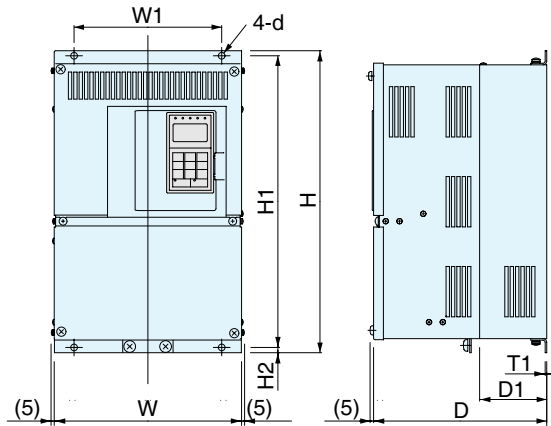


Fig 1

Voltage	Max. applicable motor output kW	Inverter CIMR-E7Z□	Fig	Dimensions in mm									Approx. weight kg	Cooling method	
				W	H	D	W1	H1	H2	D1	T1	d			
200 V class (3-phase)	0.4	----	3	Not available, please use the IP20 type removing the upper and lower cover											
	0.75	----													
	1.5	----													
	2.2	----													
	3.7	----													
	5.5	----													
	7.5	----													
	11	----													
	15	----													
	18.5	----													
	22	2022 0			250	400	258	195	385	7.5	100	2.3	M6	21	Fan cooled
30	2030 0	275	450		220	435								24	
37	2037 0	375	600	298	250	575	12.5	130	3.2	M10	57				
45	2045 0			328							63				
55	2055 0	86													
75	2075 0	87													
90	2090 0	500	850	358	370	820	15	140	4.5	M12	108				
110	2110 0	575	885	378	445	855								150	
400 V class (3-phase)	0.4	----	3	Not available, please use the IP20 type removing the upper and lower cover											
	0.75	----													
	1.5	----													
	2.2	----													
	4.0	----													
	5.5	----													
	7.5	----													
	11	----													
	15	----													
	18.5	----													
	22	4022 0			275	450	258	220	435	7.5	100	2.3	M6	21	Fan cooled
	30	4030 0		325	550	283	260	535							
	37	4037 0		450	725	348	325	700	12.5	130	3.2	M10	88		
	45	4045 0											89		
	55	4055 0		102											
	75	4075 0		120											
	90	4090 0		500	850	358	370	820	15	140	4.5	M12	160		
110	4110 0	575	916	378	445	855	45.8	125.5						260	
132	4132 0	710	1305	413	540	1270	15	125.5	4.5	M12	280				
160	4160 0	916	1475	413	730	1440								405	
185	4185 0														
220	4220 0														
300	4300 0														

Enclosed type (IEC IP20)

E7Z 20P41 to E7Z25P51
E7Z40P41 to E7Z45P51

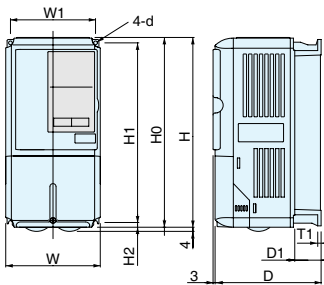


Fig 1

E7Z 27P51 to E7Z20181
E7Z47P51 to E7Z40181

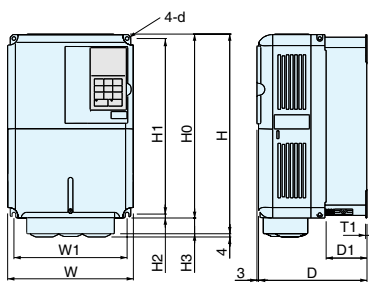


Fig 2

E7Z 20221 to E7Z20751
E7Z40221 to E7Z41601

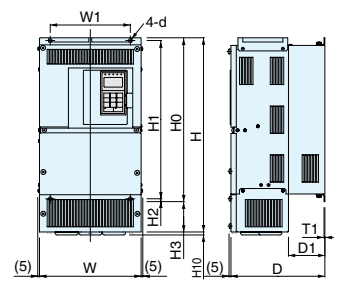
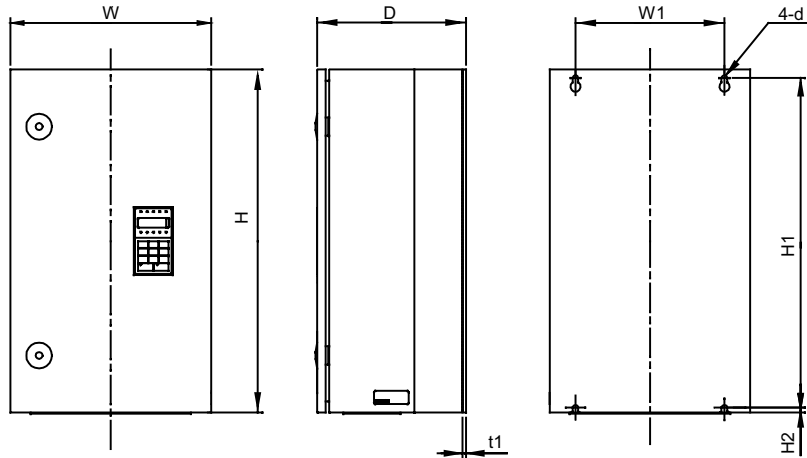


Fig 3

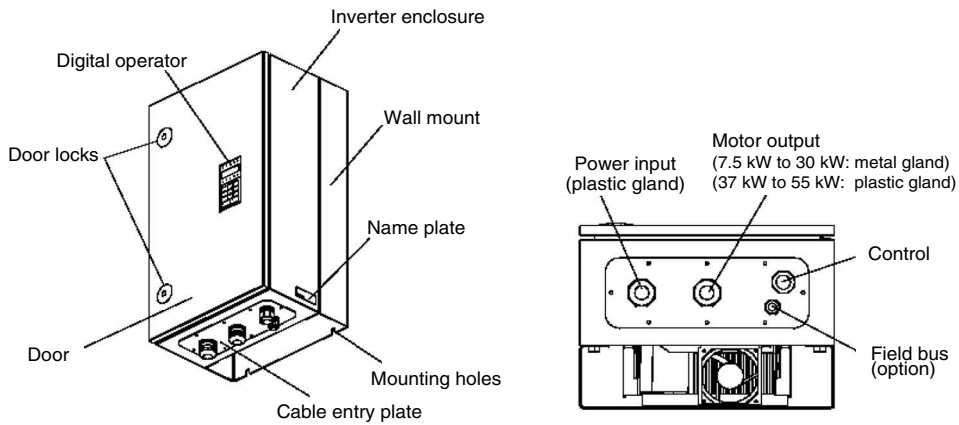
Voltage	Max. applicable motor output kW	Inverter CIMR-E7Z□	Fig	Dimensions in mm											Approx. weight kg	Cooling method																						
				W	H	D	W1	H0	H1	H2	H3	D1	T1	d																								
200 V class (3-phase)	0.4	20P4 1	1	140	280	157	126	280	266	7	---	39	5	M5	3	Self cooled																						
	0.75	20P7 1				177																																
	1.5	21P5 1																																				
	2.2	22P2 1																																				
	3.7	23P7 1																																				
	5.5	25P5 1	2	200	300	197	186	300	285	8	0	65.5	2.3	M6	6	Fan cooled																						
	7.5	27P5 1				207											216	350	335	7.5	30	78	0	7	7													
	11	2011 1																																				
	15	2015 1																																				
	18.5	2018 1				3											240	350	207	216	350	335	7.5	135	100	2.3	M6	11	Fan cooled									
	22	2022 1																												258	220	450	435	165	100	24	27	
	30	2030 1																																				
	37	2037 1																																				
	45	2045 1																																				
	55	2055 1				3											254	535	258	195	400	385	12.5	209	130	3.2	M10	62	Fan cooled									
75	2075 1	328	250	600	575		302	130	94	95																												
75	2075 1																																					
75	2075 1																																					
75	2075 1																																					
400 V class (3-phase)	0.4	40P4 1	1	140	280	157	126	280	266	7	---	39	5	M5	3	Self cooled																						
	0.75	40P7 1				177																																
	1.5	41P5 1																																				
	2.2	42P2 1																																				
	3.7	43P7 1																																				
	4.0	44P0 1	2	200	300	197	186	300	285	8	---	65.5	2.3	M6	6	Fan cooled																						
	5.5	45P5 1				207											216	350	335	7.5	85	100	10															
	7.5	47P5 1																																				
	11	4011 1																																				
	15	4015 1				3											240	350	207	216	350	335	7.5	105	105	2.3	M6	10	Fan cooled									
	18.5	4018 1																												275	535	258	220	450	435	105	105	24
	22	4022 1																																				
	30	4030 1																																				
	37	4037 1																																				
	45	4045 1				3											325	715	283	260	550	535	12.5	302	130	3.2	M10	96	Fan cooled									
	55	4055 1	453	1027	348		325	725	700	12.5	302	130	3.2	M10	97																							
	75	4075 1																																				
	90	4090 1																																				
110	4110 1																																					
132	4132 1	3	504	1243	358	370	850	820	15	393	130	4.5	M12	122	Fan cooled																							
160	4160 1															579	1324	378	445	918	855	45.8	408	140	4.5	M12	130	170										

Enclosed wall-mounted inverters (IP54 type)



Voltage	Max. applicable motor output kW	Inverter CIMR-E7Z□	Dimensions in mm									Heat loss (W)	Cooling method
			W	H	D	W1	H1	H2	T1	d	Approx. weight (kg)		
400 V class (3-phase)	7.5	47P52	350	600	240	260	576	9	2.5	M8	25	304	Fan
	11	40112			260						427		
	15	40152			30						536		
	18.5	40182			30						662		
	22	40222	410	650	300	370	620	12	2.5	M10	43	754	
	30	40302									989		
	37	40372	580	750	330	410	714	11	2.5	M14	71	1145	
	45	40452									1317		
55	40552	1701											

Component names



Accessories

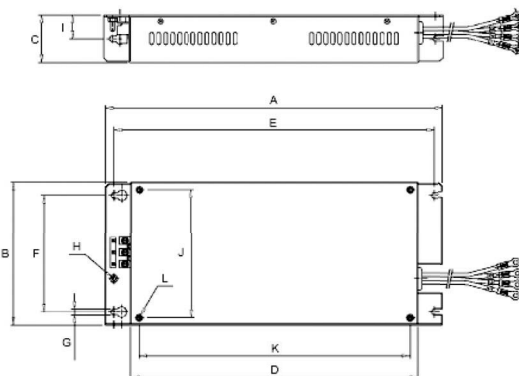
Following parts are delivered in the package with the inverter.

Part name	Qty
Cable gland (for input)*	1
Cable gland (for motor output)*	1
Cable gland (for control)*	1
Cable gland (for fieldbus)*	1
Door key	1
Blind plug (control cable entry)	1
Blind plug (fieldbus cable entry)	1

*Locknuts for each cable gland are also supplied.

Filters

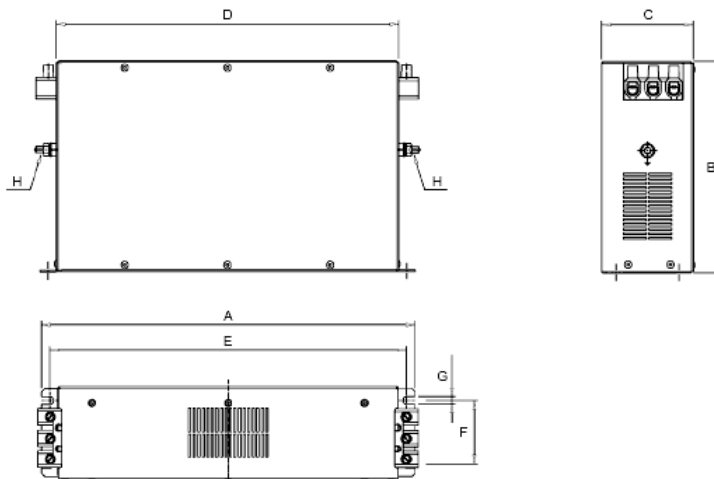
Footprint / Flat filters



Model		Dimensions											
		A	B	C	D	E	F	G	H	I	J	K	L
200 V	3G3RV-PFI2035-SE	330	141	46	281	313	115	5.5	M5	23	126	266	M5
	3G3RV-PFI2060-SE	355	206	60	302	336	175	6.5	M6	30	186	285	M6
	3G3RV-PFI2100-SE	408	236	80	355	390	205	6.5	M6	40	216	335	M6
400 V	3G3RV-PFI3010-SE	330	141	46	281	313	115	5.5	M5	23	126	266	M5
	3G3RV-PFI3018-SE	330	141	46	281	313	115	5.5	M5	23	126	266	M5
	3G3RV-PFI3021-SE	355	206	50	302	336	175	6.5	M4	25	186	285	M5
	3G3RV-PFI3035-SE	355	206	50	302	336	175	6.5	M5	25	186	285	M6
	3G3RV-PFI3060-SE	408	236	65	355	390	205	6.5	M6	32.5	216	335	M6
	3G3RV-PFI3410-SE ¹	386	115	260	306	240	235	12.0	M12	-	-	-	-
	3G3RV-PFI3600-SE ¹	386	135	260	306	240	235	12.0	M12	-	-	-	-
	3G3RV-PFI3800-SE ¹	564	160	300	516	420	275	9.0	M12	-	-	-	-

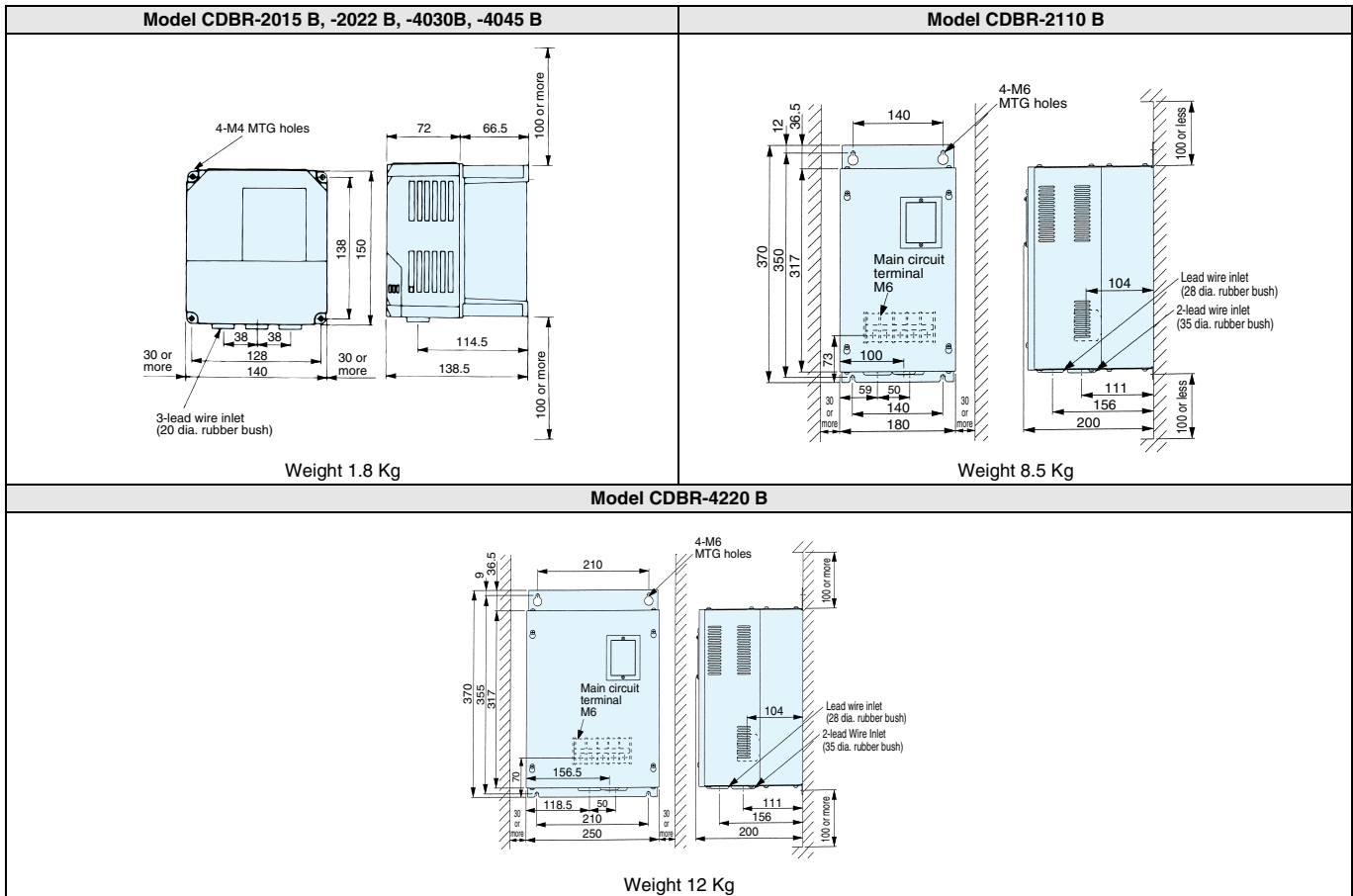
1. Flat filters are not possible to be mounted as footprint filters.

Bookform filters

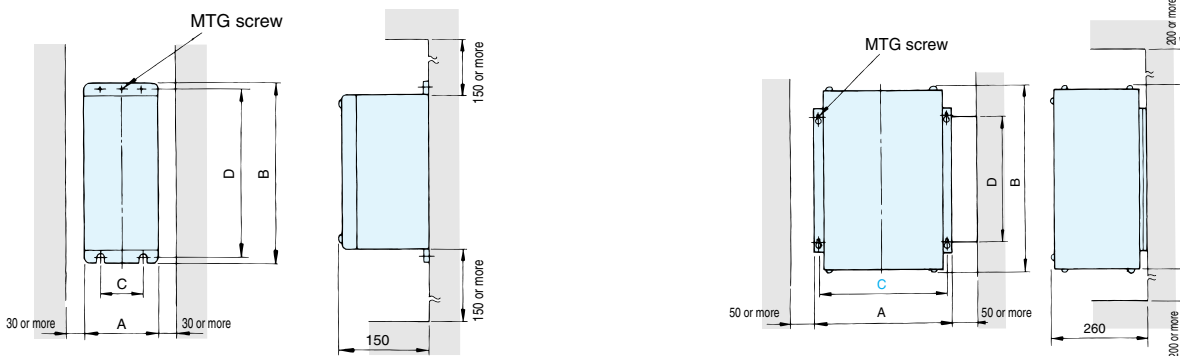


Model		Dimensions								
		A	B	C	D	E	F	G	H	
200 V	3G3RV-PFI2130-SE	366	180	90	280	310	65	6.5	M10	
	3G3RV-PFI2160-SE	451	170	120	350	380	102	6.5	M10	
	3G3RV-PFI2200-SE	610	240	130	480	518	90	8.2	M10	
400 V	3G3RV-PFI3070-SE	331	185	80	300	329	55	6.5	M6	
	3G3RV-PFI3100-SE	326	150	90	240	270	65	6.5	M10	
	3G3RV-PFI3130-SE	370	180	90	280	310	65	6.5	M10	
	3G3RV-PFI3170-SE	451	170	120	350	380	102	6.5	M10	
	3G3RV-PFI3200-SE	610	240	130	480	518	90	8.3	M10	

Braking unit dimensions



Braking resistor unit (separately-installed type) dimensions



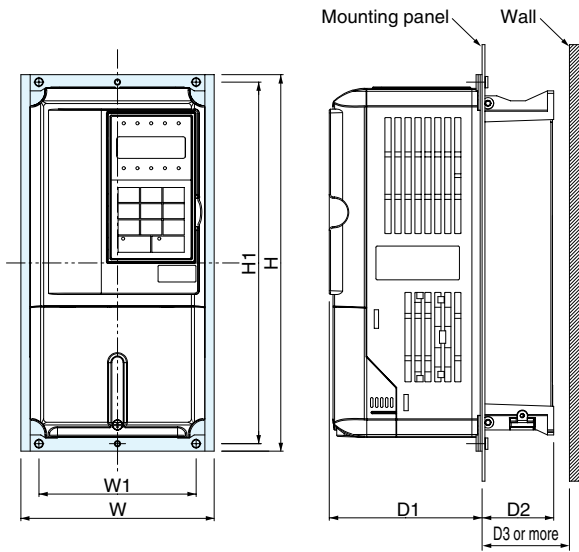
Voltage	Model LKEB-	Dimensions in mm					Weight kg
		A	B	C	D	MTG screw	
220 V class	20P7	105	275	50	260	M5 x 3	3.0
	21P5	130	350	75	335	M5 x 4	4.5
	22P2	130	350	75	335	M5 x 4	4.5
	23P7	130	350	75	335	M5 x 4	5.0
	25P5	250	350	200	335	M6 x 4	7.5
	25P5	250	350	200	335	M6 x 4	8.5
400 V class	40P7	105	275	50	260	M5 x 3	3.0
	41P5	130	350	75	335	M5 x 4	4.5
	42P2	130	350	75	335	M5 x 4	4.5
	43P7	130	350	75	335	M5 x 4	5.0
	45P5	250	350	200	332	M6 x 4	7.5
	47P5	250	350	200	332	M6 x 4	8.5

Voltage	Model LKEB□	Dimensions in mm					Weight kg
		A	B	C	D	MTG screw	
220 V class	2011	266	543	246	340	M8 x 4	10
	2015	356	543	336	340	M8 x 4	15
	2018	446	543	426	340	M8 x 4	19
	2022	446	543	426	340	M8 x 4	19
	4011	350	412	330	325	M6 x 4	16
400 V class	4015	350	412	330	325	M6 x 4	18
	4018	446	543	426	340	M8 x 4	19
	4022	446	543	426	340	M8 x 4	19
	4030	356	956	336	740	M8 x 4	25
	4037	446	956	426	740	M8 x 4	33
	4045	446	956	426	740	M8 x 4	33

Attachments

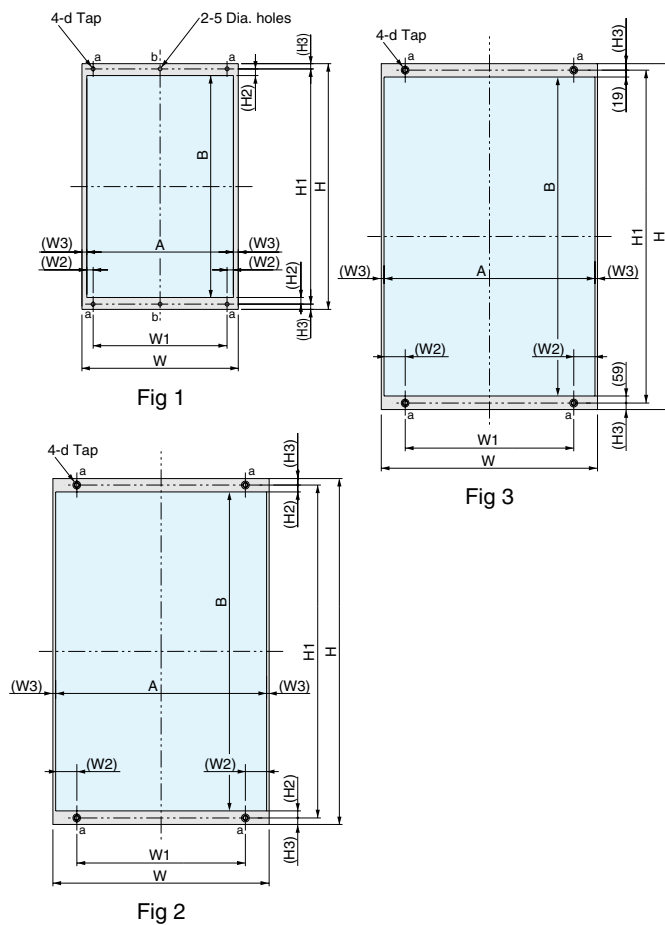
Heatsink external mounting attachment

The Varispeed E7 inverters under the 200/400 V class 18.5 kW or less need this attachment for mounting the heatsink externally. This attachment expands the outer dimensions of the width and height of the inverter. (Attachment is not required for inverters of 22 kW or more.)



Model CIMR- E7Z□	Attachment order code	Dimensions in mm						
		W	H	W1	H1	D1	D2	D3
20P4	EZZ08676A	155	302	126	290	122.6	37.4	40
20P7								
21P5								
22P2								
23P7								
25P5	EZZ08676B	210	330	180	316	136.1	63.4	70
27P5								
2011	EZZ08676C	250	392	216	372	133.6	76.4	85
2015								
2018								
40P4	EZZ08676A	155	302	126	290	122.6	37.4	40
40P7								
41P5								
42P2								
43P7								
45P5	EZZ08676B	210	330	180	316	136.1	63.4	70
47P5								
4011	EZZ08676C	250	392	216	372	133.6	76.4	85
4015								
4018								

Panel cut for external mounting of cooling fin (heatsink)

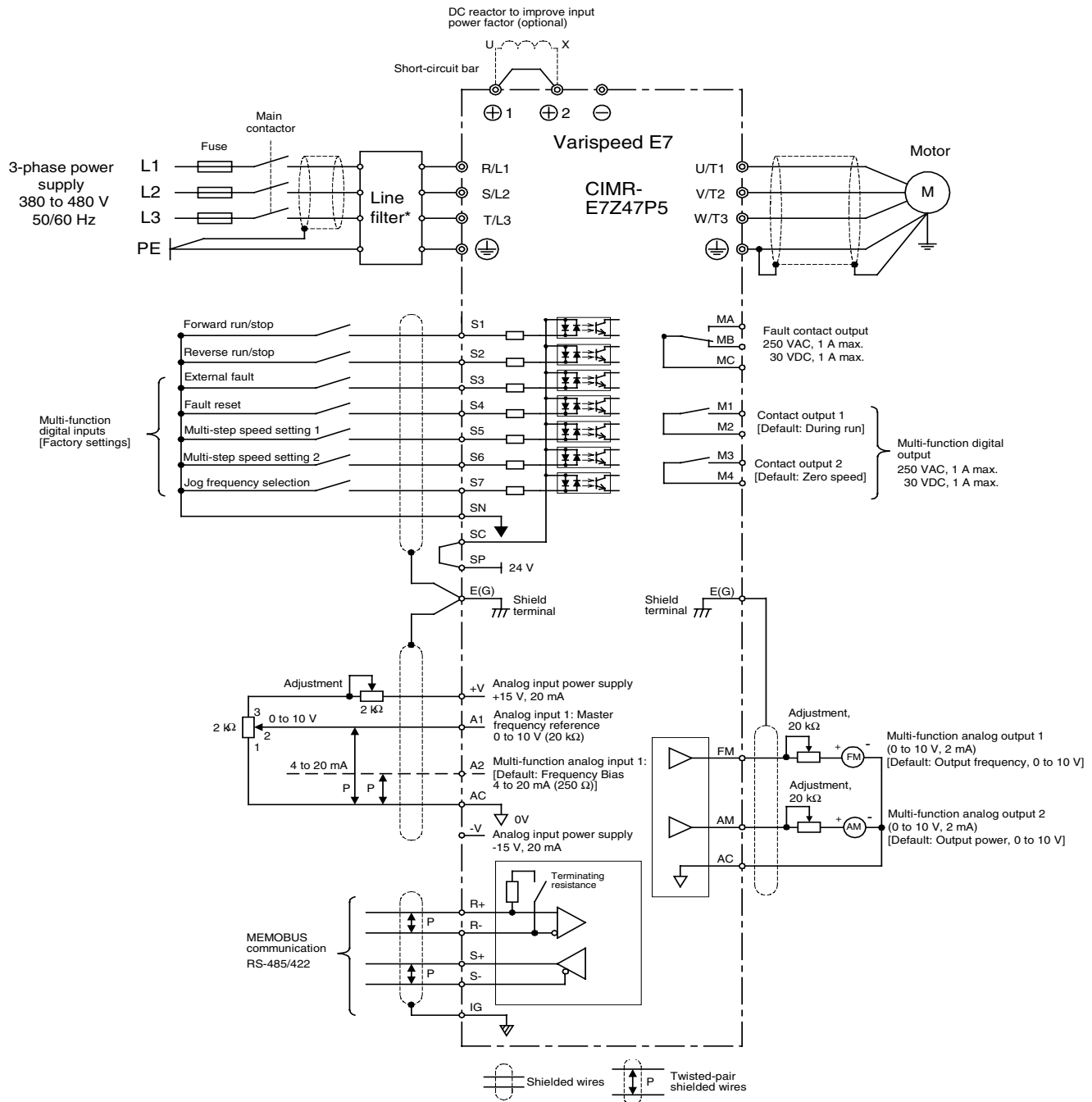


Model CIMR- E7Z□	Drawing	Dimensions in mm																						
		W	H	W1	(W2)	(W3)	H1	(H2)	(H3)	A	B	d												
20P4	1	155	302	126	6	8.5	290	9.5	6	138	271	M5												
20P7																								
21P5																								
22P2																								
23P7																								
25P5																								
27P5																								
2011																								
2015																								
2018																								
2022	2	250	400	195	24.5	3	385	8	7.5	244	369	M6												
2030																								
2037																								
2045																								
2055																								
2075																								
2090																								
2110																								
40P4																								
40P7																								
41P5	1	155	302	126	6	8.5	290	9.5	6	138	271	M5												
42P2																								
43P7																								
45P5																								
47P5																								
4011																								
4015																								
4018																								
4022																								
4030																								
4037	2	275	450	220	24.5	3	435	8	7.5	269	419	M6												
4045																								
4055																								
4075																								
4090																								
4110																								
4132																								
4160																								
4132													2	450	725	325	54.5	8	700	13.5	12.5	434	673	M10
4090																								
4110	2	500	850	370	57	8	820	19	15	484	782	M12												
4132																								
4160	3	575	925	445	55	10	895	15	15	555	817													

1. The sizes are different between the top and the bottom. Refer Fig 3

Installation

Standard connections

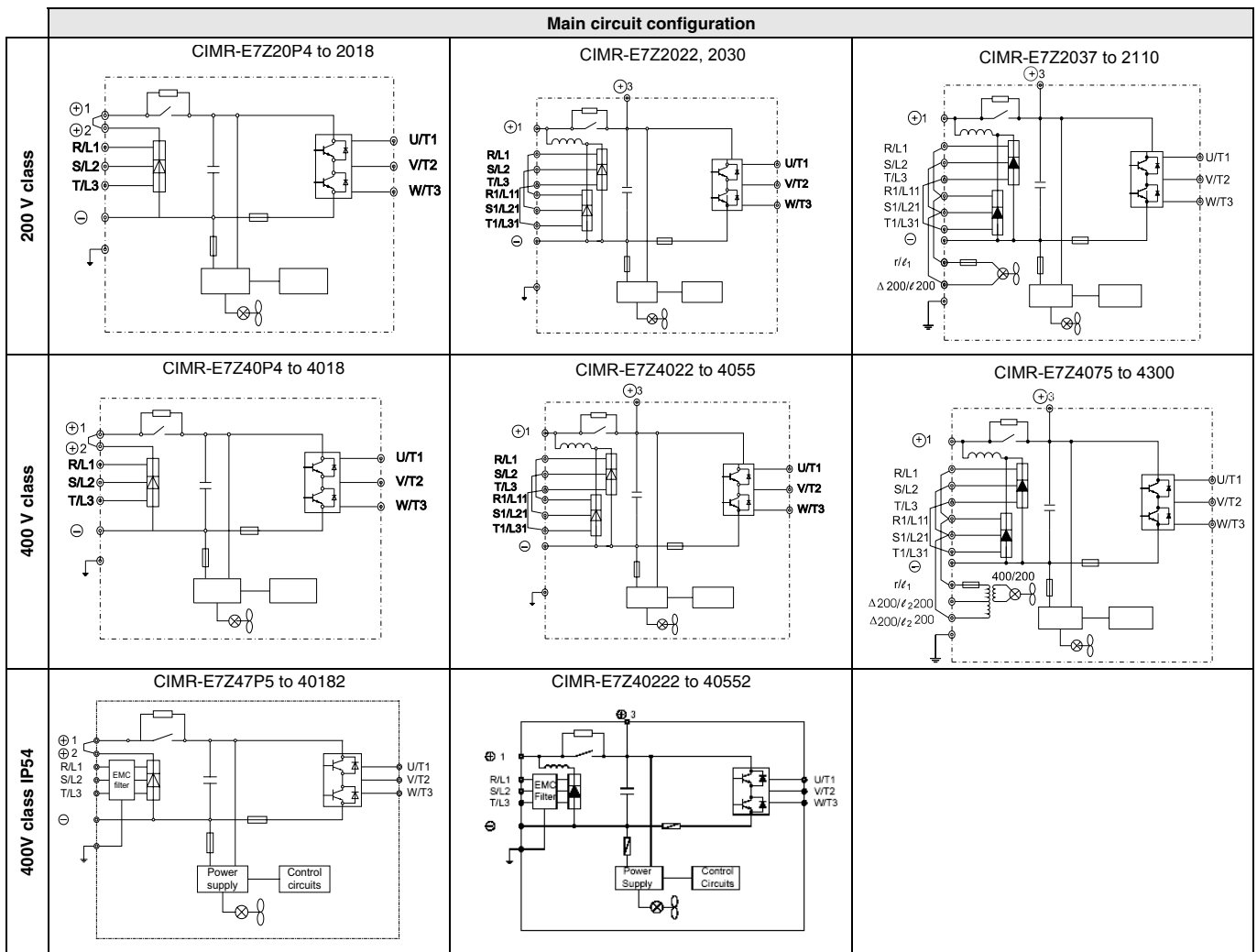


*E7 IP54 types has RFI filter included as standard

Main circuit

Voltage	200 V			400 V			
	Model CIMR-E7Z□	20P4 to 2018	2022, 2030	2037 to 2110	40P4 to 4018	4022 to 4055	4075 to 4300
Max. applicable motor output	0.4 to 18.5 kW	22 to 30 kW	37 to 110 kW	0.4 to 18.5 kW	22 to 55 kW	75 to 300 kW	
R/L1	Main circuit input power supply	Main circuit input power supply		Main circuit input power supply	Main circuit input power supply		R-R1, S-S1 and T-T1 have been wired before shipment (see P59).
S/L2							
T/L3							
R1/L11	---	R-R1, S-S1 and T-T1 have been wired before shipment (see P59).		---	R-R1, S-S1 and T-T1 have been wired before shipment		
S1/L21							
T1/L31							
U/T1	Inverter output			Inverter output			
V/T2							
W/T3							
⊖	DC reactor (⊕1 - ⊕2)	DC power supply (⊕1 - ⊕2)		DC reactor (⊕1 - ⊕2)	DC power supply (⊕1 - ⊕2)		Braking unit (⊕3 - ⊖)
⊕1							
⊕2	---	---		---	---		---
⊕3	---	---		---	---		---
↓ / I ₂	-----			Cooling fan power supply ²	---		Cooling fan power supply ³
r/l1	-----				---		
↓ 200 / I ₂ 200	-----			---		Cooling fan power supply ³	
↓ 400 / I ₂ 400	-----			---			
PE (⊖)	Ground terminal (100 Ω or less)			Ground terminal (10 Ω or less)			

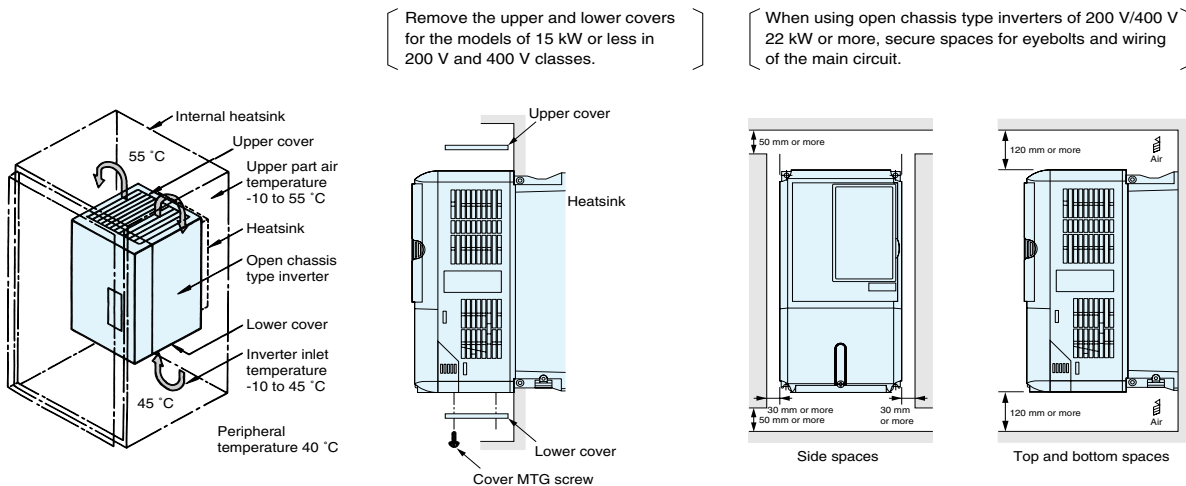
- ⊕1 - ⊖ DC power input does not conform to UL/c-UL listed standard.
- Cooling fan power supply r/l₁ - ↓ / I₂: 200 to 220 VAC 50 Hz, 200 to 230 VAC 60 Hz (A transformer is required for 230 V 50 Hz or 240 V 50/60 Hz power supply.)
- Cooling fan power supply r/l₁ - ↓ / I₂ 200: 200 to 220 VAC 50 Hz, 200 to 230 VAC 60 Hz, r/l₁ - ↓ / I₂ 400: 380 to 480 VAC 50/60 Hz



Control circuit

Type	No.	Signal name	Function	Signal level	
Digital input signals	S1	Forward run/stop command	Forward run when ON; stopped when OFF.	24 VDC, 8 mA photocoupler isolation	
	S2	Reverse run/stop command	Reverse run when ON; stopped when OFF.		
	S3	External fault input ^{*1}	Fault when ON.		
	S4	Fault reset ^{*1}	Reset when ON		
	S5	Multi-step speed reference 1 ^{*1} (Master/auxiliary switch)	Auxiliary frequency reference when ON.		Functions are selected by setting H1-01 to H1-05.
	S6	Multi-step speed reference 2 ^{*1}	Multi-step setting 2 when ON.		
	S7	Jog frequency reference ^{*1}	Jog frequency when ON.		
	SC	Digital input common	–		–
	SN	Digital input neutral	–		–
	SP	Digital input power supply	+24 VDC power supply for digital inputs		24 VDC, 250 mA max. ^{*2}
Analog input signals	+V	15 V power output	15 V power supply for analog references	15 V (max. current: 20 mA)	
	A1	Frequency reference	0 to +10 V/100%	0 to +10 V (20 kΩ)	
	A2	Multi-function analog input	4 to 20 mA/100% 0 V to +10 V/100% 0 to 20 mA/100%	Function is selected by setting H3-09.	4 to 20 mA (250 Ω) 0 V to +10 V (20 kΩ) 0 to 20 mA (250 Ω)
	AC	Analog reference common	–	–	
	E(G)	Shield wire, optional ground line connection point	–	–	
	Digital output signals	M1	Running signal (1NO contact)	Operating when ON.	Relay contacts contact capacity: 1 A max. at 250 VAC 1 A max. at 30 VDC ^{*3}
M2					
M3		Zero speed	Zero level (b2-01) or below when ON		
M4					
MA		Fault output signal	Fault when CLOSED across MA and MC Fault when OPEN across MB and MC		
MB					
MC					
Analog output signals	FM	Multi-function analog output (frequency output)	0 to 10 V, 10 V=100% output frequency	Multi-function analog output 1	
	AC	Analog common	–	–	
	AM	Multi-function analog output (current monitor)	0 to 10 V, 10V = 200% of the inverter rated current	Multi-function analog output 2	
RS-485/422	R+	MEMOBUS communications input	For 2-wire RS-485, short R+ and S+ as well as R- and S-.	Differential input, photocoupler isolation	
	R-				
	S+	MEMOBUS communications output		Differential input, photocoupler isolation	
	S-				
IG	Signal common	–	–		

Note: 1. The default settings are given for terminals S3 to S7. For a 3-wire sequence, the default settings are a 3-wire sequence for S5, multi-step speed setting 1 for S6 and multi-step speed setting 2 for S7.
 2. Do not use this power supply for supplying any external equipment.
 3. When driving a reactive load, such as a relay coil with DC power supply, always insert a flywheel diode.



Inverter heat loss

200 V class

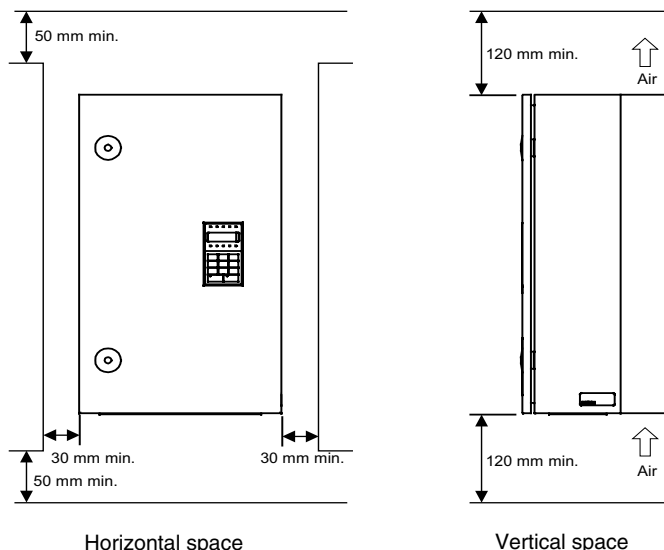
Model CIMR-E7Z□		20P4	20P7	21P5	22P2	23P7	25P5	27P5	2011	2015	2018	2022	2030	2037	2045	2055	2075	2090	2110	
Inverter capacity	kVA	1.2	1.6	2.7	3.7	5.7	8.8	12	17	22	27	32	44	55	69	82	110	130	160	
Rated current	A	3.2	4.1	7.0	9.6	15	23	31	45	58	71	85	115	145	180	215	283	346	415	
Heat loss W	Fin	W	20	27	50	70	112	164	219	374	429	501	586	865	1015	1266	1588	2019	2437	2733
	Inside unit	W	39	42	50	59	74	84	113	170	183	211	274	352	411	505	619	838	997	1242
	Total heat loss	W	59	69	100	129	186	248	332	544	612	712	860	1217	1426	1771	2207	2857	3434	3975
Fin cooling		Self cooled							Fan cooled											

400 V class

Model CIMR-E7Z□		40P4	40P7	41P5	42P2	43P7	44P0	45P5	47P5	401 1	401 5	401 8	402 2	403 0	403 7	404 5	405 5	407 5	409 0	411 0	413 2	416 0	418 5	422 0	430 0	
Inverter capacity	kVA	1.4	1.6	2.8	4.0	5.8	6.0	9.5	13	18	24	30	34	46	57	69	85	110	140	160	200	230	280	390	510	
Rated current	A	1.8	2.1	3.7	5.3	7.6	8.0	12.5	17	24	31	39	45	60	75	91	112	150	180	216	260	304	370	506	675	
Heat loss W	Fin	W	14	17	36	59	80	91	127	193	252	326	426	466	678	784	901	120	139	161	209	238	279	323	374	583
	Inside unit	W	39	41	48	56	68	70	82	114	158	172	208	259	317	360	415	495	575	671	853	100	114	137	153	232
	Total heat loss	W	53	58	84	115	148	161	209	307	410	498	634	725	995	114	131	169	197	228	295	339	393	460	527	815
Fin cooling		Self cooled							Fan cooled																	

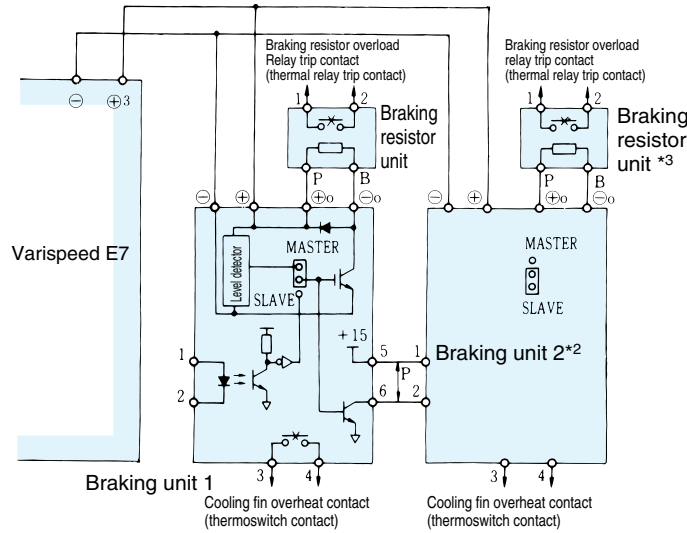
Installation conditions for IP54

Install the inverter vertically in order to ensure a proper cooling. When installing the inverter, always provide the following minimum installation space to allow normal heat dissipation.



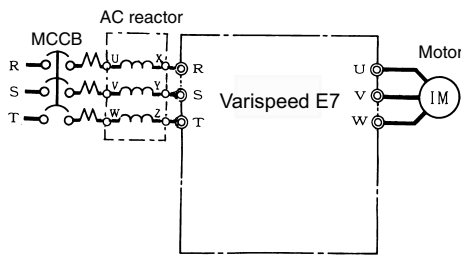
1. Always provide enough space for the main circuit or control lines including cable gland.
2. If installing inverters next to one another provide a minimum spacing of 60 mm.

Connections for braking units

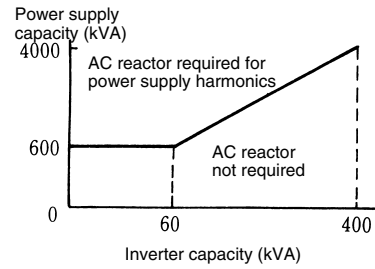


AC reactor

Connection example

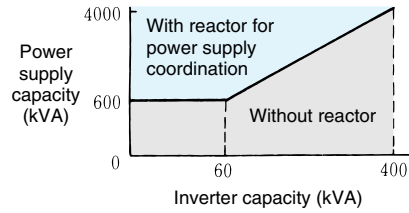
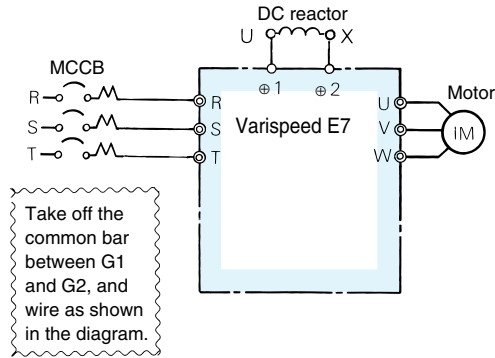


Application example



200 V class			400 V class		
Max. applicable motor output kW	Current value A	Inductance mH	Max. applicable motor output kW	Current value A	Inductance mH
0.4	2.5	4.2	0.4	1.3	18.0
0.75	5	2.1	0.75	2.5	8.4
1.5	10	1.1	1.5	5	4.2
2.2	15	0.71	2.2	7.5	3.6
3.7	20	0.53	3.7	10	2.2
5.5	30	0.35	5.5	15	1.42
7.5	40	0.265	7.5	20	1.06
11	60	0.18	11	30	0.7
15	80	0.13	15	40	0.53
18.5	90	0.12	18.5	50	0.42
22	120	0.09	22	60	0.36
30	160	0.07	30	80	0.26
37	200	0.05	37	90	0.24
45	240	0.044	45	120	0.18
55	280	0.038	55	150	0.15
75	360	0.026	75	200	0.11
90	500	0.02	90/110	250	0.09
110	500	0.02	132/160	330	0.06
			185	490	0.04
			220		
			300	660	0.03

DC reactor



200 V class			400 V class		
Max. applicable motor output kW	Current value A	Inductance mH	Max. applicable motor output kW	Current value A	Inductance mH
0.4	5.4	8	0.4	3.2	28
0.75					
1.5	18	3	1.5	5.7	11
2.2					
3.7					
5.5	36	1	5.5	23	3.6
7.5					
11	72	0.5	11	33	1.9
15					
18.5	90	0.4	18.5	47	1.3
22 to 110	Built-in		22 to 300	Built-in	

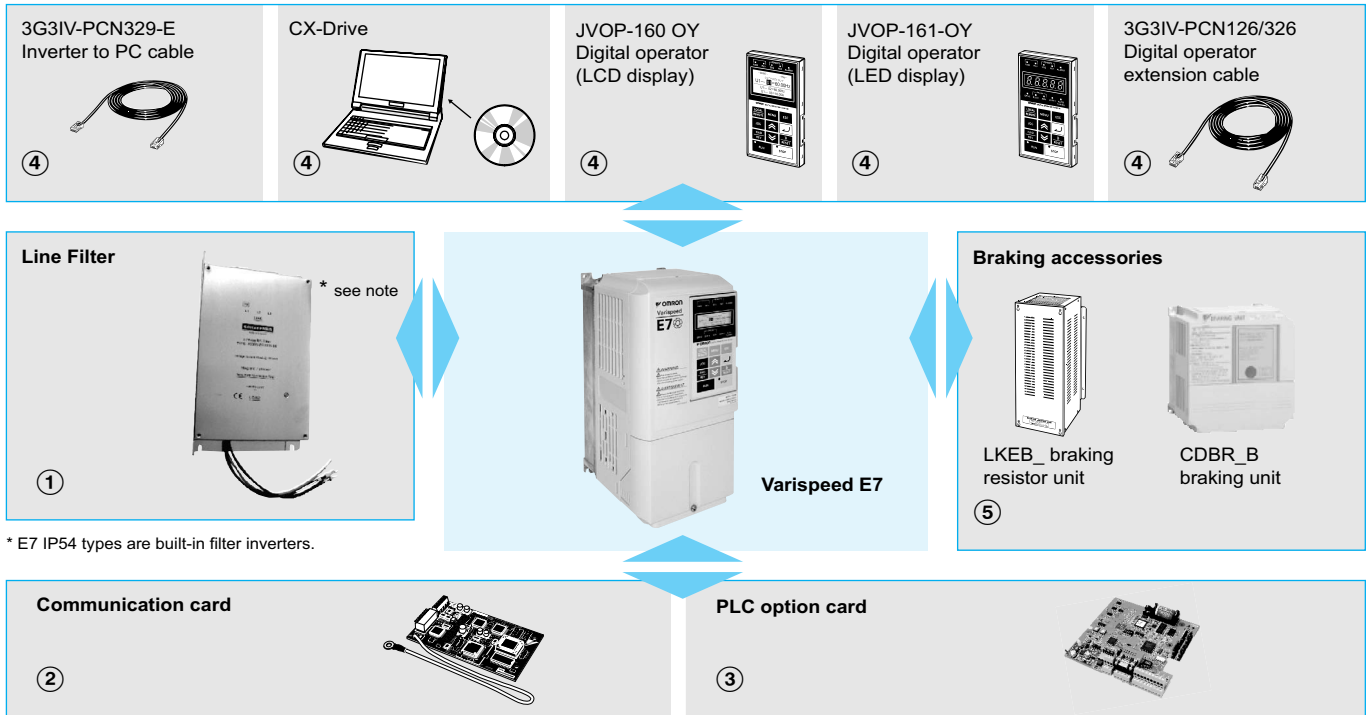
Fuse installation

To protect the inverter, it is recommended to use semiconductor fuses as shown in the table below

Inverter type	FUSE		
	Voltage (V)	Current (A)	I ² t (A ² s)
20P4	240	10	12~25
20P7	240	10	12~25
21P5	240	15	23~55
22P2	240	20	34~98
23P7	240	30	82~220
25P5	240	40	220~610
27P5	240	60	290~1300
2011	240	80	450~5000
2015	240	100	1200~7200
2018	240	130	1800~7200
2022	240	150	870~16200
2030	240	180	1500~23000
2037	240	240	2100~19000
2045	240	300	2700~55000
2055	240	350	4000~55000
2075	240	450	7100~64000
2090	240	550	11000~64000
2110	240	600	13000~83000

Inverter type	FUSE		
	Voltage (V)	Current (A)	I ² t (A ² s)
40P4	480	5	6~55
40P7	480	5	6~55
41P5	480	10	10~55
42P2	480	10	18~55
43P7	480	15	34~72
44P0	480	20	50~570
45P5	480	25	100~570
47P5	480	30	100~640
4011	480	50	150~1300
4015	480	60	400~1800
4018	480	70	700~4100
4022	480	80	240~5800
4030	480	100	500~5800
4037	480	125	750~5800
4045	480	150	920~13000
4055	480	150	1500~13000
4075	480	250	3000~55000
4090	480	300	3800~55000
4110	480	350	5400~23000
4132	480	400	7900~64000
4160	480	450	14000~250000
4185	480	600	20000~250000
4220	480	700	34000~400000
4300	480	900	52000~920000

Ordering information



Varispeed E7



200 V

	Specifications		Model
IP20	0.55 Kw	3.2 A	CIMR-E7Z20P41
	0.75 Kw	4.1 A	CIMR-E7Z20P71
	1.5 Kw	7.0 A	CIMR-E7Z21P51
	2.2 Kw	9.6 A	CIMR-E7Z22P21
	3.7 Kw	15 A	CIMR-E7Z23P71
	5.5 Kw	23 A	CIMR-E7Z25P51
	7.5 Kw	31 A	CIMR-E7Z27P51
	11 Kw	45 A	CIMR-E7Z20111
	15 Kw	58 A	CIMR-E7Z20151
18.5 Kw	71 A	CIMR-E7Z20181	
IP00	22 Kw	85 A	CIMR-E7Z20220
	30 Kw	115 A	CIMR-E7Z20300
	37 Kw	145 A	CIMR-E7Z20370
	45 Kw	180 A	CIMR-E7Z20450
	55 Kw	215 A	CIMR-E7Z20550
	75 Kw	283 A	CIMR-E7Z20750
	90 Kw	345 A	CIMR-E7Z20900
110 Kw	415 A	CIMR-E7Z21100	

400 V

	Specifications		Model
IP20	0.55 Kw	1.8 A	CIMR-E7Z40P41
	0.75 Kw	2.1 A	CIMR-E7Z40P71
	1.5 Kw	3.7 A	CIMR-E7Z41P51
	2.2 Kw	5.3 A	CIMR-E7Z42P21
	3.7 Kw	7.6 A	CIMR-E7Z43P71
	4.0 Kw	8.7 A	CIMR-E7Z44P01
	5.5 Kw	12.5 A	CIMR-E7Z45P51
	7.5 Kw	17 A	CIMR-E7Z47P51
	11 Kw	24 A	CIMR-E7Z40111
	15 Kw	31 A	CIMR-E7Z40151
	18.5 Kw	39 A	CIMR-E7Z40181
	IP00	22 Kw	45 A
30 Kw		60 A	CIMR-E7Z40300
37 Kw		75 A	CIMR-E7Z40370
45 Kw		91 A	CIMR-E7Z40450
55 Kw		112 A	CIMR-E7Z40550
75 Kw		150 A	CIMR-E7Z40750
90 Kw		180 A	CIMR-E7Z40900
110 Kw		216 A	CIMR-E7Z41100
132 Kw		260 A	CIMR-E7Z41320
160 Kw		304 A	CIMR-E7Z41600
185 Kw		370 A	CIMR-E7Z41850
220 Kw		506 A	CIMR-E7Z42200
300 Kw	675 A	CIMR-E7Z43000	

Varispeed E7 IP54



400 V

Specifications			Model
IP54	7.5 Kw	17 A	CIMR-E7Z47P52
	11 Kw	24 A	CIMR-E7Z40112
	15 Kw	31 A	CIMR-E7Z40152
	18.5 Kw	39 A	CIMR-E7Z40182
	22 Kw	45 A	CIMR-E7Z40222
	30 Kw	60 A	CIMR-E7Z40302
	37 Kw	75 A	CIMR-E7Z40372
	45 Kw	91 A	CIMR-E7Z40452
	55 Kw	112 A	CIMR-E7Z40552

① Input filters



200 V

Inverter model	Line filters ¹			
	Type	EN55011 class	Current (A)	Weight (kg)
CIMR-E7Z20P4	3G3RV-PFI3010-SE	B, 25 m A, 100 m	10	1.2
CIMR-E7Z20P7				
CIMR-E7Z21P5				
CIMR-E7Z22P2	3G3RV-PFI3018-SE	B, 25 m A, 100 m	18	1.3
CIMR-E7Z23P7	3G3RV-PFI2035-SE	B, 25 m A, 100 m	35	1.4
CIMR-E7Z25P5				
CIMR-E7Z27P5	3G3RV-PFI2060-SE	B, 25 m A, 100 m	60	3
CIMR-E7Z2011				
CIMR-E7Z2015	3G3RV-PFI2100-SE	B, 25 m A, 100 m	100	4.9
CIMR-E7Z2018				
CIMR-E7Z2022	3G3RV-PFI2130-SE	A, 100 m	130	4.3
CIMR-E7Z2030				
CIMR-E7Z2037	3G3RV-PFI2160-SE	A, 100 m	160	6.0
CIMR-E7Z2045	3G3RV-PFI2200-SE	A, 100 m	200	11.0
CIMR-E7Z2055				
CIMR-E7Z2075	3G3RV-PFI3410-SE	A, 100 m	400	8.6
CIMR-E7Z2090				
CIMR-E7Z2110	3G3RV-PFI3600-SE	A, 100 m	600	11.0

1. Varispeed E7 is a built-in filter inverter.


400 V

Inverter model	Line filters			
	Model	EN 55011 class*	Current (A)	Weight (kg)
CIMR-E7Z40P4	3G3RV-PFI3010-SE	B, 25 m A, 100 m	10	1.2
CIMR-E7Z40P7				
CIMR-E7Z41P5				
CIMR-E7Z42P2	3G3RV-PFI3018-SE	B, 25 m A, 100 m	18	1.3
CIMR-E7Z43P7				
CIMR-E7Z44P0				
CIMR-E7Z45P5	3G3RV-PFI3021-SE	B, 25 m A, 100 m	21	1.8
CIMR-E7Z47P5				
CIMR-E7Z4011	3G3RV-PFI3035-SE	B, 25 m A, 100 m	35	2.2
CIMR-E7Z4015	3G3RV-PFI3060-SE	B, 25 m A, 100 m	60	4.0
CIMR-E7Z4018				
CIMR-E7Z4022	3G3RV-PFI3070-SE	B, 25 m A, 100 m	70	3.4
CIMR-E7Z4030				
CIMR-E7Z4037	3G3RV-PFI3100-SE	A, 100 m	100	4.5
CIMR-E7Z4045				
CIMR-E7Z4055	3G3RV-PFI3130-SE	A, 100 m	130	4.7
CIMR-E7Z4075	3G3RV-PFI3170-SE	A, 100 m	170	6.0
CIMR-E7Z4090	3G3RV-PFI3200-SE	A, 100 m	250	11
CIMR-E7Z4110				
CIMR-E7Z4132	3G3RV-PFI3410-SE	A, 100 m	400	8.6
CIMR-E7Z4160				
CIMR-E7Z4185	3G3RV-PFI3600-SE	A, 100 m	600	11.0
CIMR-E7Z4220				
CIMR-E7Z4300	3G3RV-PFI3800-SE	A, 100 m	800	31.0


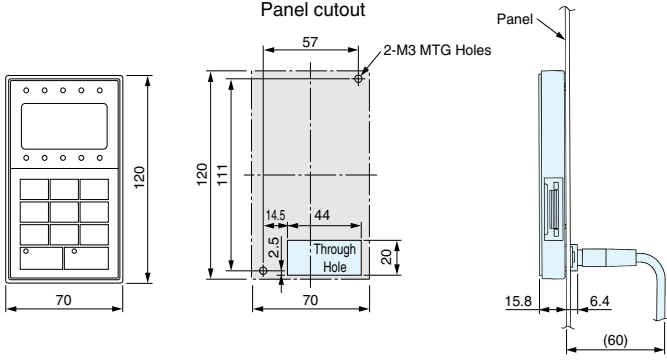


② Communication cards

Type	Model	Description	Function
Communication option cards	3G3RV-PDRT2	DeviceNet option card	• Used for running or stopping the inverter, setting or referencing parameters, and monitoring output frequency, output current, or similar items through DeviceNet communication with the host controller.
	SI-P1	PROFIBUS-DP option card	• Used for running or stopping the inverter, setting or referencing parameters, and monitoring output frequency, output current, or similar items through PROFIBUS-DP communication with the host controller.
	SI-S1	CANopen option card	• Used for running or stopping the inverter, setting or referencing parameters, and monitoring output frequency, output current, or similar items through CANopen communication with the host controller.
	CM090	Ethernet option card	• MODBUS TCP/IP Ethernet interface unit.
	SI-J	LONWORKS option card	• Used for HVAC control, running or stopping the inverter, setting or referencing parameters, and monitoring output current, watt-hours, or similar items through LONWORKS communications with peripheral devices.

③ PLC Option Card

Type	Model	Description	Function
PLC option cards	 3G3-P10CDT-E-DRT	PLC option	<ul style="list-style-type: none"> • Full features, wireless installation and seamless access to the inverter parameters and analogue/digital inputs and outputs • Embedded Compobus/S fieldbus • Standard OMRON tools can be used for programming
		PLC option with DeviceNet	<ul style="list-style-type: none"> • Same features as standard models with DeviceNet support

④ Accessories


Type	Model	Description	Installation
Digital operators	 JVOP-160-OY	5 lines LCD digital operator ¹	 <p>Panel cutout</p> <p>Panel cutout installation</p>
	 JVOP-161-OY	7 segment LED digital operator	
	 JVOP-162	Hand-Off auto operator	
Accessories	3G3IV-PCN126 3G3IV-PCN326	Digital operator extension cable 1 meter 3 meters	----
	3G3IV-PCN329-E	PC configuration cable	----

1. LCD digital operator is the Standard in IP54 types.

④ Computer software

Type	Model	Description	Function
Software	CX-drive	Computer software	Configuration and monitoring software tool
	CX-One	Computer software	Configuration and monitoring software tool

⑤ Braking unit, braking resistor unit

Inverter			Braking unit		Braking resistor unit					
					Separately-installed type (10 %ED, 10 sec. max.) ¹					
Voltage	Max. applicable motor output kW	Model CIMR-EZ□	Model CDBR□	No. of used	Model LKEB□	Specifications of resistor		No. of used	Braking torque %	Connectable min resistance value Ω
200 V class	0.4	20P4	2015B	1	20P7	70 W	200 Ω	1	220	48
	0.75	20P7			20P7	70 W	200 Ω	1	125	48
	1.5	21P5			21P5	260 W	100 Ω	1	125	48
	2.2	22P2			22P2	260 W	70 Ω	1	120	16
	3.7	23P7			23P7	390 W	40 Ω	1	125	16
	5.5	25P5			25P5	520 W	30 Ω	1	115	16
	7.5	27P5			27P5	780 W	20 Ω	1	125	9.6
	11	2011			2011	2400 W	13.6 Ω	1	125	9.6
	15	2015			2015	3000 W	10 Ω	1	125	9.6
	18.5	2018	2022B	1	2015	3000 W	10 Ω	1	125	9.6
	22	2022			2022	4800 W	6.8 Ω	1	125	6.4
	30	2030			2015B	2	2015	3000 W	10 Ω	2
	37	2037	2015B	2	2015	3000 W	10 Ω	2	100	9.6
	45	2045	2022B	2	2022	4800 W	6.8 Ω	2	120	6.4
	55	2055	2022B	2	2022	4800 W	6.8 Ω	2	100	6.4
75	2075	2110B	1	2022	4800 W	6.8 Ω	3	110	1.6	
90	2090	2110B	1	2022	4800 W	6.8 Ω	4	120	1.6	
110	2110	2110B	1	2018	4800 W	8 Ω	5	100	1.6	
400 V class	0.4	40P4	4030B	1	40P7	70 W	750 Ω	1	230	96
	0.75	40P7			40P7	70 W	750 Ω	1	130	96
	1.5	41P5			41P5	260 W	400 Ω	1	125	64
	2.2	42P2			42P2	260 W	250 Ω	1	135	64
	3.7	43P7			43P7	390 W	150 Ω	1	135	32
	5.5	45P5			45P5	520 W	100 Ω	1	135	32
	7.5	47P5			47P5	780 W	75 Ω	1	130	32
	11	4011			4011	1040 W	50 Ω	1	135	20
	15	4015			4015	1560 W	40 Ω	1	125	20
	18.5	4018			4018	4800 W	32 Ω	1	125	19.2
	22	4022			4022	4800 W	27.2 Ω	1	125	19.2
	30	4030			4030	6000 W	20 Ω	1	125	19.2
	37	4037	4045B	1	4037	9600 W	16 Ω	1	125	12.8
	45	4045	4045B	1	4045	9600 W	13.6 Ω	1	125	12.8
	55	4055	4030B	2	4030	6000 W	20 Ω	2	135	19.2
	75	4075	4045B	2	4045	9600 W	13.6 Ω	2	145	12.8
	90	4090	4220B	1	4030	6000 W	20 Ω	3	100	3.2
	110	4110	4220B	1	4030	6000 W	20 Ω	3	100	3.2
	132	4132	4220B	1	4045	9600 W	13.6 Ω	4	140	3.2
	160	4160	4220B	1	4045	9600 W	13.6 Ω	4	140	3.2
	185	4185	4220B	1	4045	9600 W	13.6 Ω	4	120	3.2
220	4220	4220B	1	4037	9600 W	16 Ω	5	110	3.2	
300	4300	4220B	2	4045	9600 W	13.6 Ω	6	110	3.2	

1. Load factor during deceleration to stop a load with constant torque. With constant output or continuous regenerative braking, the load factor is smaller than the specified value.
2. Resistance value per one braking unit. Select a resistance value that is larger than connectable minimum resistance value to obtain enough braking torque.
3. For an application with large regenerative power such as hoisting, the braking torque or other items may exceed the capacity of a braking unit with a braking resistor in a standard combination (can result in capacity overload). Contact your OMRON representatives when the braking torque or any other item exceeds the values in the table.

ALL DIMENSIONS SHOWN ARE IN MILLIMETERS.

To convert millimeters into inches, multiply by 0.03937. To convert grams into ounces, multiply by 0.03527.