

# GT1020/1030

## Graphic Operation Terminals

### The Micro-GOT Generation

Small, Flexible and Easy to Use



ULTRA  
COMPACT

Ultra compact design with flexible mounting options



TOUCH  
SCREEN

Bright 3.7 and 4.5 inch liquid crystal touch screen display



INNOVATIVE  
SOLUTIONS

Innovative alarming, messaging and recipe management



MULTI  
LANGUAGE

Multi-language and True Type font support

# Creative Visual Solutions in a Compact Design



Reporting and control of tank levels, temperature and flow rates are just some of the applications the GT1020/1030 HMI can be used for.

## GT1020/1030 – The first micro GOTs

### ■ High resolution touch screen

The new GT1020/1030 series has a bright 3.7-inch resp. 4.5-inch STN black-and-white liquid crystal display with touch screen and 3-color backlight for use in a variety of display applications. These micro units are micro only in size. They are full of high function capabilities which deliver outstanding benefits.



GT1030



GT1020

High resolution LCD and up to 50 touch keys per screen offers outstanding user flexibility.

The GOT1000 platform is a family of high performance Graphical Operator Terminals (GOT). It combines the best in performance, graphics and functionality in a unique, ultra compact and robust package.

### ■ Intelligent functionality

Recipe management, innovative alarming and messaging are included as standard. The unit has a built-in memory for up to 4000 16-bit data words which can be used to store or exchange data with a connected PLC.

A multilevel security protection is implemented as well as graphical trending, data sampling and time scheduling functions .

High speed response to touch operations is guaranteed due to the fast processing speed of the internal processor.



Small dimensions, high function capabilities

## Ease of use

### Easy screen design

Thanks to the touch panel design, touch keys can be quickly created and placed in any position with 1 pixel accuracy.



### Multi-language operation

The GT1020/1030 can display a number of languages for a variety of countries and areas.

Language switching windows can be easily created allowing up to 10 languages to be switched between.

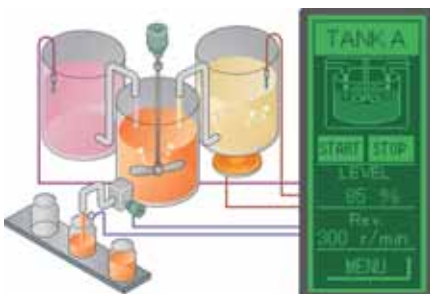
Window switching can take place not only for languages but also for different applications.

### Free font selection

A variety of fonts are available including the standard type set and the windows type set. When windows fonts are selected, italic, underlined and underlined italic are also available.

### Versatile mounting

Both horizontal and vertical mounting is available to meet the needs of different applications.



Application example for vertical mounting

## Enhanced visualization

Thanks to the 3-color backlight screen of the GT1020/1030 both flashing screens and different screen colors can be selected based on the type of information being displayed. Depending on the terminal type it is possible to switch between red, orange and green or white, pink and red. For example, a PLC value could be used to switch the backlight status from green (condition OK) to red (warning).



Normal operation screen during automatic operation, etc.



Manual operation screen during setup change, etc.



Warning screen during material shortage, etc.

## Simple connectivity

### Connector for communication with a PLC

The GT1020/1030 are available with different models for RS232 and RS422 connection to the monitored device, for example Mitsubishi automation components or third party devices.

### Personal computer interface

The PC interface on the rear of the GOTs allows direct connection to a personal computers or laptop for sequence program adjustment, monitoring, testing and debugging.

### Multi-unit connection for high cost performance

Two GT1020 units or two GT1030 units or a combination of both units can be connected to a single PLC by daisy chaining the GOT units together.

### Communication driver

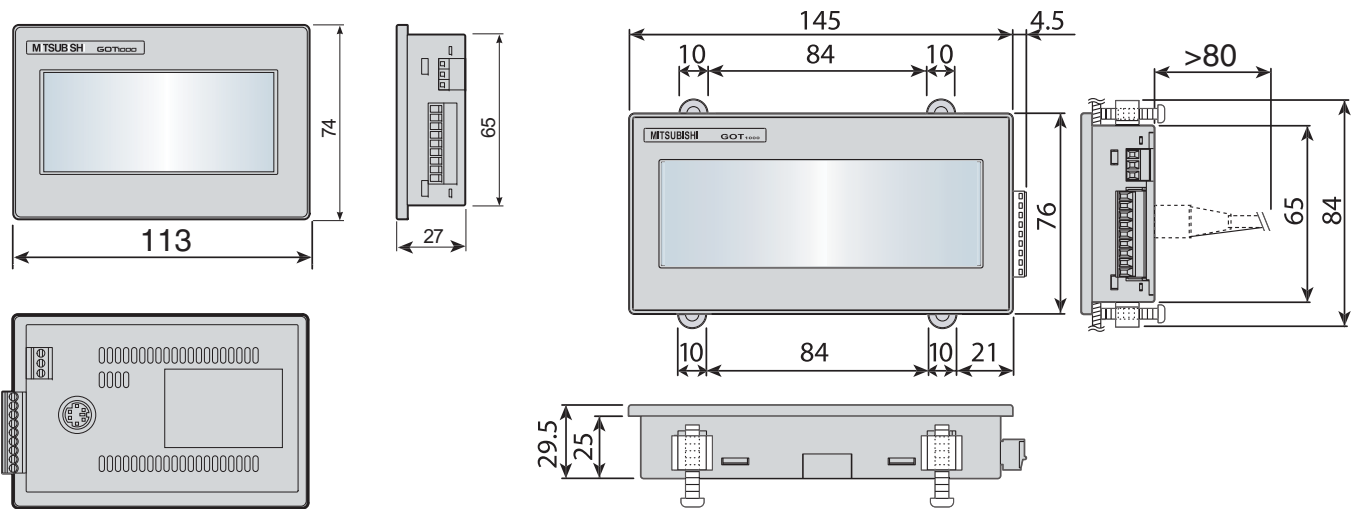
FX series PLC drivers are installed as standard but can be replaced/updated using GTWorks2 for other drivers allowing connection to devices such as Mitsubishi Q series or third party products.



Power terminal  
(depending upon the terminal type)

# Specifications ///

Model	GT1020-LBD GT1020-LBL*	GT1020-LBDW GT1020-LBLW*	GT1020-LBD2	GT1020-LBDW2	GT1030-LBD	GT1030-LBDW	GT1030-LBD2	GT1030-LBDW2
Display type	STN monochrome liquid crystal							
Display diagonal	3.7" (160 x 64 pixel)				4.5" (288 x 96 pixel)			
Display size (W x H)	86.4 x 34.5 mm				109.4 x 36 mm			
Background illumination	tri-color LED green, orange, red	tri-color LED white, pink, red	tri-color LED green, orange, red	tri-color LED white, pink, red	tri-color LED green, orange, red	tri-color LED white, pink, red	tri-color LED green, orange, red	tri-color LED white, pink, red
Brightness	200 cd/m <sup>2</sup>	300 cd/m <sup>2</sup>	200 cd/m <sup>2</sup>	300 cd/m <sup>2</sup>	200 cd/m <sup>2</sup>	300 cd/m <sup>2</sup>	200 cd/m <sup>2</sup>	300 cd/m <sup>2</sup>
Input type	Touch screen (analog)				Touch screen (matrix)			
Number of function keys	50 keys (touch keys) per screen maximum				50 keys (touch keys) per screen maximum			
Key size	2 x 2 pixels / key minimum				16 x 16 pixels / key minimum			
Simultaneous keys	Simultaneous pressing of more than one key is impossible				Max. 2 touch keys can be pressed simultaneously			
User memory	Built-in Flash ROM (512 kB)				Built-in Flash ROM (1.5 MB)			
PLC interface	RS422		RS232		RS422		RS232	
Programming port	Serial, RS232 (6-pin mini)				Serial, RS232 (6-pin mini)			
Acoustic signal	Buzzer sound issued when touch key is pressed (sound length adjustable)							
Power supply	LBD/LBD(W)2: 24 V DC *LBL(W): 5 V DC via PLC		24 V DC	24 V DC	24 V DC			
Power consumption	LBD/LBD(W)2: 1.9 W max. (80 mA/24 V DC) *LBL(W): 1.1 W max. (220 mA/5 V DC)				2.2 W max. (90 mA/24 V DC)			
Protection	IP67				IP67			
Weight (kg)	0.2				0.3			
Programming software	GT Designer2 (version 2.59 or above)							



All dimensions in mm

## EUROPEAN BRANCHES

MITSUBISHI ELECTRIC EUROPE B.V. 25, Boulevard des Bouvets F-92471 Nanterre Cedex Phone: +33 (0)1 55 68 55 68	<b>FRANCE</b>
MITSUBISHI ELECTRIC EUROPE B.V. Gothaer Straße 8 D-40880 Ratingen Phone: +49 (0) 21 02/4 86-0	<b>GERMANY</b>
MITSUBISHI ELECTRIC EUROPE B.V. Westgate Business Park, Ballymount IRL-Dublin 24 Phone: +353 (0)1 4198800	<b>IRELAND</b>
MITSUBISHI ELECTRIC EUROPE B.V. Viale Colleoni 7 I-20041 Agrate Brianza (MI) Phone: +39 039 / 60 53 1	<b>ITALY</b>
MITSUBISHI ELECTRIC EUROPE B.V. Carretera de Rubí 76-80 E-08190 Sant Cugat del Vallés (Barcelona) Phone: +34 93 / 565 3131	<b>SPAIN</b>
MITSUBISHI ELECTRIC EUROPE B.V. Travellers Lane UK-Hatfield Herts. AL10 8 XB Phone: +44 (0)1707 / 27 61 00	<b>UK</b>

## EUROPEAN REPRESENTATIVES

GEVA Wiener Straße 89 AT-2500 Baden Phone: +43 (0)2252 / 85 55 20	<b>AUSTRIA</b>	AutoCont Control Technologická 374/6 CZ-708 00 Ostrava - Pustkovec Phone: +420 (0)569 / 408 841	<b>CZECH REPUBLIC</b>	UTECO A.B.E.E. 5, Mairrogenous Str. GR-18542 Piraeus Phone: +30 211 / 1206 900	<b>GREECE</b>	INTEHSIS srl bld. Traian 23/1 MD-2060 Kishinev Phone: +373 (0)22 / 66 4242	<b>MOLDOVA</b>	ELEKTROSTILY Rubzovskaja nab. 4-3, No. 8 RU-105082 Moscow Phone: +7 495 / 545 3419	<b>RUSSIA</b>	INEA d.o.o. Stegne 11 SI-1000 Ljubljana Phone: +386 (0)1 / 513 8100	<b>SLOVENIA</b>
TEHNIKON Oktyabrskaya 16/5, Off. 703-711 BY-220030 Minsk Phone: +375 (0)17 / 210 46 26	<b>BELARUS</b>	B.TECH, a.s. Ila Ostrove 84 CZ-58001 Havlickuv Brod Phone: +420 569 777 777	<b>CZECH REPUBLIC</b>	MELTRADE Ltd. Fertő utca 14. HU-1107 Budapest Phone: +36 (0)1 / 431-9726	<b>HUNGARY</b>	KONING & HARTMAN B.V. Haarferbergweg 21-23 NL-1101 CH Amsterdam Phone: +31 (0)20 / 587 76 00	<b>NETHERLANDS</b>	ICOS Ryazanskij Prospekt, 8A, Office 100 RU-109428 Moscow Phone: +7 495 / 232 0207	<b>RUSSIA</b>	BEIJER ELECTRONICS AB Box 426 SE-20124 Malmö Phone: +46 (0)40 / 35 86 00	<b>SWEDEN</b>
KONING & HARTMAN B.V. Woluweilaan 31 BE-1800 Vilvoorde Phone: +32 (0)2 / 257 02 40	<b>BELGIUM</b>	B.TECH, a.s. Ila Ostrove 84 CZ-580 01 Havlickuv Brod Phone: +420 569 777 777	<b>CZECH REPUBLIC</b>	ILAN & GAVISH Ltd. 24 Shenkar St., Kiryat Arie IL-49001 Petah-Tiqva Phone: +972 (0)3 / 922 18 24	<b>ISRAEL</b>	BEIJER ELECTRONICS AS Postboks 487 NO-3002 Drammen Phone: +47 (0)32 / 24 30 00	<b>NORWAY</b>	NPP "URALELEKTRA" Sverdlova 11A RU-620027 Ekaterinburg Phone: +7 343 / 353 2745	<b>RUSSIA</b>	ECONOTEC AG Hintendorferstr. 12 CH-8309 Nürensdorf Phone: +41 (0)44 / 838 48 11	<b>SWITZERLAND</b>
AKHNATON 4 Andrej Ljapchev Blvd. Pb 21 BG-1756 Sofia Phone: +359 (0)2 / 97 44 05 8	<b>BULGARIA</b>	BEIJER ELECTRONICS A/S Lautruphøj 1-3 DK-2750 Ballerup Phone: +45 (0)70 / 26 46 46	<b>DENMARK</b>	KAZPROMAUTOM. Ltd. 2, Scladszkaya str. KAZ-470046 Karaganda Phone: +7 3212 / 50 11 50	<b>KAZAKHSTAN</b>	MPL Technology Sp. z o.o. Ul. Krakowska 50 PL-32-083 Balice Phone: +48 (0)12 / 630 47 00	<b>POLAND</b>	CRAFT Cons. & Eng. d.o.o. Bulevar Svetog Cara Konstantina 80-86 SRB-18106 Nis Phone: +381 (0)18 / 292-24-4/5, 523 962	<b>SERBIA</b>	GTS Darulaceze Cad. No. 43 KAT. 2 TR-34384 Olmeydani-Istanbul Phone: +90 (0)212 / 320 1640	<b>TURKEY</b>
INEA CR d.o.o. Losinjka 4 a HR-10000 Zagreb Phone: +385 (0)1 / 36 940-01 / 02 / 03	<b>CROATIA</b>	BEIJER ELECTRONICS ESTI OÜ Pärnu mnt.160i EE-11317 Tallinn Phone: +372 (0)6 / 51 81 40	<b>ESTONIA</b>	BEIJER ELECTRONICS SIA Vestienas iela 2 LV-1035 Riga Phone: +371 (0)784 / 2280	<b>LATVIA</b>	Sirius Trading & Services Aleea Lacul Morii Nr. 3 RO-060841 Bucuresti, Sector 6 Phone: +40 (0)21 / 430 40 06	<b>ROMANIA</b>	INEA SR d.o.o. Karadjordjeva 12/260 RSB-113000 Smederevo Phone: +381 (0)26 / 617 163	<b>SERBIA</b>	CSC Automation Ltd. 15, M. Raskova St., Fl. 10, Office 1010 UA-02002 Kiev Phone: +380 (0)44 / 494 33 55	<b>UKRAINE</b>
AutoCont Control Jelinko 59/3 CZ-721 00 Ostrava Svinov Phone: +420 (0)59 / 5691 150	<b>CZECH REPUBLIC</b>	BEIJER ELECTRONICS OY Jaakonkatu 2 FIN-01620 Vantaa Phone: +358 (0)207 / 463 500	<b>FINLAND</b>	BEIJER ELECTRONICS UAB Savanoriu Pr. 187 LT-02300 Vilnius Phone: +370 (0)5 / 232 3101	<b>LITHUANIA</b>	ELECTROTECHNICAL SYSTEMS Derbenevskaya st. 11A, Office 69 RU-115114 Moscow Phone: +7 495 / 744 55 54	<b>RUSSIA</b>	CS MirTrade Slovensko Vajanského 18 SK-91011 Piestany Phone: +421 (0)33 / 7742 760	<b>SLOVAKIA</b>	CBI Ltd. Private Bag 2016 ZA-1600 Isando Phone: +27 (0)11 / 928 2000	<b>SOUTH AFRICA</b>



Mitsubishi Electric Europe B.V. /// FA - European Business Group /// Gothaer Straße 8 /// D-40880 Ratingen /// Germany  
Tel.: +49(0)2102-4860 /// Fax: +49(0)2102-4861 120 /// info@mitsubishi-automation.com /// www.mitsubishi-automation.com

Specifications subject to change /// Art. no. 206028-D /// 04.2008

All trademarks and copyrights acknowledged.