

Modicon M221 Logic Controller Hardware Guide

11/2015



EIO0000001384.04

www.schneider-electric.com

Schneider
Electric

The information provided in this documentation contains general descriptions and/or technical characteristics of the performance of the products contained herein. This documentation is not intended as a substitute for and is not to be used for determining suitability or reliability of these products for specific user applications. It is the duty of any such user or integrator to perform the appropriate and complete risk analysis, evaluation and testing of the products with respect to the relevant specific application or use thereof. Neither Schneider Electric nor any of its affiliates or subsidiaries shall be responsible or liable for misuse of the information contained herein. If you have any suggestions for improvements or amendments or have found errors in this publication, please notify us.

No part of this document may be reproduced in any form or by any means, electronic or mechanical, including photocopying, without express written permission of Schneider Electric.

All pertinent state, regional, and local safety regulations must be observed when installing and using this product. For reasons of safety and to help ensure compliance with documented system data, only the manufacturer should perform repairs to components.

When devices are used for applications with technical safety requirements, the relevant instructions must be followed.

Failure to use Schneider Electric software or approved software with our hardware products may result in injury, harm, or improper operating results.

Failure to observe this information can result in injury or equipment damage.

© 2015 Schneider Electric. All rights reserved.

Table of Contents



	Safety Information	7
	About the Book	9
Part I	Modicon M221 Logic Controller Introduction . . .	17
Chapter 1	M221 General Overview	19
	TM221C Logic Controller Description	20
	TM221M Logic Controller Description	25
	Maximum Hardware Configuration	30
	TMC2 Cartridges	34
	TM3 Expansion Modules	36
	TM2 Expansion Modules	45
	Accessories	49
Chapter 2	M221 Features	53
	Real Time Clock (RTC)	54
	Input Management	61
	Output Management	65
	Run/Stop	69
	SD Card	72
Chapter 3	M221 Installation	77
3.1	M221 Logic Controller General Rules for Implementing	78
	Environmental Characteristics	79
	Certifications and Standards	82
3.2	M221 Logic Controller Installation	83
	Installation and Maintenance Requirements	84
	TM221C Logic Controller Mounting Positions and Clearances	87
	TM221M Logic Controller Mounting Positions and Clearances	90
	Top Hat Section Rail (DIN rail)	93
	Installing and Removing the Controller with Expansions	96
	Direct Mounting on a Panel Surface	99
3.3	M221 Electrical Requirements	101
	Wiring Best Practices	102
	DC Power Supply Characteristics and Wiring	109
	AC Power Supply Characteristics and Wiring	114
	Grounding the M221 System	117

Part II	Modicon TM221C Logic Controller	121
Chapter 4	TM221C16R	123
	TM221C16R Presentation	123
Chapter 5	TM221CE16R	127
	TM221CE16R Presentation	127
Chapter 6	TM221C16T	131
	TM221C16T Presentation	131
Chapter 7	TM221CE16T	135
	TM221CE16T Presentation	135
Chapter 8	TM221C16U	141
	TM221C16U Presentation	141
Chapter 9	TM221CE16U	145
	TM221CE16U Presentation	145
Chapter 10	TM221C24R	151
	TM221C24R Presentation	151
Chapter 11	TM221CE24R	155
	TM221CE24R Presentation	155
Chapter 12	TM221C24T	159
	TM221C24T Presentation	159
Chapter 13	TM221CE24T	163
	TM221CE24T Presentation	163
Chapter 14	TM221C24U	167
	TM221C24U Presentation	167
Chapter 15	TM221CE24U	173
	TM221CE24U Presentation	173
Chapter 16	TM221C40R	179
	TM221C40R Presentation	179
Chapter 17	TM221CE40R	185
	TM221CE40R Presentation	185
Chapter 18	TM221C40T	191
	TM221C40T Presentation	191
Chapter 19	TM221CE40T	197
	TM221CE40T Presentation	197
Chapter 20	TM221C40U	203
	TM221C40U Presentation	203
Chapter 21	TM221CE40U	209
	TM221CE40U Presentation	209

Chapter 22	Embedded I/O Channels	215
	Digital Inputs	216
	Relay Outputs	232
	Regular and Fast Transistor Outputs	240
	Analog Inputs	249
Part III	Modicon TM221M Logic Controller	253
Chapter 23	TM221M16R / TM221M16RG	255
	TM221M16R / TM221M16RG Presentation	256
	TM221M16R / TM221M16RG Digital Inputs	260
	TM221M16R / TM221M16RG Digital Outputs	264
	TM221M16R / TM221M16RG Analog Inputs	268
Chapter 24	TM221ME16R / TM221ME16RG	273
	TM221ME16R / TM221ME16RG Presentation	274
	TM221ME16R / TM221ME16RG Digital Inputs	279
	TM221ME16R / TM221ME16RG Digital Outputs	283
	TM221ME16R / TM221ME16RG Analog Inputs	287
Chapter 25	TM221M16T / TM221M16TG	291
	TM221M16T / TM221M16TG Presentation	292
	TM221M16T / TM221M16TG Digital Inputs	297
	TM221M16T / TM221M16TG Digital Outputs	302
	TM221M16T / TM221M16TG Analog Inputs	307
Chapter 26	TM221ME16T / TM221ME16TG	311
	TM221ME16T / TM221ME16TG Presentation	312
	TM221ME16T / TM221ME16TG Digital Inputs	317
	TM221ME16T / TM221ME16TG Digital Outputs	322
	TM221ME16T / TM221ME16TG Analog Inputs	327
Chapter 27	TM221M32TK	331
	TM221M32TK Presentation	332
	TM221M32TK Digital Inputs	336
	TM221M32TK Digital Outputs	341
	TM221M32TK Analog Inputs	346
Chapter 28	TM221ME32TK	351
	TM221ME32TK Presentation	352
	TM221ME32TK Digital Inputs	356
	TM221ME32TK Digital Outputs	361
	TM221ME32TK Analog Inputs	366

Part IV	Modicon M221 Logic Controller Communication	371
Chapter 29	Integrated Communication Ports	373
	USB Mini-B Programming Port	374
	Ethernet Port	376
	Serial Line 1	379
	Serial Line 2	383
Chapter 30	Connecting the M221 Logic Controller to a PC	387
	Connecting the Controller to a PC	387
Glossary	391
Index	397

Safety Information



Important Information

NOTICE

Read these instructions carefully, and look at the equipment to become familiar with the device before trying to install, operate, service, or maintain it. The following special messages may appear throughout this documentation or on the equipment to warn of potential hazards or to call attention to information that clarifies or simplifies a procedure.



The addition of this symbol to a “Danger” or “Warning” safety label indicates that an electrical hazard exists which will result in personal injury if the instructions are not followed.



This is the safety alert symbol. It is used to alert you to potential personal injury hazards. Obey all safety messages that follow this symbol to avoid possible injury or death.

DANGER

DANGER indicates a hazardous situation which, if not avoided, **will result in** death or serious injury.

WARNING

WARNING indicates a hazardous situation which, if not avoided, **could result in** death or serious injury.

CAUTION

CAUTION indicates a hazardous situation which, if not avoided, **could result in** minor or moderate injury.

NOTICE

NOTICE is used to address practices not related to physical injury.

PLEASE NOTE

Electrical equipment should be installed, operated, serviced, and maintained only by qualified personnel. No responsibility is assumed by Schneider Electric for any consequences arising out of the use of this material.

A qualified person is one who has skills and knowledge related to the construction and operation of electrical equipment and its installation, and has received safety training to recognize and avoid the hazards involved.

About the Book



At a Glance

Document Scope

Use this document to:

- Install and operate your M221 Logic Controller.
- Connect the M221 Logic Controller to a programming device equipped with SoMachine Basic software.
- Interface the M221 Logic Controller with I/O expansion modules, HMI and other devices.
- Familiarize yourself with the M221 Logic Controller features.

NOTE: Read and understand this document and all related documents before installing, operating, or maintaining your controller.

Validity Note

This document has been updated for the release of SoMachine Basic V1.4.

The technical characteristics of the devices described in this manual also appear online.

The characteristics that are presented in this manual should be the same as those characteristics that appear online. In line with our policy of constant improvement, we may revise content over time to improve clarity and accuracy. If you see a difference between the manual and online information, use the online information as your reference.

For product compliance and environmental information (RoHS, REACH, PEP, EOL, etc.), go to www.schneider-electric.com/green-premium.

Related Documents

Title of Documentation	Reference Number
Modicon M221 Logic Controller - Programming Guide	EIO0000001360 (ENG), EIO0000001361 (FRE), EIO0000001362 (GER), EIO0000001363 (SPA), EIO0000001364 (ITA), EIO0000001365 (CHS), EIO0000001369 (TUR), EIO0000001368 (POR)
Modicon TMH2GDB Remote Graphic Display - User Guide	EIO0000002063 (ENG), EIO0000002064 (FRE), EIO0000002065 (GER), EIO0000002066 (SPA), EIO0000002067 (ITA), EIO0000002068 (CHS), EIO0000002070 (TUR), EIO0000002069 (POR)
Modicon TMC2 Cartridges - Hardware Guide	EIO0000001768 (ENG), EIO0000001769 (FRE), EIO0000001770 (GER), EIO0000001771 (SPA), EIO0000001772 (ITA), EIO0000001773 (CHS), EIO0000001775 (TUR), EIO0000001774 (POR)
Modicon TM3 Digital I/O Modules - Hardware Guide	EIO0000001408 (ENG), EIO0000001409 (FRE), EIO0000001410 (GER), EIO0000001411 (SPA), EIO0000001412 (ITA), EIO0000001413 (CHS), EIO0000001377 (TUR), EIO0000001376(POR)
Modicon TM3 Analog I/O Modules - Hardware Guide	EIO0000001414 (ENG), EIO0000001415 (FRE), EIO0000001416 (GER), EIO0000001417 (SPA), EIO0000001418 (ITA), EIO0000001419 (CHS), EIO0000001379 (TUR), EIO0000001378 (POR)

Title of Documentation	Reference Number
Modicon TM3 Expert I/O Modules - Hardware Guide	EIO0000001420 (ENG), EIO0000001421 (FRE), EIO0000001422 (GER), EIO0000001423 (SPA), EIO0000001424 (ITA), EIO0000001425 (CHS), EIO0000001380 (TUR), EIO0000001381 (POR)
Modicon TM3 Safety Modules - Hardware Guide	EIO0000001831 (ENG), EIO0000001832 (FRE), EIO0000001833 (GER), EIO0000001834 (SPA), EIO0000001835 (ITA), EIO0000001836 (CHS), EIO0000001837 (TUR), EIO0000001838 (POR)
Modicon TM3 Transmitter and Receiver Modules - Hardware Guide	EIO0000001426 (ENG), EIO0000001427 (FRE), EIO0000001428 (GER), EIO0000001429 (SPA), EIO0000001430 (ITA), EIO0000001431 (CHS), EIO0000001382 (TUR), EIO0000001383 (POR)
TM221C DC Logic Controller - Instruction Sheet	EAV48550
TM221C AC Logic Controller - Instruction Sheet	EAV58623
TM221M Logic Controller - Instruction Sheet	HRB59602

You can download these technical publications and other technical information from our website at <http://download.schneider-electric.com>

Product Related Information

DANGER

HAZARD OF ELECTRIC SHOCK, EXPLOSION OR ARC FLASH

- Disconnect all power from all equipment including connected devices prior to removing any covers or doors, or installing or removing any accessories, hardware, cables, or wires except under the specific conditions specified in the appropriate hardware guide for this equipment.
- Always use a properly rated voltage sensing device to confirm the power is off where and when indicated.
- Replace and secure all covers, accessories, hardware, cables, and wires and confirm that a proper ground connection exists before applying power to the unit.
- Use only the specified voltage when operating this equipment and any associated products.

Failure to follow these instructions will result in death or serious injury.

DANGER

POTENTIAL FOR EXPLOSION

- Only use the equipment described in the present document (notwithstanding any noted equipment exceptions) in non-hazardous locations, or in locations that comply with Class I, Division 2, Groups A, B, C and D.
- Do not substitute components which would impair compliance to Class I Division 2.
- Do not connect or disconnect equipment unless power has been removed or the location is known to be non-hazardous.

Failure to follow these instructions will result in death or serious injury.

WARNING

LOSS OF CONTROL

- The designer of any control scheme must consider the potential failure modes of control paths and, for certain critical control functions, provide a means to achieve a safe state during and after a path failure. Examples of critical control functions are emergency stop and overtravel stop, power outage and restart.
- Separate or redundant control paths must be provided for critical control functions.
- System control paths may include communication links. Consideration must be given to the implications of unanticipated transmission delays or failures of the link.
- Observe all accident prevention regulations and local safety guidelines.¹
- Each implementation of this equipment must be individually and thoroughly tested for proper operation before being placed into service.

Failure to follow these instructions can result in death, serious injury, or equipment damage.

¹ For additional information, refer to NEMA ICS 1.1 (latest edition), "Safety Guidelines for the Application, Installation, and Maintenance of Solid State Control" and to NEMA ICS 7.1 (latest edition), "Safety Standards for Construction and Guide for Selection, Installation and Operation of Adjustable-Speed Drive Systems" or their equivalent governing your particular location.

WARNING

UNINTENDED EQUIPMENT OPERATION

- Only use software approved by Schneider Electric for use with this equipment.
- Update your application program every time you change the physical hardware configuration.

Failure to follow these instructions can result in death, serious injury, or equipment damage.

Terminology Derived from Standards

The technical terms, terminology, symbols and the corresponding descriptions in this manual, or that appear in or on the products themselves, are generally derived from the terms or definitions of international standards.

In the area of functional safety systems, drives and general automation, this may include, but is not limited to, terms such as *safety*, *safety function*, *safe state*, *fault*, *fault reset*, *malfunction*, *failure*, *error*, *error message*, *dangerous*, etc.

Among others, these standards include:

Standard	Description
EN 61131-2:2007	Programmable controllers, part 2: Equipment requirements and tests.
ISO 13849-1:2008	Safety of machinery: Safety related parts of control systems. General principles for design.
EN 61496-1:2013	Safety of machinery: Electro-sensitive protective equipment. Part 1: General requirements and tests.
ISO 12100:2010	Safety of machinery - General principles for design - Risk assessment and risk reduction
EN 60204-1:2006	Safety of machinery - Electrical equipment of machines - Part 1: General requirements
EN 1088:2008 ISO 14119:2013	Safety of machinery - Interlocking devices associated with guards - Principles for design and selection
ISO 13850:2006	Safety of machinery - Emergency stop - Principles for design
EN/IEC 62061:2005	Safety of machinery - Functional safety of safety-related electrical, electronic, and electronic programmable control systems
IEC 61508-1:2010	Functional safety of electrical/electronic/programmable electronic safety-related systems: General requirements.
IEC 61508-2:2010	Functional safety of electrical/electronic/programmable electronic safety-related systems: Requirements for electrical/electronic/programmable electronic safety-related systems.
IEC 61508-3:2010	Functional safety of electrical/electronic/programmable electronic safety-related systems: Software requirements.
IEC 61784-3:2008	Digital data communication for measurement and control: Functional safety field buses.
2006/42/EC	Machinery Directive
2004/108/EC	Electromagnetic Compatibility Directive
2006/95/EC	Low Voltage Directive

In addition, terms used in the present document may tangentially be used as they are derived from other standards such as:

Standard	Description
IEC 60034 series	Rotating electrical machines
IEC 61800 series	Adjustable speed electrical power drive systems
IEC 61158 series	Digital data communications for measurement and control – Fieldbus for use in industrial control systems

Finally, the term *zone of operation* may be used in conjunction with the description of specific hazards, and is defined as it is for a *hazard zone* or *danger zone* in the *EC Machinery Directive (EC/2006/42)* and *ISO 12100:2010*.

NOTE: The aforementioned standards may or may not apply to the specific products cited in the present documentation. For more information concerning the individual standards applicable to the products described herein, see the characteristics tables for those product references.

Part I

Modicon M221 Logic Controller Introduction

What Is in This Part?

This part contains the following chapters:

Chapter	Chapter Name	Page
1	M221 General Overview	19
2	M221 Features	53
3	M221 Installation	77

Chapter 1

M221 General Overview

Overview

This chapter provides general information about the M221 Logic Controller system architecture and its components.

What Is in This Chapter?

This chapter contains the following topics:

Topic	Page
TM221C Logic Controller Description	20
TM221M Logic Controller Description	25
Maximum Hardware Configuration	30
TMC2 Cartridges	34
TM3 Expansion Modules	36
TM2 Expansion Modules	45
Accessories	49

TM221C Logic Controller Description

Overview

The TM221C Logic Controller has various powerful features and can service a wide range of applications.

Software configuration, programming, and commissioning are accomplished with the SoMachine Basic software described in the SoMachine Basic Operating Guide (*see SoMachine Basic, Operating Guide*) and the M221 Logic Controller - Programming Guide (*see Modicon M221, Logic Controller, Programming Guide*).

Programming Languages

The M221 Logic Controller is configured and programmed with the SoMachine Basic software, which supports the following IEC 61131-3 programming languages:

- IL: Instruction List
- LD: Ladder Diagram
- Grafcet (List)
- Grafcet (SFC)

Power Supply

The power supply of the TM221C Logic Controller is 24 Vdc (*see page 109*) or 100...240 Vac (*see page 114*).

Real Time Clock

The M221 Logic Controller includes a Real Time Clock (RTC) system (*see page 54*).

Run/Stop

The M221 Logic Controller can be operated externally by the following:

- a hardware Run/Stop switch (*see page 69*)
- a Run/Stop (*see page 69*) operation by a dedicated digital input, defined in the software configuration (for more information, refer to Configuring Digital Inputs (*see Modicon M221, Logic Controller, Programming Guide*)).
- SoMachine Basic software (for more information, refer to Toolbar (*see SoMachine Basic, Operating Guide*)).
- a TMH2GDB Remote Graphic Display (for more information, refer to Controller State Menu (*see Modicon TMH2GDB, Remote Graphic Display, User Guide*)).

Memory

This table describes the different types of memory:

Memory Type	Size	Used to
RAM	512 Kbytes of RAM memory: 256 Kbytes for internal variables and 256 Kbytes for application and data.	execute the application and contain data
Non-volatile	1.5 Mbytes, of which 256 Kbytes is used to back up the application and data in case of power outage.	save the application

Embedded Inputs/Outputs

The following embedded I/O types are available, depending on the controller reference:

- Regular inputs
- Fast inputs associated with counters
- Regular sink/source transistor outputs
- Fast sink/source transistor outputs associated with pulse generators
- Relay outputs
- Analog inputs

Removable Storage

The M221 Logic Controllers include an embedded SD card slot ([see page 72](#)).

The Modicon M221 Logic Controller allows the following types of file management with an SD card:

- Clone management ([see Modicon M221, Logic Controller, Programming Guide](#)): back up the application, firmware, and post configuration (if it exists) of the logic controller
- Firmware management ([see Modicon M221, Logic Controller, Programming Guide](#)): download firmware to the logic controller and to a TMH2GDB Remote Graphic Display
- Application management ([see Modicon M221, Logic Controller, Programming Guide](#)): back up and restore the logic controller application, or copy it to another logic controller of the same reference
- Post configuration management ([see Modicon M221, Logic Controller, Programming Guide](#)): add, change, or delete the post configuration file of the logic controller
- Error log management ([see Modicon M221, Logic Controller, Programming Guide](#)): back up or delete the error log file of the logic controller
- Memory management: back up and restore memory bits and words from a controller

Embedded Communication Features

The following types of communication ports are available depending on the controller reference:

- Ethernet ([see page 376](#))
- USB Mini-B ([see page 374](#))
- Serial Line 1 ([see page 379](#))

Remote Graphic Display

For more information, refer to the Modicon TMH2GDB Remote Graphic Display - User Guide.

TM221C Logic Controller

Reference	Digital Inputs	Digital Outputs	Analog Inputs	Communication Ports	Power Supply
TM221C16R (see page 123)	5 regular inputs ⁽¹⁾ 4 fast inputs (HSC) ⁽²⁾	7 relay outputs	Yes	1 serial line port 1 USB programming port	100...240 Vac
TM221CE16R (see page 127)			Yes	1 serial line port 1 USB programming port 1 Ethernet port	
TM221C16T (see page 131)	5 regular inputs ⁽¹⁾ 4 fast inputs (HSC) ⁽²⁾	Source outputs 5 regular transistor outputs 2 fast outputs (PLS/PWM/PTO) ⁽³⁾	Yes	1 serial line port 1 USB programming port	24 Vdc
TM221CE16T (see page 135)			Yes	1 serial line port 1 USB programming port 1 Ethernet port	
TM221C16U (see page 141)	5 regular inputs ⁽¹⁾ 4 fast inputs (HSC) ⁽²⁾	Sink outputs 5 regular transistor outputs 2 fast outputs (PLS/PWM/PTO) ⁽³⁾	Yes	1 serial line port 1 USB programming port	24 Vdc
TM221CE16U (see page 145)				1 serial line port 1 USB programming port 1 Ethernet port	

NOTE: The TM221C Logic Controller uses removable screw terminal blocks.

(1) The regular inputs have a maximum frequency of 5 kHz.

(2) The fast inputs can be used either as regular inputs or as fast inputs for counting or event functions.

(3) The fast transistor outputs can be used either as regular transistor outputs, or for PLS, PWM or PTO functions, or reflex outputs for HSC.

Reference	Digital Inputs	Digital Outputs	Analog Inputs	Communication Ports	Power Supply
TM221C24R (see page 151)	10 regular inputs ⁽¹⁾ 4 fast inputs (HSC) ⁽²⁾	10 relay outputs	Yes	1 serial line port 1 USB programming port	100...240 Vac
TM221CE24R (see page 155)			Yes	1 serial line port 1 USB programming port 1 Ethernet port	
TM221C24T (see page 159)		Source outputs 8 regular transistor outputs 2 fast outputs (PLS/PWM/PTO) ⁽³⁾	Yes	1 serial line port 1 USB programming port	24 Vdc
TM221CE24T (see page 163)			Yes	1 serial line port 1 USB programming port 1 Ethernet port	
TM221C24U (see page 167)	10 regular inputs ⁽¹⁾ 4 fast inputs (HSC) ⁽²⁾	Sink outputs 8 regular transistor outputs 2 fast outputs (PLS/PWM/PTO) ⁽³⁾	Yes	1 serial line port 1 USB programming port	24 Vdc
TM221CE24U (see page 173)			Yes	1 serial line port 1 USB programming port 1 Ethernet port	
TM221C40R (see page 179)	20 regular inputs ⁽¹⁾ 4 fast inputs (HSC) ⁽²⁾	16 relay outputs	Yes	1 serial line port 1 USB programming port	100...240 Vac
TM221CE40R (see page 185)			Yes	1 serial line port 1 USB programming port 1 Ethernet port	
TM221C40T (see page 191)		Source outputs 14 regular transistor outputs 2 fast outputs (PLS/PWM/PTO) ⁽³⁾	Yes	1 serial line port 1 USB programming port	24 Vdc
TM221CE40T (see page 197)			Yes	1 serial line port 1 USB programming port 1 Ethernet port	

NOTE: The TM221C Logic Controller uses removable screw terminal blocks.

(1) The regular inputs have a maximum frequency of 5 kHz.

(2) The fast inputs can be used either as regular inputs or as fast inputs for counting or event functions.

(3) The fast transistor outputs can be used either as regular transistor outputs, or for PLS, PWM or PTO functions, or reflex outputs for HSC.

Reference	Digital Inputs	Digital Outputs	Analog Inputs	Communication Ports	Power Supply
TM221C40U (see page 203)	20 regular inputs ⁽¹⁾ 4 fast inputs (HSC) ⁽²⁾	Sink outputs 12 regular transistor outputs 4 fast outputs (PLS/PWM/PTO) ⁽³⁾	Yes	1 serial line port 1 USB programming port	24 Vdc
TM221CE40U (see page 209)			Yes	1 serial line port 1 USB programming port 1 Ethernet port	

NOTE: The TM221C Logic Controller uses removable screw terminal blocks.

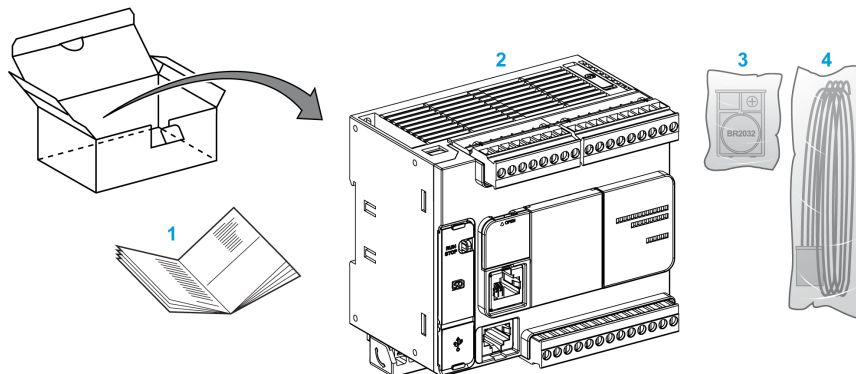
(1) The regular inputs have a maximum frequency of 5 kHz.

(2) The fast inputs can be used either as regular inputs or as fast inputs for counting or event functions.

(3) The fast transistor outputs can be used either as regular transistor outputs, or for PLS, PWM or PTO functions, or reflex outputs for HSC.

Delivery Content

The following figure presents the content of the delivery for a TM221C Logic Controller:



- 1 TM221C Logic Controller Instruction Sheet
- 2 TM221C Logic Controller
- 3 Battery holder with lithium carbon monofluoride battery, type Panasonic BR2032.
- 4 Analog cable

TM221M Logic Controller Description

Overview

The TM221M Logic Controller has various powerful features and can service a wide range of applications.

Software configuration, programming, and commissioning are accomplished with the SoMachine Basic software described in the SoMachine Basic Operating Guide (*see SoMachine Basic, Operating Guide*) and the M221 Logic Controller - Programming Guide (*see Modicon M221, Logic Controller, Programming Guide*).

Programming Languages

The M221 Logic Controller is configured and programmed with the SoMachine Basic software, which supports the following IEC 61131-3 programming languages:

- IL: Instruction List
- LD: Ladder Diagram
- Grafcet (List)
- Grafcet (SFC)

Power Supply

The power supply of the TM221M Logic Controller is 24 Vdc (*see page 109*).

Real Time Clock

The M221 Logic Controller includes a Real Time Clock (RTC) system (*see page 54*).

Run/Stop

The M221 Logic Controller can be operated externally by the following:

- a hardware Run/Stop switch (*see page 69*)
- a Run/Stop operation by a dedicated digital input, defined in the software configuration (for more information, refer to Configuring Digital Inputs (*see Modicon M221, Logic Controller, Programming Guide*))
- SoMachine Basic software (for more information, refer to Toolbar (*see SoMachine Basic, Operating Guide*)).
- a TMH2GDB Remote Graphic Display (for more information, refer to Controller State Menu (*see Modicon TMH2GDB, Remote Graphic Display, User Guide*)).

Memory

This table describes the different types of memory:

Memory Type	Size	Used to
RAM	512 Kbytes of RAM memory: 256 Kbytes for internal variables and 256 Kbytes for application and data.	execute the application and contains data
Non-volatile	1.5 Mbytes, of which 256 Kbytes is used to back up the application and data in case of power outage.	save the application

Embedded Inputs/Outputs

The following embedded I/O types are available, depending on the controller reference:

- Regular inputs
- Fast inputs (HSC)
- Regular transistor outputs
- Fast transistor outputs (PLS/PWM/PTO)
- Relay outputs
- Analog inputs

Removable Storage

The M221 Logic Controllers include an embedded SD card slot ([see page 72](#)).

The Modicon M221 Logic Controller allows the following types of file management with an SD card:

- Clone management (*see Modicon M221, Logic Controller, Programming Guide*): back up the application, firmware, and post configuration (if it exists) of the logic controller
- Firmware management (*see Modicon M221, Logic Controller, Programming Guide*): download firmware updates directly to the logic controller, and download firmware to a TMH2GDB Remote Graphic Display
- Application management (*see Modicon M221, Logic Controller, Programming Guide*): back up and restore the logic controller application, or copy it to another logic controller of the same reference
- Post configuration management (*see Modicon M221, Logic Controller, Programming Guide*): add, change, or delete the post configuration file of the logic controller
- Error log management (*see Modicon M221, Logic Controller, Programming Guide*): back up or delete the error log file of the logic controller
- Memory management: backup/restore of memory bits and words from a controller

Embedded Communication Features

The following communication ports are available on the front panel of the controller, depending on the controller reference:

- Ethernet (*see page 376*)
- USB Mini-B (*see page 374*)
- SD Card (*see page 72*)
- Serial Line 1 (*see page 379*)
- Serial Line 2 (*see page 383*)

Remote Graphic Display

For more information, refer to the Modicon TMH2GDB Remote Graphic Display - User Guide.

TM221M Logic Controller

Reference	Digital Input	Digital Output	Analog Input	Communication Ports	Terminal Type
TM221M16R (<i>see page 255</i>)	4 regular inputs ⁽¹⁾ 4 fast inputs (HSC) ⁽²⁾	8 relay outputs	Yes	2 serial line ports 1 USB programming port	Removable screw terminal blocks
TM221M16RG (<i>see page 255</i>)	4 regular inputs ⁽¹⁾ 4 fast inputs (HSC) ⁽²⁾	8 relay outputs	Yes	2 serial line ports 1 USB programming port	Removable spring terminal blocks
TM221ME16R (<i>see page 273</i>)	4 regular inputs ⁽¹⁾ 4 fast inputs (HSC) ⁽²⁾	8 relay outputs	Yes	1 serial line port 1 USB programming port 1 Ethernet port	Removable screw terminal blocks
TM221ME16RG (<i>see page 273</i>)	4 regular inputs ⁽¹⁾ 4 fast inputs (HSC) ⁽²⁾	8 relay outputs	Yes	1 serial line port 1 USB programming port 1 Ethernet port	Removable spring terminal blocks
TM221M16T (<i>see page 291</i>)	4 regular inputs ⁽¹⁾ 4 fast inputs (HSC) ⁽²⁾	6 regular transistor outputs 2 fast transistor outputs (PLS/PWM/PTO) ⁽³⁾	Yes	2 serial line ports 1 USB programming port	Removable screw terminal blocks

NOTE: The TM221M Logic Controller uses a 24 Vdc power supply (*see page 109*).

(1) The regular inputs I2, I3, I4, and I5 have a maximum frequency of 5 kHz.

The other regular inputs have a maximum frequency of 100 Hz.

(2) The fast inputs can be used either as regular inputs or as fast inputs for counting or event functions.

(3) The fast transistor outputs can be used as regular transistor outputs, or for PLS, PWM or PTO functions, or reflex outputs for HSC.

Reference	Digital Input	Digital Output	Analog Input	Communication Ports	Terminal Type
TM221M16TG (see page 291)	4 regular inputs ⁽¹⁾ 4 fast inputs (HSC) ⁽²⁾	6 regular transistor outputs 2 fast transistor outputs (PLS/PWM/PTO) ⁽³⁾	Yes	2 serial line ports 1 USB programming port	Removable spring terminal blocks
TM221ME16T (see page 311)	4 regular inputs ⁽¹⁾ 4 fast inputs (HSC) ⁽²⁾	6 regular transistor outputs 2 fast transistor outputs (PLS/PWM/PTO) ⁽³⁾	Yes	1 serial line port 1 USB programming port 1 Ethernet port	Removable screw terminal blocks
TM221ME16TG (see page 311)	4 regular inputs ⁽¹⁾ 4 fast inputs (HSC) ⁽²⁾	6 regular transistor outputs 2 fast transistor outputs (PLS/PWM/PTO) ⁽³⁾	Yes	1 serial line port USB programming port 1 Ethernet port	Removable spring terminal blocks
TM221M32TK (see page 331)	12 regular inputs ⁽¹⁾ 4 fast inputs (HSC) ⁽²⁾	14 regular transistor outputs 2 fast outputs (PLS/PWM/PTO) ⁽³⁾	Yes	2 serial line ports 1 USB programming port	HE10 (MIL 20) connectors
TM221ME32TK (see page 331)	12 regular inputs ⁽¹⁾ 4 fast inputs (HSC) ⁽²⁾	14 regular outputs 2 fast outputs (PLS/PWM/PTO) ⁽³⁾	Yes	1 serial line port 1 USB programming port 1 Ethernet port	HE10 (MIL 20) connectors

NOTE: The TM221M Logic Controller uses a 24 Vdc power supply (see page 109).

(1) The regular inputs I2, I3, I4, and I5 have a maximum frequency of 5 kHz.

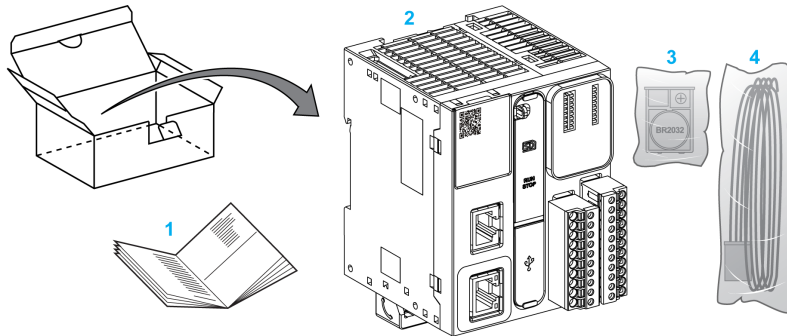
The other regular inputs have a maximum frequency of 100 Hz.

(2) The fast inputs can be used either as regular inputs or as fast inputs for counting or event functions.

(3) The fast transistor outputs can be used as regular transistor outputs, or for PLS, PWM or PTO functions, or reflex outputs for HSC.

Delivery Content

The following figure presents the content of the delivery for a TM221M Logic Controller:



- 1 TM221M Logic Controller Instruction Sheet
- 2 TM221M Logic Controller
- 3 Battery holder with lithium carbon monofluoride battery, type Panasonic BR2032.
- 4 Analog cable

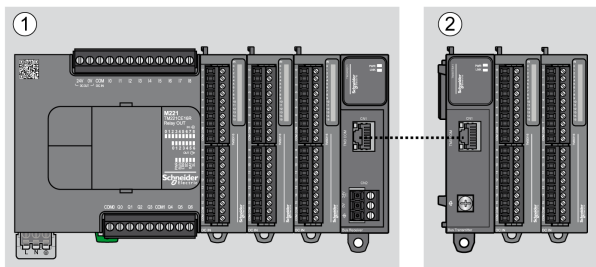
Maximum Hardware Configuration

Introduction

The M221 Logic Controller is a control system that offers an all-in-one solution with optimized configurations and an expandable architecture.

Local and Remote Configuration Principle

The following figure defines the local and remote configurations:



- (1) Local configuration
- (2) Remote configuration

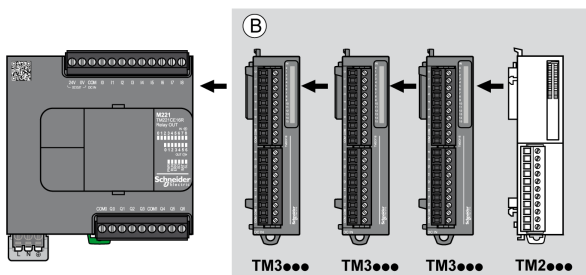
M221 Logic Controller Local Configuration Architecture

Optimized local configuration and flexibility are provided by the association of:

- M221 Logic Controller
- TM3 expansion modules
- TM2 expansion modules

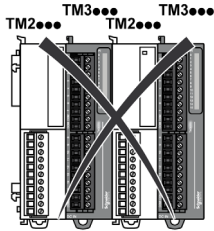
Application requirements determine the architecture of your M221 Logic Controller configuration.

The following figure represents the components of a local configuration:



- (B) Expansion modules (see maximum number of modules)

NOTE: You cannot mount a TM2 module before any TM3 module as indicated in the following figure:



M221 Logic Controller Remote Configuration Architecture

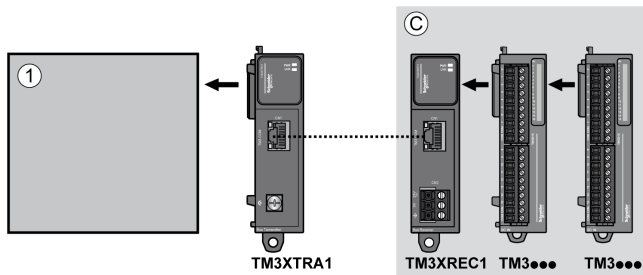
Optimized remote configuration and flexibility are provided by the association of:

- M221 Logic Controller
- TM3 expansion modules
- TM3 transmitter and receiver modules

Application requirements determine the architecture of your M221 Logic Controller configuration.

NOTE: You cannot use TM2 modules in configurations that include the TM3 transmitter and receiver modules.

The following figure represents the components of a remote configuration:



- (1) Logic controller and modules
 (C) Expansion modules (7 maximum)

Maximum Number of Modules

The following table shows the maximum configuration supported:

References	Maximum	Type of Configuration
TM221C16• TM221CE16•	4 TM3 / TM2 expansion modules	Local
TM221C24• TM221CE24• TM221C40• TM221CE40• TM221M16R• TM221ME16R• TM221M16T• TM221ME16T• TM221M32TK TM221ME32TK	7 TM3 / TM2 expansion modules	Local
TM3XREC1	7 TM3 expansion modules	Remote
NOTE: TM3 transmitter and receiver modules are not included in a count of the maximum number of expansion modules.		

NOTE: The configuration with its TM3 and TM2 expansion modules is validated by SoMachine Basic software in the **Configuration** window taking into account the total power consumption of the installed modules.

NOTE: In some environments, the maximum configuration populated by high consumption modules, coupled with the maximum distance allowable between the TM3 transmitter and receiver modules, may present bus communication issues although the SoMachine Basic software allows for the configuration. In such a case you will need to analyze the consumption of the modules chosen for your configuration, as well as the minimum cable distance required by your application, and possibly seek to optimize your choices.

Current Supplied to the I/O Bus

The following table shows the maximum current supplied by the controllers to the I/O Bus:

Reference	IO Bus 5 Vdc	IO Bus 24 Vdc
TM221C16R TM221CE16R	325 mA	120 mA
TM221C16T TM221CE16T	325 mA	148 mA
TM221C16U TM221CE16U	325 mA	148 mA
TM221C24R TM221CE24R	520 mA	160 mA
TM221C24T TM221CE24T	520 mA	200 mA
TM221C24U TM221CE24U	520 mA	200 mA
TM221C40R TM221CE40R	520 mA	240 mA
TM221C40T TM221CE40T	520 mA	304 mA
TM221C40U TM221CE40U	520 mA	304 mA
TM221M16R• TM221ME16R•	520 mA	460 mA
TM221M16T• TM221ME16T•	520 mA	492 mA
TM221M32TK TM221ME32TK	520 mA	484 mA

NOTE: Expansion modules consume current from the 5 Vdc and 24 Vdc supplied to the I/O Bus. Therefore, the current delivered by the logic controller to the I/O Bus defines the maximum number of expansion modules that can be connected to the I/O Bus (validated by SoMachine Basic software in the **Configuration** window).

TMC2 Cartridges

Overview

You can expand the number of I/Os or communication options of your Modicon TM221C Logic Controller by adding TMC2 cartridges.

For more information, refer to the TMC2 Cartridges Hardware Guide.

TMC2 Standard Cartridges

The following table presents the general-purpose TMC2 cartridges with the corresponding channel type, voltage/current range, and terminal type:

Reference	Channels	Channel Type	Voltage Current	Terminal Type
TMC2AI2	2	Analog inputs (voltage or current)	0...10 Vdc 0...20 mA or 4...20 mA	3.81 mm (0.15 in.) pitch, non-removable screw terminal block
TMC2TI2	2	Analog temperature inputs	Thermocouple type K, J, R, S, B, E, T, N,C 3 wires RTD type Pt100, Pt1000, Ni100, Ni1000	3.81 mm (0.15 in.) pitch, non-removable screw terminal block
TMC2AQ2V	2	Analog voltage outputs	0...10 Vdc	3.81 mm (0.15 in.) pitch, non-removable screw terminal block
TMC2AQ2C	2	Analog current outputs	4...20 mA	3.81 mm (0.15 in.) pitch, non-removable screw terminal block
TMC2SL1 ⁽¹⁾	1	Serial line	RS232 or RS485	3.81 mm (0.15 in.) pitch, non-removable screw terminal block
(1) Only one serial line cartridge (TMC2SL1, TMC2CONV01) may be added to a logic controller.				

TMC2 Application Cartridges

The following table presents the applicative TMC2 cartridges with the corresponding channel type, voltage/current range, and terminal type:

Reference	Channels	Channel Type	Voltage Current	Terminal Type
TMC2HOIS01	2	Analog inputs (voltage or current)	0...10 Vdc 0...20 mA or 4...20 mA	3.81 mm (0.15 in.) pitch, non-removable screw terminal block
TMC2PACK01	2	Analog inputs (voltage or current)	0...10 Vdc 0...20 mA or 4...20 mA	3.81 mm (0.15 in.) pitch, non-removable screw terminal block
TMC2CONV01 ⁽¹⁾	1	Serial line	RS232 or RS485	3.81 mm (0.15 in.) pitch, non-removable screw terminal block
(1) Only one serial line cartridge (TMC2SL1, TMC2CONV01) may be added to a logic controller.				

TM3 Expansion Modules

Introduction

The range of TM3 expansion modules includes:

- Digital modules, classified as follows:
 - Input modules ([see page 36](#))
 - Output modules ([see page 37](#))
 - Mixed input/output modules ([see page 39](#))
- Analog modules, classified as follows:
 - Input modules ([see page 40](#))
 - Output modules ([see page 41](#))
 - Mixed input/output modules ([see page 42](#))
- Expert modules ([see page 43](#))
- Safety modules ([see page 43](#))
- Transmitter and Receiver modules ([see page 44](#))

For more information, refer to the following documents:

- TM3 Digital I/O Modules Hardware Guide
- TM3 Analog I/O Modules Hardware Guide
- TM3 Expert I/O Modules Hardware Guide
- TM3 Safety Modules Hardware Guide
- TM3 Transmitter and Receiver Modules Hardware Guide

TM3 Digital Input Modules

The following table shows the TM3 digital input expansion modules, with corresponding channel type, nominal voltage/current, and terminal type:

Reference	Channels	Channel Type	Voltage Current	Terminal Type / Pitch
TM3DI8A	8	Regular inputs	120 Vac 7.5 mA	Removable screw terminal block / 5.08 mm
TM3DI8	8	Regular inputs	24 Vdc 7 mA	Removable screw terminal block / 5.08 mm
TM3DI8G	8	Regular inputs	24 Vdc 7 mA	Removable spring terminal block / 5.08 mm
TM3DI16	16	Regular inputs	24 Vdc 7 mA	Removable screw terminal blocks / 3.81 mm

Reference	Channels	Channel Type	Voltage Current	Terminal Type / Pitch
TM3DI16G	16	Regular inputs	24 Vdc 7 mA	Removable spring terminal blocks / 3.81 mm
TM3DI16K	16	Regular inputs	24 Vdc 5 mA	HE10 (MIL 20) connector
TM3DI32K	32	Regular inputs	24 Vdc 5 mA	HE10 (MIL 20) connector

TM3 Digital Output Modules

The following table shows the TM3 digital output expansion modules, with corresponding channel type, nominal voltage/current, and terminal type:

Reference	Channels	Channel Type	Voltage Current	Terminal Type / Pitch
TM3DQ8R	8	Relay outputs	24 Vdc / 240 Vac 7 A maximum per common line / 2 A maximum per output	Removable screw terminal block / 5.08 mm
TM3DQ8RG	8	Relay outputs	24 Vdc / 240 Vac 7 A maximum per common line / 2 A maximum per output	Removable spring terminal block / 5.08 mm
TM3DQ8T	8	Regular transistor outputs (source)	24 Vdc 4 A maximum per common line/0.5 A maximum per output	Removable screw terminal block / 5.08 mm
TM3DQ8TG	8	Regular transistor outputs (source)	24 Vdc 4 A maximum per common line/0.5 A maximum per output	Removable spring terminal block / 5.08 mm
TM3DQ8U	8	Regular transistor outputs (sink)	24 Vdc 4 A maximum per common line/0.5 A maximum per output	Removable screw terminal block / 5.08 mm
TM3DQ8UG	8	Regular transistor outputs (sink)	24 Vdc 4 A maximum per common line/0.5 A maximum per output	Removable spring terminal block / 5.08 mm
TM3DQ16R	16	Relay outputs	24 Vdc / 240 Vac 8 A maximum per common line / 2 A maximum per output	Removable screw terminal blocks / 3.81 mm

Reference	Channels	Channel Type	Voltage Current	Terminal Type / Pitch
TM3DQ16RG	16	Relay outputs	24 Vdc / 240 Vac 8 A maximum per common line / 2 A maximum per output	Removable spring terminal blocks / 3.81 mm
TM3DQ16T	16	Regular transistor outputs (source)	24 Vdc 8 A maximum per common line / 0.5 A maximum per output	Removable screw terminal blocks / 3.81 mm
TM3DQ16TG	16	Regular transistor outputs (source)	24 Vdc 8 A maximum per common line / 0.5 A maximum per output	Removable spring terminal blocks / 3.81 mm
TM3DQ16U	16	Regular transistor outputs (sink)	24 Vdc 8 A maximum per common line / 0.5 A maximum per output	Removable screw terminal blocks / 3.81 mm
TM3DQ16UG	16	Regular transistor outputs (sink)	24 Vdc 8 A maximum per common line / 0.5 A maximum per output	Removable spring terminal blocks / 3.81 mm
TM3DQ16TK	16	Regular transistor outputs (source)	24 Vdc 2 A maximum per common line / 0.1 A maximum per output	HE10 (MIL 20) connector
TM3DQ16UK	16	Regular transistor outputs (sink)	24 Vdc 2 A maximum per common line / 0.1 A maximum per output	HE10 (MIL 20) connector
TM3DQ32TK	32	Regular transistor outputs (source)	24 Vdc 2 A maximum per common line / 0.1 A maximum per output	HE10 (MIL 20) connectors
TM3DQ32UK	32	Regular transistor outputs (sink)	24 Vdc 2 A maximum per common line / 0.1 A maximum per output	HE10 (MIL 20) connectors

TM3 Digital Mixed Input/Output Modules

The following table shows the TM3 mixed I/O modules, with corresponding channel type, nominal voltage/current, and terminal type:

Reference	Channels	Channel Type	Voltage Current	Terminal Type / Pitch
TM3DM8R	4	Regular inputs	24 Vdc 7 mA	Removable screw terminal block / 5.08 mm
	4	Relay outputs	24 Vdc / 240 Vac 7 A maximum per common line / 2 A maximum per output	
TM3DM8RG	4	Regular inputs	24 Vdc 7 mA	Removable spring terminal block / 5.08 mm
	4	Relay outputs	24 Vdc / 240 Vac 7 A maximum per common line / 2 A maximum per output	
TM3DM24R	16	Regular inputs	24 Vdc 7 mA	Removable screw terminal blocks / 3.81 mm
	8	Relay outputs	24 Vdc / 240 Vac 7 A maximum per common line / 2 A maximum per output	
TM3DM24RG	16	Regular inputs	24 Vdc 7 mA	Removable spring terminal blocks / 3.81 mm
	8	Relay outputs	24 Vdc / 240 Vac 7 A maximum per common line / 2 A maximum per output	

TM3 Analog Input Modules

The following table shows the TM3 analog input expansion modules, with corresponding resolution, channel type, nominal voltage/current, and terminal type:

Reference	Resolution	Channels	Channel Type	Mode	Terminal Type / Pitch
TM3AI2H	16 bit, or 15 bit + sign	2	inputs	0...10 Vdc -10...+10 Vdc 0...20 mA 4...20 mA	Removable screw terminal block / 5.08 mm
TM3AI2HG	16 bit, or 15 bit + sign	2	inputs	0...10 Vdc -10...+10 Vdc 0...20 mA 4...20 mA	Removable spring terminal block / 5.08 mm
TM3AI4	12 bit, or 11 bit + sign	4	inputs	0...10 Vdc -10...+10 Vdc 0...20 mA 4...20 mA	Removable screw terminal block / 3.81 mm
TM3AI4G	12 bit, or 11 bit + sign	4	inputs	0...10 Vdc -10...+10 Vdc 0...20 mA 4...20 mA	Removable spring terminal blocks / 3.81 mm
TM3AI8	12 bit, or 11 bit + sign	8	inputs	0...10 Vdc -10...+10 Vdc 0...20 mA 4...20 mA	Removable screw terminal block / 3.81 mm
TM3AI8G	12 bit, or 11 bit + sign	8	inputs	0...10 Vdc -10...+10 Vdc 0...20 mA 4...20 mA	Removable spring terminal blocks / 3.81 mm
TM3TI4	16 bit, or 15 bit + sign	4	inputs	0...10 Vdc -10...+10 Vdc 0...20 mA 4...20 mA Thermocouple PT100/1000 NI100/1000	Removable screw terminal block / 3.81 mm
TM3TI4G	16 bit, or 15 bit + sign	4	inputs	0...10 Vdc -10...+10 Vdc 0...20 mA 4...20 mA Thermocouple PT100/1000 NI100/1000	Removable spring terminal blocks / 3.81 mm

Reference	Resolution	Channels	Channel Type	Mode	Terminal Type / Pitch
TM3TI8T	16 bit, or 15 bit + sign	8	inputs	Thermocouple NTC/PTC	Removable screw terminal block / 3.81 mm
TM3TI8TG	16 bit, or 15 bit + sign	8	inputs	Thermocouple NTC/PTC	Removable spring terminal blocks / 3.81 mm

TM3 Analog Output Modules

The following table shows the TM3 analog output modules, with corresponding resolution, channel type, nominal voltage/current, and terminal type:

Reference	Resolution	Channels	Channel Type	Mode	Terminal Type / Pitch
TM3AQ2	12 bit, or 11 bit + sign	2	outputs	0...10 Vdc -10...+10 Vdc 0...20 mA 4...20 mA	Removable screw terminal block / 5.08 mm
TM3AQ2G	12 bit, or 11 bit + sign	2	outputs	0...10 Vdc -10...+10 Vdc 0...20 mA 4...20 mA	Removable spring terminal block / 5.08 mm
TM3AQ4	12 bit, or 11 bit + sign	4	outputs	0...10 Vdc -10...+10 Vdc 0...20 mA 4...20 mA	Removable screw terminal block / 5.08 mm
TM3AQ4G	12 bit, or 11 bit + sign	4	outputs	0...10 Vdc -10...+10 Vdc 0...20 mA 4...20 mA	Removable spring terminal block / 5.08 mm

TM3 Analog Mixed Input/Output Modules

This following table shows the TM3 analog mixed I/O modules, with corresponding resolution, channel type, nominal voltage/current, and terminal type:

Reference	Resolution	Channels	Channel Type	Mode	Terminal Type / Pitch
TM3AM6	12 bit, or 11 bit + sign	4	inputs	0...10 Vdc -10...+10 Vdc 0...20 mA 4...20 mA	Removable spring terminal block / 3.81 mm
		2	outputs		
TM3AM6G	12 bit, or 11 bit + sign	4	inputs	0...10 Vdc -10...+10 Vdc 0...20 mA 4...20 mA	Removable spring terminal block / 3.81 mm
		2	outputs		
TM3TM3	16 bit, or 15 bit + sign	2	inputs	0...10 Vdc -10...+10 Vdc 0...20 mA 4...20 mA Thermocouple PT100/1000 NI100/1000	Removable screw terminal block / 5.08 mm
	12 bit, or 11 bit + sign	1	output	0...10 Vdc -10...+10 Vdc 0...20 mA 4...20 mA	
TM3TM3G	16 bit, or 15 bit + sign	2	inputs	0...10 Vdc -10...+10 Vdc 0...20 mA 4...20 mA Thermocouple PT100/1000 NI100/1000	Removable spring terminal block / 5.08 mm
	12 bit, or 11 bit + sign	1	output	0...10 Vdc -10...+10 Vdc 0...20 mA 4...20 mA	

TM3 Expert Module

The following table shows the TM3 expert expansion module, with corresponding terminal type:

Reference	Description	Terminal Type / Pitch
TM3XTYS4	TeSys module	4 front connectors RJ-45 1 power supply connector / 5.08 mm

TM3 Safety Modules

This table contains the TM3 safety modules (see *Modicon TM3, Safety Modules, Hardware Guide*), with the corresponding channel type, nominal voltage/current, and terminal type:

Reference	Function Category	Channels	Channel type	Voltage Current	Terminal type
TM3SAC5R	1 function, up to category 3	1 or 2 ⁽¹⁾	Safety input	24 Vdc 100 mA maximum	3.81 mm (0.15 in.) and 5.08 mm (0.20 in.), removable screw terminal block
		Start ⁽²⁾	Input		
		3 in parallel	Relay outputs Normally open	24 Vdc / 230 Vac 6 A maximum per output	
TM3SAC5RG	1 function, up to category 3	1 or 2 ⁽¹⁾	Safety input	24 Vdc 100 mA maximum	3.81 mm (0.15 in.) and 5.08 mm (0.20 in.), removable spring terminal block
		Start ⁽²⁾	Input		
		3 in parallel	Relay outputs Normally open	24 Vdc / 230 Vac 6 A maximum per output	
TM3SAF5R	1 function, up to category 4	2 ⁽¹⁾	Safety inputs	24 Vdc 100 mA maximum	3.81 mm (0.15 in.) and 5.08 mm (0.20 in.), removable screw terminal block
		Start	Input		
		3 in parallel	Relay outputs Normally open	24 Vdc / 230 Vac 6 A maximum per output	
TM3SAF5RG	1 function, up to category 4	2 ⁽¹⁾	Safety inputs	24 Vdc 100 mA maximum	3.81 mm (0.15 in.) and 5.08 mm (0.20 in.), removable spring terminal block
		Start	Input		
		3 in parallel	Relay outputs Normally open	24 Vdc / 230 Vac 6 A maximum per output	
TM3SAFL5R	2 functions, up to category 3	2 ⁽¹⁾	Safety inputs	24 Vdc 100 mA maximum	3.81 mm (0.15 in.) and 5.08 mm (0.20 in.), removable screw terminal block
		Start	Input		
		3 in parallel	Relay outputs Normally open	24 Vdc / 230 Vac 6 A maximum per output	
⁽¹⁾ Depending on external wiring ⁽²⁾ Non-monitored start					

Reference	Function Category	Channels	Channel type	Voltage Current	Terminal type
TM3SAFL5RG	2 functions, up to category 3	2 ⁽¹⁾	Safety inputs	24 Vdc 100 mA maximum	3.81 mm (0.15 in.) and 5.08 mm (0.20 in.), removable spring terminal block
		Start	Input		
		3 in parallel	Relay outputs Normally open	24 Vdc / 230 Vac 6 A maximum per output	
TM3SAK6R	3 functions, up to category 4	1 or 2 ⁽¹⁾	Safety inputs	24 Vdc 100 mA maximum	3.81 mm (0.15 in.) and 5.08 mm (0.20 in.), removable screw terminal block
		Start	Input		
		3 in parallel	Relay outputs Normally open	24 Vdc / 230 Vac 6 A maximum per output	
TM3SAK6RG	3 functions, up to category 4	1 or 2 ⁽¹⁾	Safety inputs	24 Vdc 100 mA maximum	3.81 mm (0.15 in.) and 5.08 mm (0.20 in.), removable spring terminal block
		Start	Input		
		3 in parallel	Relay outputs Normally open	24 Vdc / 230 Vac 6 A maximum per output	
⁽¹⁾ Depending on external wiring ⁽²⁾ Non-monitored start					

TM3 Transmitter and Receiver Modules

The following table shows the TM3 transmitter and receiver expansion modules:

Reference	Description	Terminal Type / Pitch
TM3XTRA1	Data transmitter module for remote I/O	1 front connector RJ-45 1 screw for functional ground connection
TM3XREC1	Data receiver module for remote I/O	1 front connector RJ-45 Power supply connector / 5.08 mm

TM2 Expansion Modules

Overview

You can expand the number of I/Os of your M221 Logic Controller by adding TM2 I/O expansion modules.

The following types of electronic modules are supported:

- TM2 digital I/O expansion modules
- TM2 analog I/O expansion modules

For more information, refer to the following documents:

- TM2 Digital I/O Expansion Modules Hardware Guide
- TM2 Analog I/O Expansion Modules Hardware Guide

NOTE: TM2 modules can only be used in the local configuration, and only if there is no TM3 transmitter and receiver modules present in the configuration.

NOTE: It is prohibited to mount a TM2 module before any TM3 module. The TM2 modules must be mounted and configured at the end of the local configuration.

TM2 Digital Input Expansion Modules

The following table shows the compatible TM2 digital input expansion modules with the corresponding channel type, nominal voltage/current, and terminal type:

Reference	Channels	Channel Type	Voltage Current	Terminal Type
TM2DAI8DT	8	Regular inputs	120 Vac 7.5 mA	Removable screw terminal block
TM2DDI8DT	8	Regular inputs	24 Vdc 7 mA	Removable screw terminal block
TM2DDI16DT	16	Regular inputs	24 Vdc 7 mA	Removable screw terminal block
TM2DDI16DK	16	Regular inputs	24 Vdc 5 mA	HE10 (MIL 20) connector
TM2DDI32DK	32	Regular inputs	24 Vdc 5 mA	HE10 (MIL 20) connector

TM2 Digital Output Expansion Modules

The following table shows the compatible TM2 digital output expansion modules with the corresponding channel type, nominal voltage/current, and terminal type:

Reference	Channels	Channel type	Voltage Current	Terminal type
TM2DRA8RT	8	Relay outputs	30 Vdc / 240 Vac 2 A max	Removable screw terminal block
TM2DRA16RT	16	Relay outputs	30 Vdc / 240 Vac 2 A max	Removable screw terminal block
TM2DDO8UT	8	Regular transistor outputs (sink)	24 Vdc 0.3 A max per output	Removable screw terminal block
TM2DDO8TT	8	Regular transistor outputs (source)	24 Vdc 0.5 A max per output	Removable screw terminal block
TM2DDO16UK	16	Regular transistor outputs (sink)	24 Vdc 0.1 A max per output	HE10 (MIL 20) connector
TM2DDO16TK	16	Regular transistor outputs (source)	24 Vdc 0.4 A max per output	HE10 (MIL 20) connector
TM2DDO32UK	32	Regular transistor outputs (sink)	24 Vdc 0.1 A max per output	HE10 (MIL 20) connector
TM2DDO32TK	32	Regular transistor outputs (source)	24 Vdc 0.4 A max per output	HE10 (MIL 20) connector

TM2 Digital Mixed Input/Output Expansion Modules

The following table shows the compatible TM2 digital mixed I/O expansion modules with the corresponding channel type, nominal voltage/current, and terminal type:

Reference	Channels	Channel type	Voltage Current	Terminal type
TM2DMM8DRT	4	Regular inputs	24 Vdc 7 mA	Removable screw terminal block
	4	Relay outputs	24 Vdc / 240 Vac 7 A maximum per common line / 2 A maximum per output	
TM2DMM24DRF	16	Regular inputs	24 Vdc 7 mA	Non-removable spring terminal block
	8	Relay outputs	24 Vdc / 240 Vac 7 A maximum per common line / 2 A maximum per output	

TM2 Analog Input Expansion Modules

The following table shows the compatible TM2 analog input expansion modules with the corresponding channel type, nominal voltage/current, and terminal type:

Reference	Channels	Channel type	Voltage Current	Terminal Type
TM2AMI2HT	2	High-level inputs	0...10 Vdc 4...20 mA	Removable screw terminal block
TM2AMI2LT	2	Low-level inputs	Thermocouple type J,K,T	Removable screw terminal block
TM2AMI4LT	4	Analog inputs	0...10 Vdc 0...20 mA PT100/1000 Ni100/1000	Removable screw terminal block
TM2AMI8HT	8	Analog inputs	0...20 mA 0...10 Vdc	Removable screw terminal block
TM2ARI8HT	8	Analog inputs	NTC / PTC	Removable screw terminal block
TM2ARI8LRJ	8	Analog inputs	PT100/1000	RJ11 connector
TM2ARI8LT	8	Analog inputs	PT100/1000	Removable screw terminal block

TM2 Analog Output Expansion Modules

The following table shows the compatible TM2 analog output expansion modules with the corresponding channel type, nominal voltage/current, and terminal type:

Reference	Channels	Channel type	Voltage Current	Terminal Type
TM2AMO1HT	1	Analog outputs	0...10 Vdc 4...20 mA	Removable screw terminal block
TM2AVO2HT	2	Analog outputs	+/- 10 Vdc	Removable screw terminal block

TM2 Analog Mixed Input/Output Expansion Modules

The following table shows the compatible TM2 analog mixed I/O expansion modules with the corresponding channel type, nominal voltage/current, and terminal type:

Reference	Channels	Channel type	Voltage Current	Terminal Type
TM2AMM3HT	2	Analog inputs	0...10 Vdc 4...20 mA	Removable screw terminal block
	1	Analog outputs	0...10 Vdc 4...20 mA	
TM2AMM6HT	4	Analog inputs	0...10 Vdc 4...20 mA	Removable screw terminal block
	2	Analog outputs	0...10 Vdc 4...20 mA	
TM2ALM3LT	2	Low-level inputs	Thermo J,K,T, PT100	Removable screw terminal block
	1	Analog outputs	0...10 Vdc 4...20 mA	

Accessories

Overview

This section describes the accessories, cables, and Telefast.

Accessories

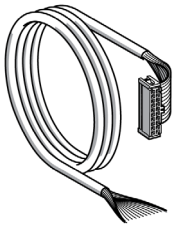
Reference	Description	Use	Quantity
TMASD1	SD Card (<i>see page 72</i>)	Use to update the controller firmware, initialize a controller with a new application or clone a controller.	1
TMAT2MSET	Set of 8 removable screw terminal blocks: <ul style="list-style-type: none"> ● 4 x Removable screw terminal blocks (pitch 3.81 mm) with 11 terminals for inputs/outputs ● 4 x Removable screw terminal blocks (pitch 3.81 mm) with 10 terminals for inputs/outputs 	Connects M221 Logic Controller embedded I/Os.	1
TMAT2MSETG	Set of 8 removable spring terminal blocks: <ul style="list-style-type: none"> ● 4 x Removable spring terminal blocks (pitch 3.81 mm) with 11 terminals for inputs/outputs ● 4 x Removable spring terminal blocks (pitch 3.81 mm) with 10 terminals for inputs/outputs 	Connects M221 Logic Controller embedded I/Os.	1
TMAT2PSET	Set of 5 removable screw terminal block	Connects 24 Vdc power supply.	1
AB1AB8P35	End brackets	Help secure the logic controller or receiver module and their expansion modules on a top hat section rail (DIN rail).	1
TM2XMTGB	Grounding Bar	Connects the cable shield and the module to the functional ground.	1
TM200RSRC EMC	Shielding take-up clip	Mounts and connects the ground to the cable shielding.	25 pack
TMAM2	Mounting Kit	Mounts the controller and I/O modules directly to a flat, vertical panel.	1

Cables

Reference	Description	Details	Length
BMXXCAUSBH018	Terminal port/USB port cordset	From the USB mini-B port on the TM221C Logic Controller to USB port on the PC terminal. NOTE: Grounded and shielded, this USB cable is suitable for long duration connections.	1.8 m (5.9 ft)
BMXXCAUSBH045	Terminal port/USB port cordset	From the USB mini-B port on the TM221M Logic Controller to USB port on the PC terminal. NOTE: Grounded and shielded, this USB cable is suitable for long duration connections.	4.5 m (14.8 ft)
TMACBL1	Analog cables	Cable equipped with a connector	1 m (3.28 ft)
TCSMCN3M4F3C2	RS-232 serial link cordset 1 RJ45 connector and 1 SUB-D 9 connector	For DTE terminal (printer)	3 m (9.84 ft)
TCSMCN3M4M3S2	RS-232 serial link cordset 1 RJ45 connector and 1 SUB-D 9 connector	For DCE terminal (modem, converter)	3 m (9.84 ft)
TWDFCW30K	Digital I/O cables with free wires for 20-pin Modular controller	Cable equipped at a one end with an HE10 connector. (AWG 22 / 0.34 mm ²)	3 m (9.84 ft)
TWDFCW50K		Cable equipped at a one end with an HE10 connector. (AWG 22 / 0.34 mm ²)	5 m (16.4 ft)

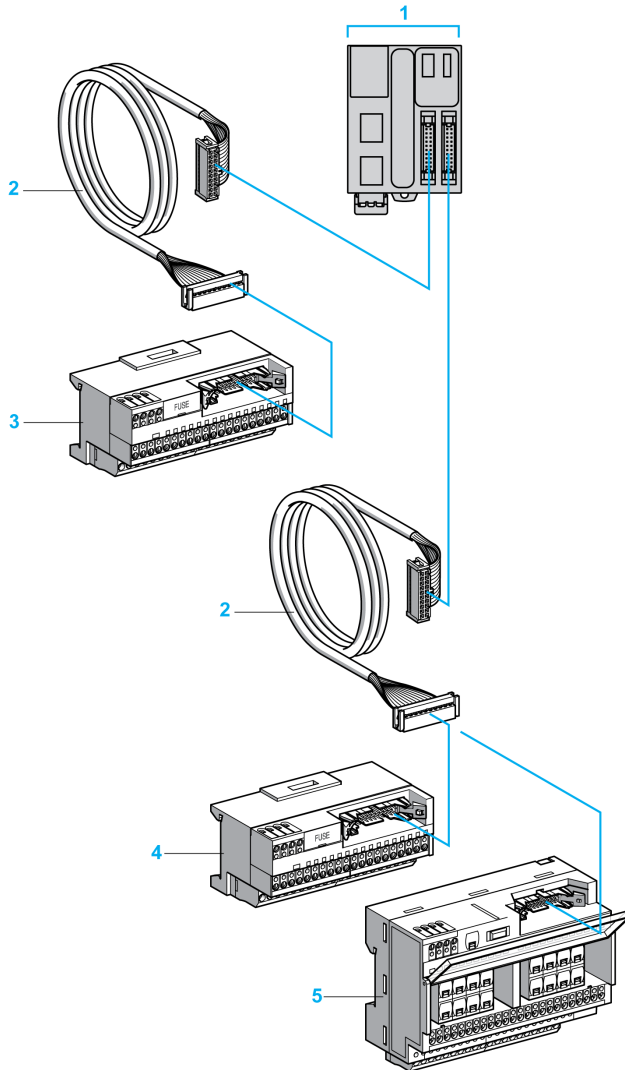
TWDFCW••K Cable Description

The following table provides specifications for the TWDFCW30K/50K with free wires for 20-pin connectors (HE10 or MIL20):

Cable illustration	Pin Connector	Wire Color
	1	White
	2	Brown
	3	Green
	4	Yellow
	5	Grey
	6	Pink
	7	Blue
	8	Red
	9	Black
	10	Violet
	11	Grey and pink
	12	Red and blue
	13	White and green
	14	Brown and green
	15	White and yellow
	16	Yellow and brown
	17	White and grey
	18	Grey and brown
	19	White and pink
	20	Pink and brown

Telefast Pre-Wiring Sub-bases

The following illustration shows the Telefast system:



- 1 TM221M32TK / TM221ME32TK
- 2 Cable equipped with a 20-way HE 10 connector at each end.)
- 3 16 channel sub-base for input extension modules.
- 4 16 channel sub-base for output extension modules.
- 5 16 channel sub-base for output extension modules.

Refer to [TM221M Logic Controller Instruction Sheet](#).

Chapter 2

M221 Features

Overview

This chapter describes the Modicon M221 Logic Controller features.

What Is in This Chapter?

This chapter contains the following topics:

Topic	Page
Real Time Clock (RTC)	54
Input Management	61
Output Management	65
Run/Stop	69
SD Card	72

Real Time Clock (RTC)

Overview

The M221 Logic Controller includes an RTC to provide system date and time information, and to support related functions requiring a real-time clock. To continue keeping time when power is off, a non-rechargeable battery is required (see reference below). A battery LED on the front panel of the controller indicates if the battery is depleted or absent.

This table shows how RTC drift is managed:

RTC Characteristics	Description
RTC drift	Less than 30 seconds per month without any user calibration at 25 °C (77 °F)

Battery

The controller has one backup battery.

In the event of a power interruption, the backup battery maintains user data and the RTC for the controller.

This table shows the characteristics of the battery:

Characteristics	Description
Use	In the event of a transient power outage, the battery powers the RTC and user data.
Backup life	At least 1 year at 25 °C max (77 °F). At higher temperatures, the time is reduced.
Battery monitoring	Yes
Replaceable	Yes
Battery life	4 years at 25 °C max (77 °F). At higher temperatures, the time is reduced.
Controller battery type	Lithium carbon monofluoride, type Panasonic BR2032

Installing and Replacing the Battery

While lithium batteries are preferred due to their slow discharge and long life, they can present hazards to personnel, equipment and the environment and must be handled properly.

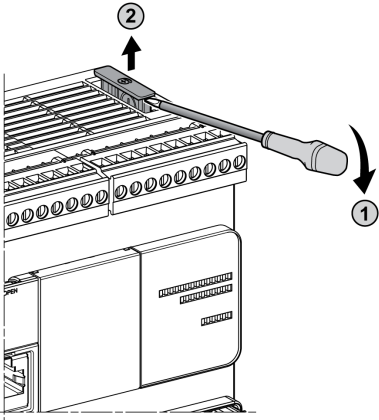
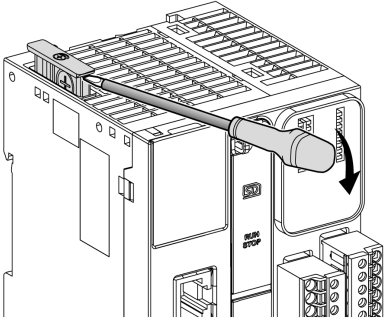
DANGER

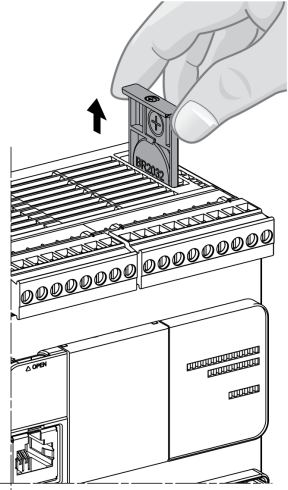
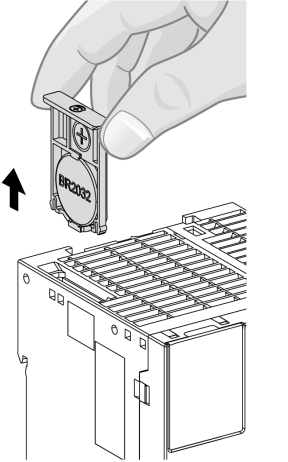
EXPLOSION, FIRE, OR CHEMICAL BURNS

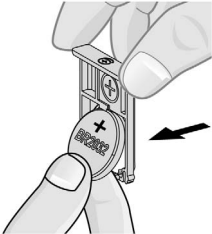
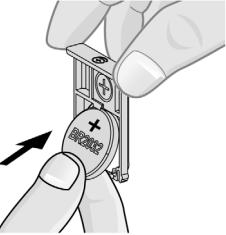
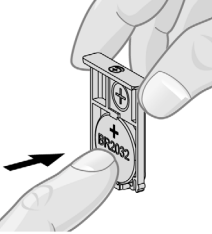
- Replace with identical battery type.
- Follow all the instructions of the battery manufacturer.
- Remove all replaceable batteries before discarding unit.
- Recycle or properly dispose of used batteries.
- Protect battery from any potential short-circuit.
- Do not recharge, disassemble, heat above 100 °C (212 °F), or incinerate.
- Use your hands or insulated tools to remove or replace the battery.
- Maintain proper polarity when inserting and connecting a new battery.

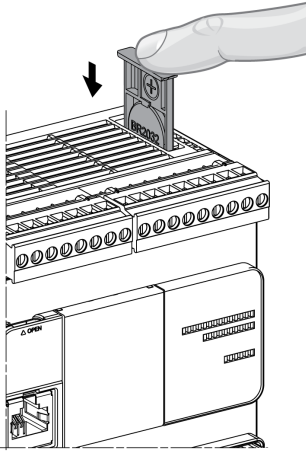
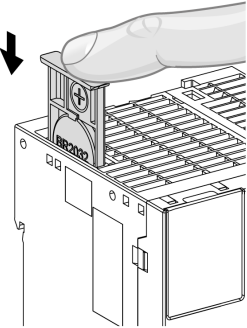
Failure to follow these instructions will result in death or serious injury.

To install or replace the battery, follow these steps:

Step	Action
1	Remove power from your controller.
2	<p data-bbox="294 284 1186 308">Use an insulated screw-driver to pull out the battery holder from the TM221C Logic Controller.</p>  <p data-bbox="294 787 1186 812">Use an insulated screw-driver to pull out the battery holder from the TM221M Logic Controller.</p> 

Step	Action
3	<p data-bbox="326 201 893 224">Slide out the battery holder of the TM221C Logic Controller.</p>  <p data-bbox="326 781 893 803">Slide out the battery holder of the TM221M Logic Controller.</p> 

Step	Action
4	<p data-bbox="296 199 710 224">Remove the battery from the battery holder.</p> 
5	<p data-bbox="296 524 1167 573">Insert the new battery into the battery holder in accordance with the polarity markings on the battery.</p> 
6	<p data-bbox="296 870 1094 894">Replace the battery holder on the controller and verify that the latch clicks into place.</p> 

Step	Action
7	<p data-bbox="326 201 879 224">Slide in the battery holder of the TM221C Logic Controller.</p>  <p data-bbox="326 743 879 766">Slide in the battery holder of the TM221M Logic Controller.</p> 
8	Power up your M221 Logic Controller.
9	Set the internal clock. For further details on the internal clock, refer to SoMachine Basic Operating Guide (see <i>SoMachine Basic, Generic Functions Library Guide</i>).

NOTE: Replacement of the battery in the controllers other than with the type specified in this documentation may present a risk of fire or explosion.

 **WARNING**

IMPROPER BATTERY CAN PROVOKE FIRE OR EXPLOSION

Replace battery only with identical type: Panasonic Type BR2032.

Failure to follow these instructions can result in death, serious injury, or equipment damage.

Input Management

Overview

The M221 Logic Controller features digital inputs, including 4 fast inputs.

The following functions are configurable:

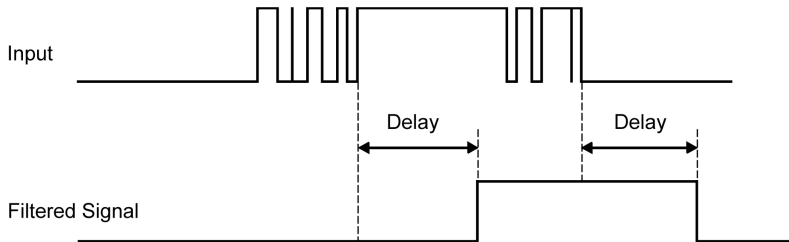
- Filters (depends on the function associated with the input).
- **I0...I15** inputs can be used for the Run/Stop function.
- Four fast inputs can be either latched or used for events (rising edge, falling edge, or both) and thus be linked to an external task.

NOTE: All inputs can be used as regular inputs.

Integrator Filter Principle

The filter is designed to reduce the bouncing effect at the inputs. Setting a filter value helps the controller to ignore sudden changes of input levels caused by induction of electromagnetic interference.

The following timing diagram illustrates the filter effects:



Bounce Filter Availability

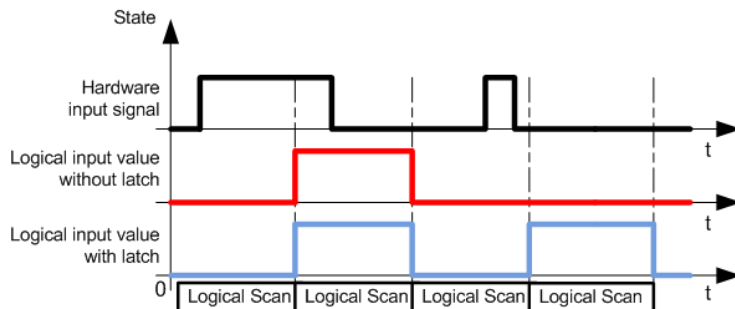
The bounce filter can be used on a fast input when:

- Using a latch or event
- HSC is enabled

Latching

Latching is a function that can be assigned to the M221 Logic Controller fast inputs. This function is used to memorize (or latch) any pulse with a duration that is less than the M221 Logic Controller scan time. When a pulse is shorter than one scan, the controller latches the pulse, which is then updated in the next scan. This latching mechanism only recognizes rising edges. Falling edges cannot be latched. Assigning inputs to be latched is done in the **Configuration** tab in SoMachine Basic.

The following timing diagram illustrates the latching effects:



Event

An input configured for Event can be associated with an External Task.

Run/Stop

The Run/Stop function is used to start or stop an application program using an input. In addition to the embedded Run/Stop switch, you can configure one (and only one) input as an additional Run/Stop command.

For more information, refer to the Run/Stop ([see page 69](#)).

⚠ WARNING

UNINTENDED MACHINE OR PROCESS START-UP

- Verify the state of security of your machine or process environment before applying power to the Run/Stop input.
- Use the Run/Stop input to help prevent the unintentional start-up from a remote location.

Failure to follow these instructions can result in death, serious injury, or equipment damage.

Input Management Functions Availability

Embedded digital inputs can be assigned to functions (Run/Stop, events, HSC, PWM, PLS, PTO). Inputs not assigned to functions are used as regular inputs. The following table presents the possible assignments of the embedded M221 Logic Controller digital inputs:

Function		Simple Input Function			Advanced Input Function		
		Run/Stop	Latch	Event	Fast Counter	HSC	PTO ⁽³⁾
Fast Input	%I0.0	X	–	–	–	%HSC0	–
	%I0.1	X	–	–	–	%HSC0 or %HSC2 ⁽¹⁾	–
Regular Input	%I0.2	X	X	X	%FC0	Preset for %HSC0	Ref or probe for %PTO0 to %PTO3
	%I0.3	X	X	X	%FC1	Catch for %HSC0	
	%I0.4	X	X	X	%FC2	Catch for %HSC1	
	%I0.5	X	X	X	%FC3	Preset for %HSC1	
Fast Input	%I0.6	X	–	–	–	%HSC1	–
	%I0.7	X	–	–	–	%HSC1 or %HSC3 ⁽²⁾	–
X Yes – No (1) %HSC2 is available when %HSC0 is configured as Single Phase or Not Configured. (2) %HSC3 is available when %HSC1 is configured as Single Phase or Not Configured. (3) PTO function is available on controller references that contain transistor outputs.							

Function		Simple Input Function			Advanced Input Function		
		Run/Stop	Latch	Event	Fast Counter	HSC	PTO ⁽³⁾
Regular Input (depending on the controller reference)	%I0.8	X	–	–	–	–	Ref or probe for %PTO0 to %PTO3 on TM221C40U and TM221CE40U controllers
	%I0.9	X	–	–	–	–	
	%I0.10	X	–	–	–	–	–
	%I0.11	X	–	–	–	–	–
	%I0.12	X	–	–	–	–	–
	%I0.13	X	–	–	–	–	–
	%I0.14	X	–	–	–	–	–
	%I0.15	X	–	–	–	–	–
	%I0.16	X	–	–	–	–	–
	%I0.17	X	–	–	–	–	–
	%I0.18	X	–	–	–	–	–
	%I0.19	X	–	–	–	–	–
	%I0.20	X	–	–	–	–	–
	%I0.21	X	–	–	–	–	–
%I0.22	X	–	–	–	–	–	
%I0.23	X	–	–	–	–	–	

X Yes
– No
(1) %HSC2 is available when %HSC0 is configured as Single Phase or Not Configured.
(2) %HSC3 is available when %HSC1 is configured as Single Phase or Not Configured.
(3) PTO function is available on controller references that contain transistor outputs.

Output Management

Introduction

The M221 Logic Controller features both regular and fast transistor outputs (PLS / PWM / PTO).

The following output functions are configurable on the transistor outputs:

- Alarm output
- HSC (reflex features on HSC threshold)
- PLS
- PTO
- PWM

NOTE: All outputs can be used as regular outputs.

Output Management Availability

The information below refers to regular and fast transistor outputs on the M221 Logic Controller:

Function		Alarm Output	HSC	PLS / PWM / PTO
Fast Output ⁽¹⁾	%Q0.0	X	–	<ul style="list-style-type: none"> • %PLS0 • %PWM0 • %PTO0
	%Q0.1	X	–	<ul style="list-style-type: none"> • %PLS1 • %PWM1 • %PTO⁽²⁾
Regular Output ⁽³⁾ (depending on the controller reference)	%Q0.2	X	Reflex output 0 for %HSC0 or %HSC2	%PTO ⁽⁴⁾
	%Q0.3	X	Reflex output 1 for %HSC0 or %HSC2	%PTO ⁽⁵⁾
	%Q0.4	X	Reflex output 0 for %HSC1 or %HSC3	%PTO _x direction
	%Q0.5	X	Reflex output 1 for %HSC1 or %HSC3	%PTO _x direction
	%Q0.6	X	–	%PTO _x direction
	%Q0.7	X	–	%PTO _x direction
	%Q0.8	–	–	%PTO _x direction
	%Q0.9	–	–	%PTO _x direction
	%Q0.10	–	–	%PTO _x direction
	%Q0.11	–	–	%PTO _x direction
	%Q0.12	–	–	%PTO _x direction
	%Q0.13	–	–	%PTO _x direction
	%Q0.14	–	–	%PTO _x direction
	%Q0.15	–	–	%PTO _x direction

(1) Fast output functions are only available on controller references that contain transistor outputs.

(2) %PTO0 direction in CW/CCW output mode, or %PTO1 (not available when %PTO0 is configured in CW/CCW output mode), or %PTO_x direction in other cases.

(3) %Q0.2 and %Q0.3 are fast outputs on TM221C40U and TM221CE40U controllers

(4) %PTO2 on TM221C40U and TM221CE40U controllers, or %PTO_x direction in other cases.

(5) %PTO2 direction in CW/CCW output mode on TM221C40U and TM221CE40U controllers, or %PTO3 (not available when %PTO2 is configured in CW/CCW output mode) on TM221C40U and TM221CE40U controllers, or %PTO_x direction in other cases.

Fallback Modes (Behavior for Outputs in Stop)

When the controller enters the STOPPED or one of the exception states for any reason, the local (embedded and expansion) outputs are set to **Default Value** defined in the application.

In case of PTO outputs, the fallback values are forced to 0 logic (0 Vdc) and these values cannot be modified.

Short-circuit or Over-current on Source Transistor Outputs

Outputs are clustered in packs of 4 outputs maximum (less when the total number of outputs of the controller is not a multiple of 4):

- **Q0...Q3**
- **Q4...Q7**
- **Q8...Q11**
- **Q12...Q15**

When a short-circuit or overload is detected and the system bit %S49 is set to 1, the cluster of 4 outputs is set to 0. An automatic rearming is done periodically (about 1 s). Only the short-circuit between an output set to 1 and 0 V is detected. The short-circuit between an output set to 0 and 24 V is not detected.

NOTE: By default, %S49 is set to 0.

The following table describes the actions taken on short-circuits or overload of transistor outputs:

If...	then...
you have short-circuit at 0 V on transistor outputs	Transistor outputs automatically go into thermal protection mode. For more information, refer to transistor output wiring diagrams.

In the case of a short-circuit or current overload, the common group of outputs automatically enters into thermal protection mode (all outputs in the group are set to 0), and are then periodically rearmed (each second) to test the connection state. However, you must be aware of the effect of this rearming on the machine or process being controlled.

WARNING

UNINTENDED MACHINE START-UP

Inhibit the automatic rearming of outputs if this feature is an undesirable behavior for your machine or process.

Failure to follow these instructions can result in death, serious injury, or equipment damage.

NOTE: The automatic rearming feature can be disabled with the system bit %S49. Refer to the Programming Guide of your controller for more information.

Short-circuit or Over-Current on Sink Transistor Outputs

Sink transistor outputs are not internally protected against overloads or short-circuits.

The following table describes the actions taken on overloads or short-circuits on sink transistor outputs:

if...	then ...
you have short-circuit or overload at 0 V, or 24 V on sink transistor outputs	no action is taken and no error is detectable.

For more information, refer to Sink Transistor Outputs Wiring Diagrams (*see page 247*).

Short-circuit or Over-Current on Relay Outputs

Relay outputs are not internally protected against overloads or short-circuits.

The following table describes the actions taken on overloads or short-circuits on relay outputs:

if...	then...
you have short-circuit or overload at 0 V or 24 V on relay outputs	No action is taken and no error is detectable. For more information, refer to relay output wiring diagrams.

Relay outputs are electromechanical switches capable of carrying significant levels of current and voltage. All electromechanical devices have a limited operational life and must be installed so as to minimize the potential for unintended consequences.

WARNING

INOPERABLE OUTPUTS

Use appropriate, external safety interlocks on outputs where personnel and/or equipment hazards exist.

Failure to follow these instructions can result in death, serious injury, or equipment damage.

Run/Stop

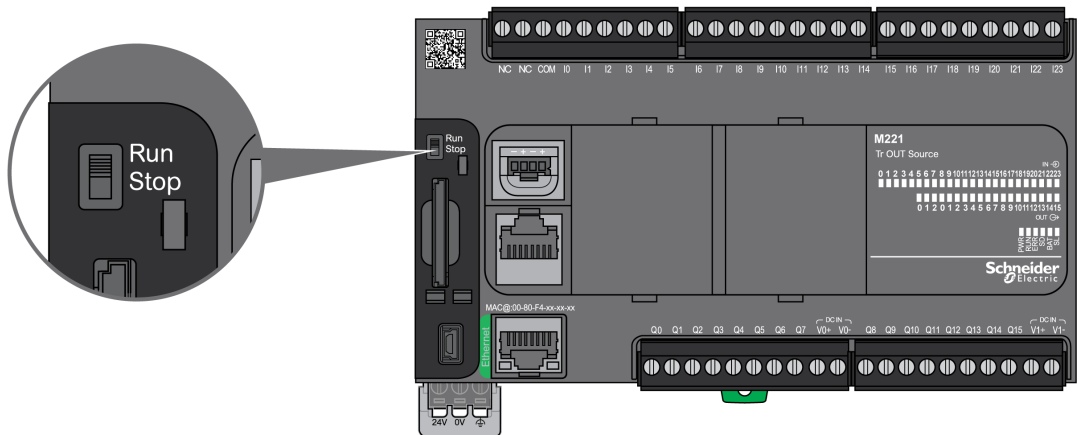
Run/Stop

The M221 Logic Controller can be operated externally by the following:

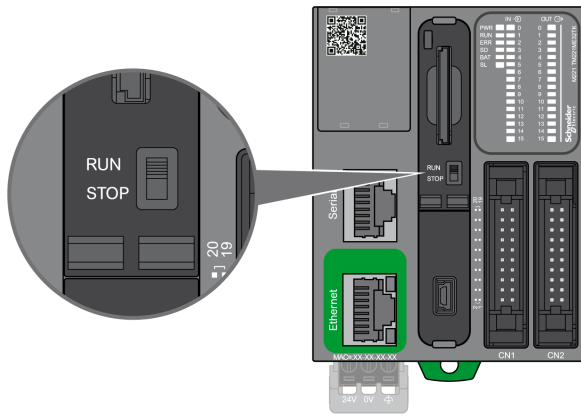
- a hardware Run/Stop switch
- a Run/Stop (*see page 62*) operation by a dedicated digital input, defined in the software configuration. For more information, refer to *Configuring Digital Inputs (see Modicon M221, Logic Controller, Programming Guide)*.
- a SoMachine Basic software command.
- a Remote Graphic Display (*see Modicon TMH2GDB, Remote Graphic Display, User Guide*).

The M221 Logic Controller has a Run/Stop hardware switch, which puts the controller in a RUN or STOP state.

The following figure shows the location of the Run/Stop switch on the TM221C Logic Controller:



The following figure shows the location of the Run/Stop switch on the TM221M Logic Controller:



The interaction of the different operators on the controller state behavior is summarized in the table below:

		Embedded Run/Stop hardware switch		
		Switch on Stop	Stop to Run transition	Switch on Run
Software configurable Run/Stop digital input	None	STOP Ignores external Run/Stop commands ² .	Commands a transition to RUN state ¹ .	Allows external Run/Stop commands ² .
	State 0	STOP Ignores external Run/Stop commands ² .	STOP Ignores external Run/Stop commands ² .	STOP Ignores external Run/Stop commands ² .
	Rising edge	STOP Ignores external Run/Stop commands ² .	Commands a transition to RUN state ¹ .	Commands a transition to RUN state ¹ .
	State 1	STOP Ignores external Run/Stop commands ² .	Commands a transition to RUN state ¹ .	Allows external Run/Stop commands ² .

¹ For more information, refer to the Controller States and Behaviors (see *Modicon M221, Logic Controller, Programming Guide*).

² External Run/Stop commands sent by the SoMachine Basic online button or a Remote Graphic Display.

 **WARNING****UNINTENDED MACHINE OR PROCESS START-UP**

- Verify the state of security of your machine or process environment before applying power to the Run/Stop input or engaging the Run/Stop switch.
- Use the Run/Stop input to help prevent the unintentional start-up from a remote location, or from accidentally engaging the Run/Stop switch.

Failure to follow these instructions can result in death, serious injury, or equipment damage.

SD Card

Overview

When handling the SD card, follow the instructions below to help prevent internal data on the SD card from being corrupted or lost or a SD card malfunction from occurring:

NOTICE

LOSS OF APPLICATION DATA

- Do not store the SD card where there is static electricity or probable electromagnetic fields.
- Do not store the SD card in direct sunlight, near a heater, or other locations where high temperatures can occur.
- Do not bend the SD card.
- Do not drop or strike the SD card against another object.
- Keep the SD card dry.
- Do not touch the SD card connectors.
- Do not disassemble or modify the SD card.
- Use only SD cards formatted using FAT or FAT32.

Failure to follow these instructions can result in equipment damage.

The M221 Logic Controller does not recognize NTFS formatted SD cards. Format the SD card on your computer using FAT or FAT32.

When using the M221 Logic Controller and a SD card, observe the following to avoid losing valuable data:

- Accidental data loss can occur at any time. Once data is lost it cannot be recovered.
- If you forcibly extract the SD card, data on the SD card may become corrupted.
- Removing an SD card that is being accessed could damage the SD card, or corrupt its data.
- If the SD card is not positioned correctly when inserted into the controller, the data on the card and the controller could become damaged.

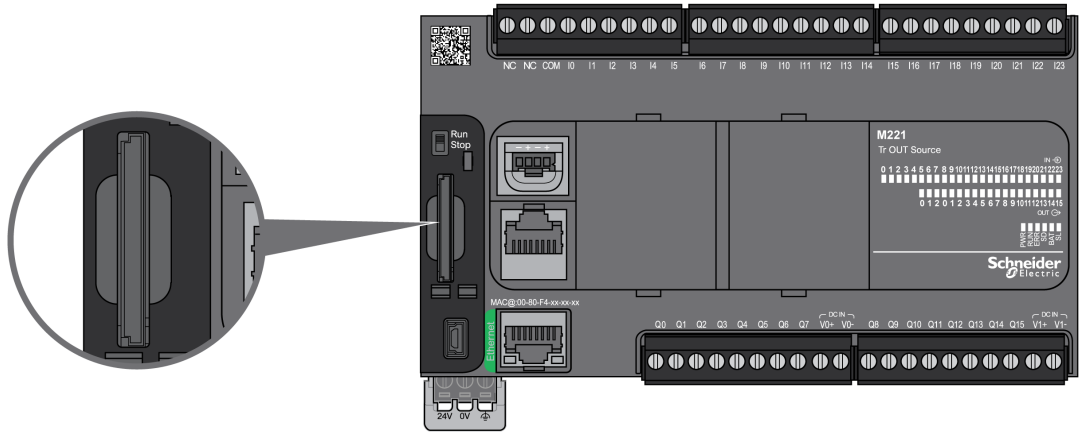
NOTICE

LOSS OF APPLICATION DATA

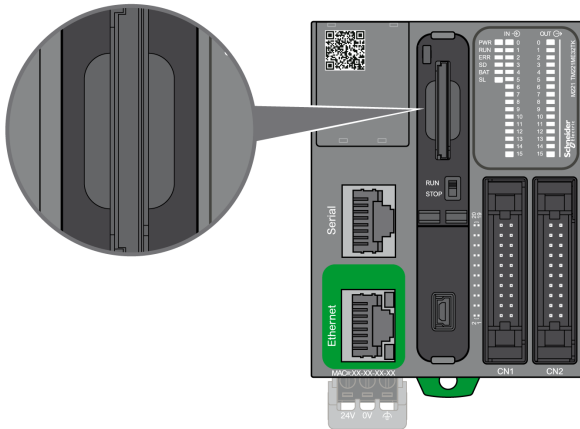
- Backup SD card data regularly.
- Do not remove power or reset the controller, and do not insert or remove the SD card while it is being accessed.
- Become familiar with the proper orientation of the SD card when inserting it into the controller.

Failure to follow these instructions can result in equipment damage.

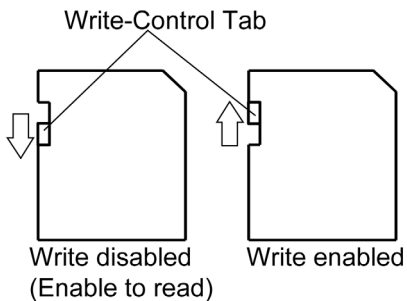
The following figure shows the SD card slot of the TM221C Logic Controller:

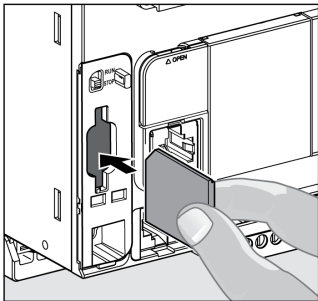
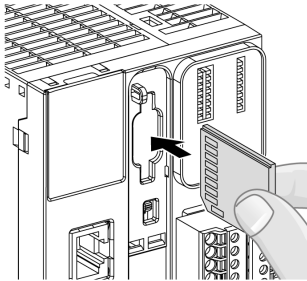


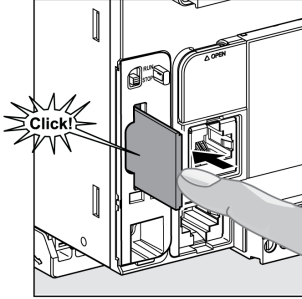
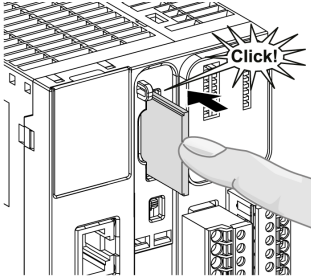
The following figure shows the SD card slot of the TM221M Logic Controller:



It is possible to set the Write-Control Tab to prevent write operations to the SD card. Push the tab up, as shown in the example on the right-hand side, to release the lock and enable writing to the SD card. Before using an SD card, read the manufacturer's instructions.



Step	Action
1	<p>Insert the SD card into the SD card slot of the TM221C Logic Controller:</p>  <p>Insert the SD card into the SD card slot of the TM221M Logic Controller:</p> 

Step	Action
2	<p>Push until you hear it “click” (TM221C Logic Controller):</p>  <p>Push until you hear it “click” (TM221M Logic Controller):</p> 

SD Card Slot Characteristics

Topic	Characteristics	Description
Supported type	Standard Capacity	SD (SDSC)
	High Capacity	SDHC
Global memory	Size	32 GB max.
Memory organization	Application backup size	64 MB
	Data storage size	1.93 GB
Robustness	Write/erase cycles (typical)	100,000
	Temperature operating range	-40...+85 °C (-40...+185 °F)
	File retention time	10 years

TMASD1 Characteristics

Characteristics	Description
Card removal durability	Minimum 1000 times
File retention time	10 years @ 25 °C (77 °F)
Flash type	SLC NAND
Memory size	512 MB
Ambient operation temperature	-10 ... +85°C (14...185 °F)
Storage temperature	-25 ... +85°C (-13...185 °F)
Relative humidity	95% max. non-condensing
Write/Erase cycles	3,000,000 (approximately)

NOTE: The TMASD1 has been rigorously tested in association with the logic controller. For other commercially available cards, consult your local sales representative.

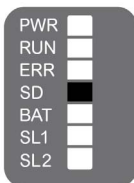
NOTE: The SD card can be used directly on your PC.

Status LED

The following figure shows the status LEDs of the TM221C Logic Controller:



The following figure shows the status LEDs of the TM221M Logic Controller:



The following table describes the SD card status LED:

Label	Description	LED		
		Color	Status	Description
SD	SD card	Green	On	Indicates that the SD card is being accessed.
			Off	Indicates no access.
			Flashing	Indicates that an error was detected during the SD card operation.

Chapter 3

M221 Installation

Overview

This chapter provides installation safety guidelines, device dimensions, mounting instructions, and environmental specifications.

What Is in This Chapter?

This chapter contains the following sections:

Section	Topic	Page
3.1	M221 Logic Controller General Rules for Implementing	78
3.2	M221 Logic Controller Installation	83
3.3	M221 Electrical Requirements	101

Section 3.1

M221 Logic Controller General Rules for Implementing

What Is in This Section?

This section contains the following topics:

Topic	Page
Environmental Characteristics	79
Certifications and Standards	82

Environmental Characteristics

Enclosure Requirements

M221 Logic Controller system components are designed as Zone B, Class A industrial equipment according to IEC/CISPR Publication 11. If they are used in environments other than those described in the standard, or in environments that do not meet the specifications in this manual, the ability to meet electromagnetic compatibility requirements in the presence of conducted and/or radiated interference may be reduced.

All M221 Logic Controller system components meet European Community (CE) requirements for open equipment as defined by IEC/EN 61131-2. You must install them in an enclosure designed for the specific environmental conditions and to minimize the possibility of unintended contact with hazardous voltages. Use metal enclosures to improve the electromagnetic immunity of your M221 Logic Controller system. Use enclosures with a keyed locking mechanism to minimize unauthorized access.

Environmental Characteristics

All the M221 Logic Controller module components are electrically isolated between the internal electronic circuit and the input/output channels within the limits set forth and described by these environmental characteristics. For more information on electrical isolation, see the technical specifications of your particular controller found later in the current document. This equipment meets CE requirements as indicated in the table below. This equipment is intended for use in a Pollution Degree 2 industrial environment.

WARNING

UNINTENDED EQUIPMENT OPERATION

Do not exceed any of the rated values specified in the environmental and electrical characteristics tables.

Failure to follow these instructions can result in death, serious injury, or equipment damage.

The following table shows the general environmental characteristics:

Characteristic		Specification
Standard compliance	IEC/EN 61131-2 IEC/EN 61010-2-201	
Ambient operating temperature	Horizontal installation	-10...55 °C (14...131 °F)
	Vertical installation	-10...35 °C (14...95 °F)
Storage temperature		-25...70 °C (- 13...158 °F)
Relative humidity	Transport and storage	10...95 % (non-condensing)
	Operation	10...95 % (non-condensing)
Degree of pollution	IEC/EN 60664-1	2
Degree of protection	IEC/EN 61131-2	IP20 with protective covers in place
Machine Safety conformance	IEC/EN 61010-2-201	Yes
Corrosion immunity		Atmosphere free from corrosive gases
Operating altitude		0...2000 m (0...6560 ft)
Storage altitude		0...3000 m (0...9843 ft)
Vibration resistance	IEC/EN 61131-2 Panel mounting or mounted on a top hat section rail (DIN rail)	3.5 mm (0.13 in) fixed amplitude from 5...8.5 Hz 29.4 m/s ² or 96.45 ft/s ² (3 g _n) fixed acceleration from 8.7...150 Hz
Mechanical shock resistance		147 m/s ² or 482.28 ft/s ² (15 g _n) for a duration of 11 ms 98 m/s ² or 32.15 ft/s ² (10 g _n) for a duration of 11 ms (for M221 Logic Controller with relay outputs)

Electromagnetic Susceptibility

The M221 Logic Controller system meets electromagnetic susceptibility specifications as indicated in the following table:

Characteristic	Designed to specification	Range		
Electrostatic discharge	IEC/EN 61000-4-2	8 kV (air discharge) 4 kV (contact discharge)		
Radiated electromagnetic field	IEC/EN 61000-4-3	10 V/m (80...1000 MHz) 3 V/m (1.4...2 GHz) 1 V/m (2...3 GHz)		
Magnetic field	IEC/EN 61000-4-8	30 A/m 50 Hz, 60 Hz		
Fast transients burst	IEC/EN 61000-4-4	–	CM ¹ and DM ²	
		AC/DC Power lines	2 kV	
		Relay Outputs	2 kV	
		24 Vdc I/Os	1 kV	
		Analog I/Os	1 kV	
		Communication line	1 kV	
Surge immunity	IEC/EN 61000-4-5 IEC/EN 61131-2	–	CM ¹	DM ²
		DC Power lines	1 kV	0.5 kV
		AC Power lines	2 kV	1 kV
		Relay Outputs	2 kV	1 kV
		24 Vdc I/Os	1 kV	–
		Shielded cable (between shield and ground)	1 kV	–
Induced electromagnetic field	IEC/EN 61000-4-6	10 Vrms (0.15...80 MHz)		
Conducted emission	IEC/EN 55011 (IEC/CISPR Publication 11)	AC power line: <ul style="list-style-type: none"> ● 0.15...0.5 MHz: 79 dBμV/m QP / 66 dBμV/m AV ● 0.5...300 MHz: 73 dBμV/m QP / 60 dBμV/m AV 		
		AC/DC power line: <ul style="list-style-type: none"> ● 10...150 kHz: 120...69 dBμV/m QP ● 150...1500 kHz: 79...63 dBμV/m QP ● 1.5...30 MHz: 63 dBμV/m QP 		
Radiated emission	IEC/EN 55011 (IEC/CISPR Publication 11)	Class A, 10 m distance: <ul style="list-style-type: none"> ● 30...230 MHz: 40 dBμV/m QP ● 230...1000 MHz: 47 dBμV/m QP 		
¹ Common Mode ² Differential Mode				

Certifications and Standards

Introduction

The M221 Logic Controllers are designed to conform to the main national and international standards concerning electronic industrial control devices:

- IEC/EN 61131-2
- UL 508

The M221 Logic Controllers have obtained the following conformity marks:

- CE
- CSA (not for TM221C***U)
- EAC
- RCM
- UL
- cCSAus Hazardous Location (not for TM221C***U)

The M221 Logic Controllers comply with the main national and international Directives and Regulations concerning electronic industrial control devices:

- Europe RoHS:
 - Exemption annex III 7(a)
 - Exemption annex III 7(c)-I
 - Exemption annex III 34

- China RoHS regulations
- REACH v9



Section 3.2

M221 Logic Controller Installation

What Is in This Section?

This section contains the following topics:

Topic	Page
Installation and Maintenance Requirements	84
TM221C Logic Controller Mounting Positions and Clearances	87
TM221M Logic Controller Mounting Positions and Clearances	90
Top Hat Section Rail (DIN rail)	93
Installing and Removing the Controller with Expansions	96
Direct Mounting on a Panel Surface	99

Installation and Maintenance Requirements

Before Starting

Read and understand this chapter before beginning the installation of your system.

The use and application of the information contained herein require expertise in the design and programming of automated control systems. Only you, the user, machine builder or integrator, can be aware of all the conditions and factors present during installation and setup, operation, and maintenance of the machine or process, and can therefore determine the automation and associated equipment and the related safeties and interlocks which can be effectively and properly used. When selecting automation and control equipment, and any other related equipment or software, for a particular application, you must also consider any applicable local, regional or national standards and/or regulations.

Pay particular attention in conforming to any safety information, different electrical requirements, and normative standards that would apply to your machine or process in the use of this equipment.

Disconnecting Power

All options and modules should be assembled and installed before installing the control system on a mounting rail, onto a mounting plate or in a panel. Remove the control system from its mounting rail, mounting plate or panel before disassembling the equipment.

DANGER

HAZARD OF ELECTRIC SHOCK, EXPLOSION OR ARC FLASH

- Disconnect all power from all equipment including connected devices prior to removing any covers or doors, or installing or removing any accessories, hardware, cables, or wires except under the specific conditions specified in the appropriate hardware guide for this equipment.
- Always use a properly rated voltage sensing device to confirm the power is off where and when indicated.
- Replace and secure all covers, accessories, hardware, cables, and wires and confirm that a proper ground connection exists before applying power to the unit.
- Use only the specified voltage when operating this equipment and any associated products.

Failure to follow these instructions will result in death or serious injury.

Programming Considerations

WARNING

UNINTENDED EQUIPMENT OPERATION

- Only use software approved by Schneider Electric for use with this equipment.
- Update your application program every time you change the physical hardware configuration.

Failure to follow these instructions can result in death, serious injury, or equipment damage.

Operating Environment

In addition to the **Environmental Characteristics**, refer to **Product Related Information** in the beginning of the present document for important information regarding installation in hazardous locations for this specific equipment.

WARNING

UNINTENDED EQUIPMENT OPERATION

Install and operate this equipment according to the conditions described in the Environmental Characteristics.

Failure to follow these instructions can result in death, serious injury, or equipment damage.

Installation Considerations

WARNING

UNINTENDED EQUIPMENT OPERATION

- Use appropriate safety interlocks where personnel and/or equipment hazards exist.
- Install and operate this equipment in an enclosure appropriately rated for its intended environment.
- Use the sensor and actuator power supplies only for supplying power to the sensors or actuators connected to the module.
- Power line and output circuits must be wired and fused in compliance with local and national regulatory requirements for the rated current and voltage of the particular equipment.
- Do not use this equipment in safety-critical machine functions unless the equipment is otherwise designated as functional safety equipment and conforming to applicable regulations and standards.
- Do not disassemble, repair, or modify this equipment.
- Do not connect any wiring to reserved, unused connections, or to connections designated as No Connection (N.C.).

Failure to follow these instructions can result in death, serious injury, or equipment damage.

NOTE: JDYX2 or JDYX8 fuse types are UL-recognized and CSA approved.

TM221C Logic Controller Mounting Positions and Clearances

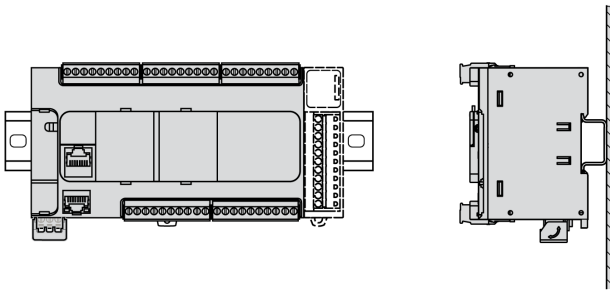
Introduction

This section describes the mounting positions for the TM221C Logic Controller .

NOTE: Keep adequate spacing for proper ventilation and to maintain the operating temperature specified in the Environmental Characteristics (*see page 79*).

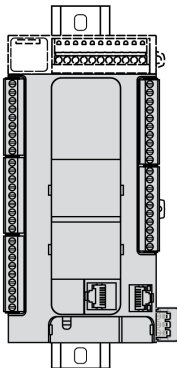
Correct Mounting Position

Whenever possible, the TM221C Logic Controller should be mounted horizontally on a vertical plane as shown in the figure below:



Acceptable Mounting Positions

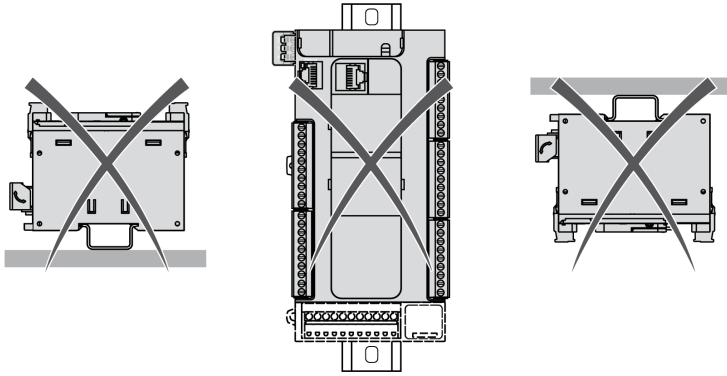
The TM221C Logic Controller can also be mounted vertically with a temperature derating on a vertical plane as shown below.



NOTE: Expansion modules must be mounted above the logic controller.

Incorrect Mounting Position

The TM221C Logic Controller should only be positioned as shown in Correct Mounting Position ([see page 87](#)) figure. The figures below show the incorrect mounting positions.



Minimum Clearances

⚠ WARNING

UNINTENDED EQUIPMENT OPERATION

- Place devices dissipating the most heat at the top of the cabinet and ensure adequate ventilation.
- Avoid placing this equipment next to or above devices that might cause overheating.
- Install the equipment in a location providing the minimum clearances from all adjacent structures and equipment as directed in this document.
- Install all equipment in accordance with the specifications in the related documentation.

Failure to follow these instructions can result in death, serious injury, or equipment damage.

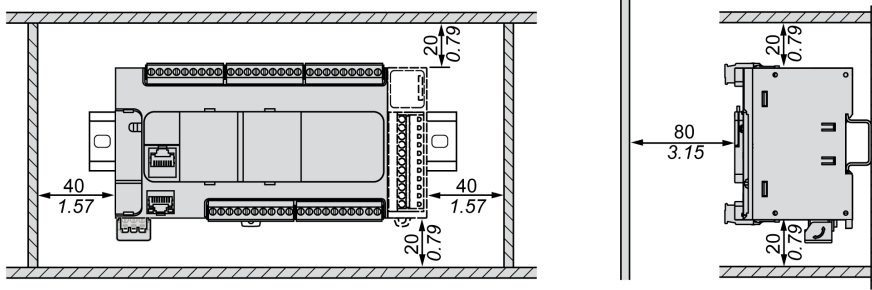
The M221 Logic Controller has been designed as an IP20 product and must be installed in an enclosure. Clearances must be respected when installing the product.

There are 3 types of clearances between:

- The M221 Logic Controller and all sides of the cabinet (including the panel door).
- The M221 Logic Controller terminal blocks and the wiring ducts. This distance reduces electromagnetic interference between the controller and the wiring ducts.
- The M221 Logic Controller and other heat generating devices installed in the same cabinet.

The following figure shows the minimum clearances that apply to all TM221C Logic Controller references:

$\frac{\text{mm}}{\text{in.}}$



TM221M Logic Controller Mounting Positions and Clearances

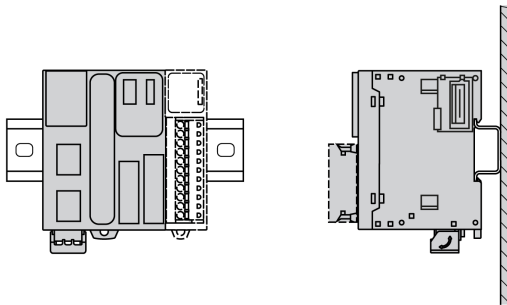
Introduction

This section describes the mounting positions for the M221 Logic Controller.

NOTE: Keep adequate spacing for proper ventilation and to maintain the operating temperature specified in the Environmental Characteristics (*see page 79*).

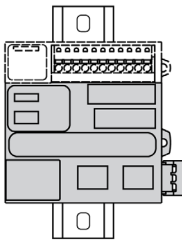
Correct Mounting Position

To obtain optimal operating characteristics, the M221 Logic Controller should be mounted horizontally on a vertical plane as shown in the figure below:



Acceptable Mounting Positions

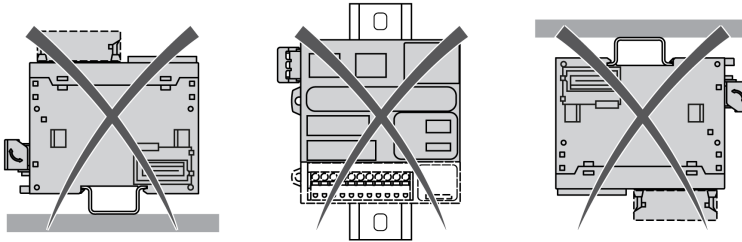
The M221 Logic Controller can also be mounted vertically on a vertical plane as shown below.



NOTE: Expansion modules must be mounted above the controller.

Incorrect Mounting Position

The M221 Logic Controller should only be positioned as shown in the Correct Mounting Position (see page 90) figure. The figures below show the incorrect mounting positions.



Minimum Clearances

⚠ WARNING

UNINTENDED EQUIPMENT OPERATION

- Place devices dissipating the most heat at the top of the cabinet and ensure adequate ventilation.
- Avoid placing this equipment next to or above devices that might cause overheating.
- Install the equipment in a location providing the minimum clearances from all adjacent structures and equipment as directed in this document.
- Install all equipment in accordance with the specifications in the related documentation.

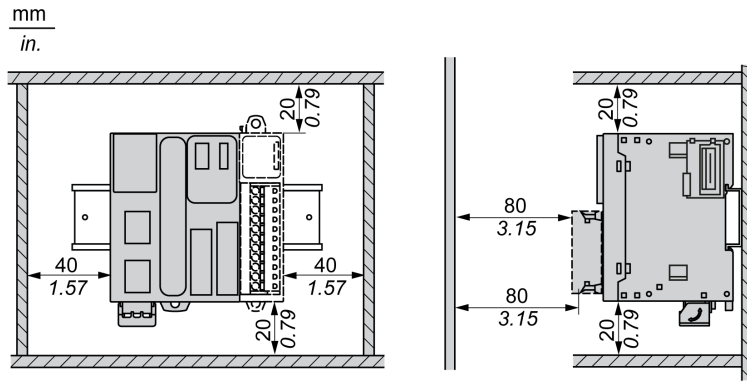
Failure to follow these instructions can result in death, serious injury, or equipment damage.

The M221 Logic Controller has been designed as an IP20 product and must be installed in an enclosure. Clearances must be respected when installing the product.

There are 3 types of clearances to consider:

- The M221 Logic Controller and all sides of the cabinet (including the panel door).
- The M221 Logic Controller terminal blocks and the wiring ducts to help reduce potential electromagnetic interference between the controller and the duct wiring.
- The M221 Logic Controller and other heat generating devices installed in the same cabinet.

The following figure shows the minimum clearances that apply to all M221 Logic Controller references:



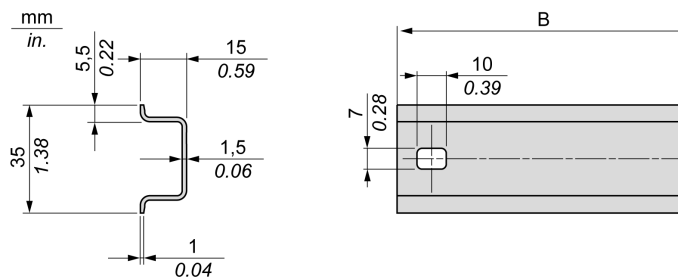
Top Hat Section Rail (DIN rail)

Dimensions of Top Hat Section Rail DIN Rail

You can mount the controller or receiver and its expansions on a 35 mm (1.38 in.) top hat section rail (DIN rail). It can be attached to a smooth mounting surface or suspended from a EIA rack or mounted in a NEMA cabinet.

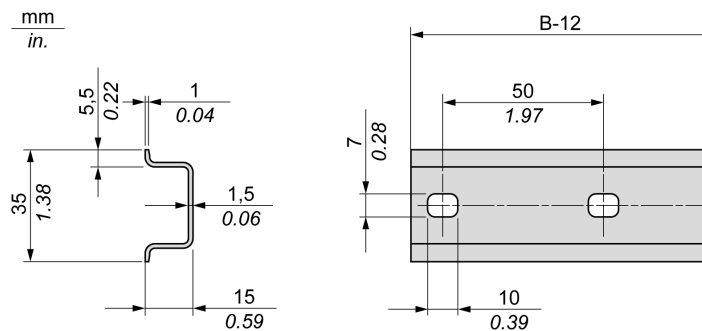
Symmetric Top Hat Section Rails (DIN Rail)

The following illustration and table show the references of the top hat section rails (DIN rail) for the wall-mounting range:



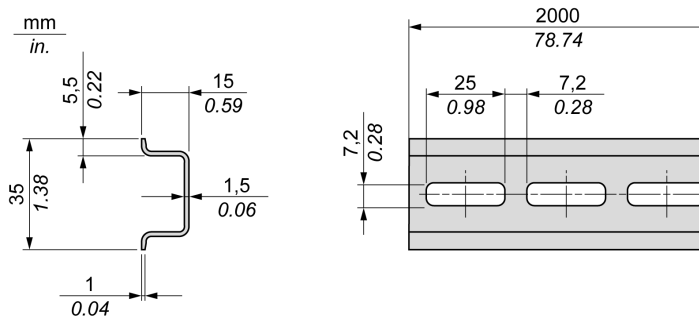
Reference	Type	Rail Length (B)
NSYS DR50A	A	450 mm (17.71 in.)
NSYS DR60A	A	550 mm (21.65 in.)
NSYS DR80A	A	750 mm (29.52 in.)
NSYS DR100A	A	950 mm (37.40 in.)

The following illustration and table show the references of the symmetric top hat section rails (DIN rail) for the metal enclosure range:



Reference	Type	Rail Length (B-12 mm)
NSYSDR60	A	588 mm (23.15 in.)
NSYSDR80	A	788 mm (31.02 in.)
NSYSDR100	A	988 mm (38.89 in.)
NSYSDR120	A	1188 mm (46.77 in.)

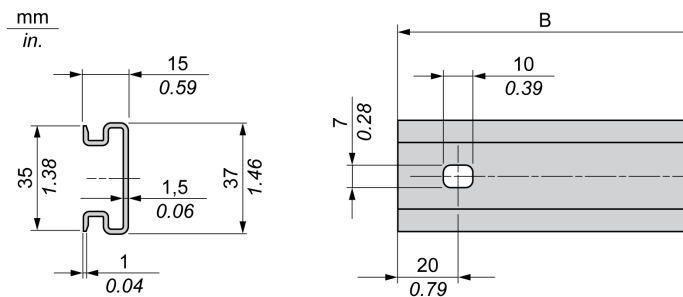
The following illustration and table shows the references of the symmetric top hat section rails (DIN rail) of 2000 mm (78.74 in.):



Reference	Type	Rail Length
NSYSDR200 ¹	A	2000 mm (78.74 in.)
NSYSDR200D ²	A	
1 Unperforated galvanized steel 2 Perforated galvanized steel		

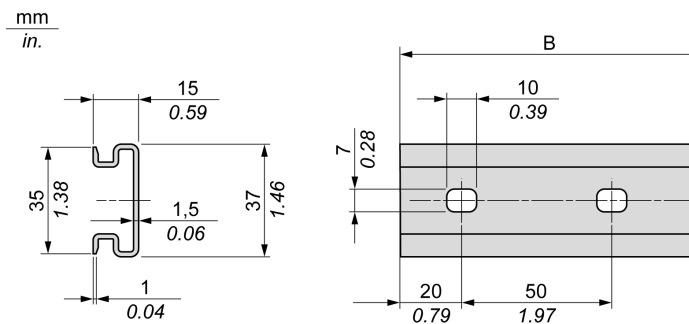
Double-Profile Top Hat Section Rails (DIN rail)

The following illustration and table show the references of the double-profile top hat section rails (DIN rails) for the wall-mounting range:



Reference	Type	Rail Length (B)
NSYDPR25	W	250 mm (9.84 in.)
NSYDPR35	W	350 mm (13.77 in.)
NSYDPR45	W	450 mm (17.71 in.)
NSYDPR55	W	550 mm (21.65 in.)
NSYDPR65	W	650 mm (25.60 in.)
NSYDPR75	W	750 mm (29.52 in.)

The following illustration and table show the references of the double-profile top hat section rails (DIN rail) for the floor-standing range:



Reference	Type	Rail Length (B)
NSYDPR60	F	588 mm (23.15 in.)
NSYDPR80	F	788 mm (31.02 in.)
NSYDPR100	F	988 mm (38.89 in.)
NSYDPR120	F	1188 mm (46.77 in.)

Installing and Removing the Controller with Expansions

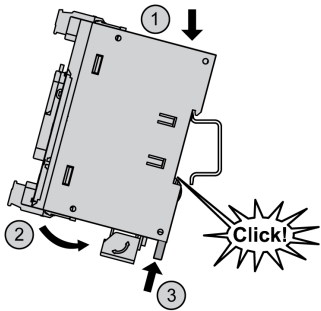
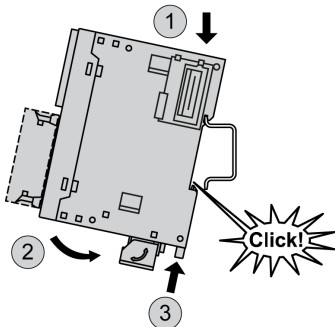
Overview

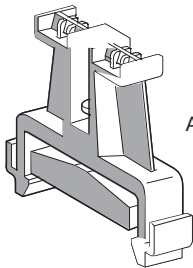
This section describes how to install and remove the controller with its expansion modules from a top hat section rail (DIN rail).

To assemble expansion modules to a controller or receiver module, or to other modules, refer to the respective expansion modules hardware guide(s).

Installing a Controller with its Expansions on a DIN Rail

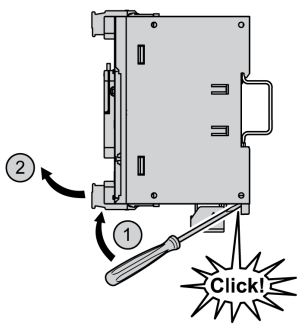
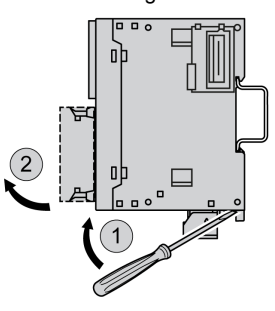
The following procedure describes how to install a controller with its expansion modules on a top hat section rail (DIN rail):

Step	Action
1	Fasten the top hat section rail (DIN rail) to a panel surface using screws.
2	<p>Position the top groove of the controller and its expansion modules on the top edge of the DIN rail and press the assembly against the top hat section rail (DIN rail) until you hear the top hat section rail (DIN rail) clip snap into place.</p> <p>On TM221C Logic Controller:</p>  <p>On TM221M Logic Controller:</p> 

Step	Action
3	<p data-bbox="351 199 1009 248">Place 2 terminal block end clamps on both sides of the controller and expansion module assembly.</p> <div data-bbox="358 261 655 526"><p data-bbox="540 370 655 391">AB1AB8P35</p></div> <p data-bbox="351 570 1016 649">NOTE: Type ABB8P35 or equivalent terminal block end clamps help minimize sideways movement and improve the shock and vibration characteristics of the controller and expansion module assembly.</p>

Removing a Controller with its Expansions from a Top Hat Section Rail (DIN Rail)

The following procedure describes how to remove a controller with its expansion modules from a top hat section rail (DIN rail):

Step	Action
1	Remove all power from your controller and expansion modules.
2	Insert a flat screwdriver into the slot of the top hat section rail (DIN rail) clip. On TM221C Logic Controller:  On TM221M Logic Controller: 
3	Pull down the DIN rail clip.
4	Pull the controller and its expansion modules from the top hat section rail (DIN rail) from the bottom.

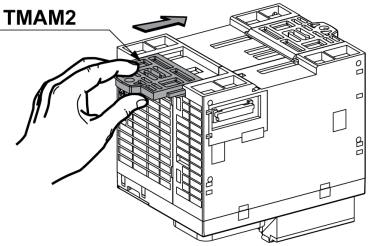
Direct Mounting on a Panel Surface

Overview

This section shows how to install M221 Logic Controller using the Panel Mounting Kit. This section also provides mounting hole layout for all modules.

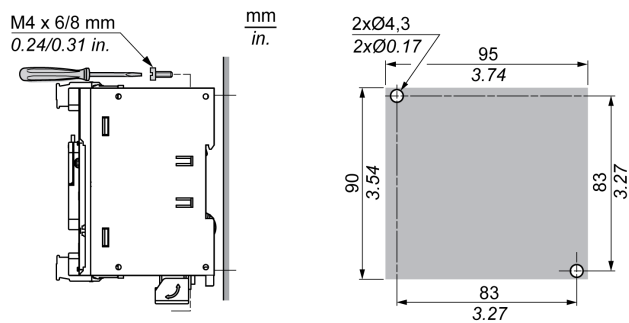
Installing the Panel Mount Kit

The following procedure shows how to install a mounting strip:

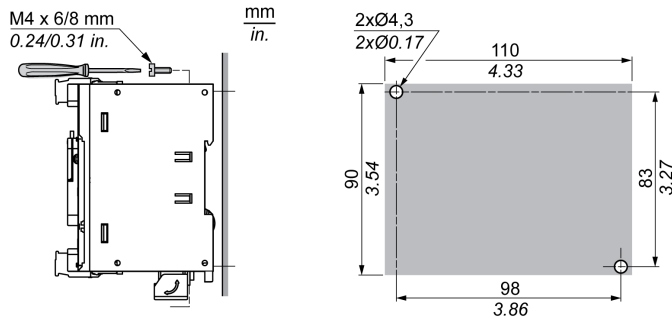
Step	Action
1	Insert the mounting strip TMAM2 into the slot at the top of the module. 

Mounting Hole Layout

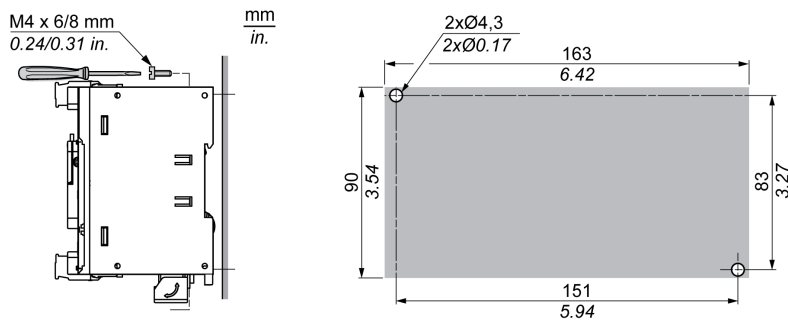
The following diagram shows the mounting hole layout for TM221C Logic Controller with 16 I/O channels:



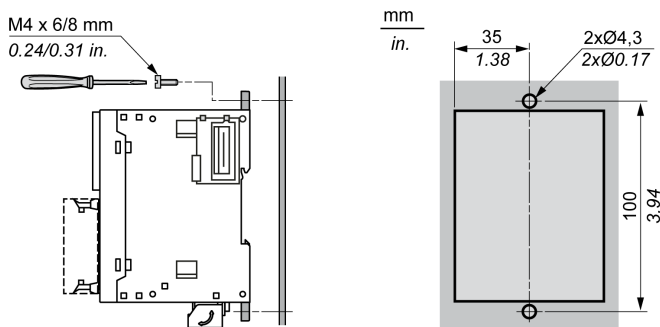
The following diagram shows the mounting hole layout for TM221C Logic Controller with 24 I/O channels:



The following diagram shows the mounting hole layout for TM221C Logic Controller with 40 I/O channels:



The following diagram shows the mounting hole layout for TM221M Logic Controller:



Section 3.3

M221 Electrical Requirements

What Is in This Section?

This section contains the following topics:

Topic	Page
Wiring Best Practices	102
DC Power Supply Characteristics and Wiring	109
AC Power Supply Characteristics and Wiring	114
Grounding the M221 System	117

Wiring Best Practices

Overview

This section describes the wiring guidelines and associated best practices to be respected when using the M221 Logic Controller system.

DANGER

HAZARD OF ELECTRIC SHOCK, EXPLOSION OR ARC FLASH

- Disconnect all power from all equipment including connected devices prior to removing any covers or doors, or installing or removing any accessories, hardware, cables, or wires except under the specific conditions specified in the appropriate hardware guide for this equipment.
- Always use a properly rated voltage sensing device to confirm the power is off where and when indicated.
- Replace and secure all covers, accessories, hardware, cables, and wires and confirm that a proper ground connection exists before applying power to the unit.
- Use only the specified voltage when operating this equipment and any associated products.

Failure to follow these instructions will result in death or serious injury.

WARNING

LOSS OF CONTROL

- The designer of any control scheme must consider the potential failure modes of control paths and, for certain critical control functions, provide a means to achieve a safe state during and after a path failure. Examples of critical control functions are emergency stop and overtravel stop, power outage and restart.
- Separate or redundant control paths must be provided for critical control functions.
- System control paths may include communication links. Consideration must be given to the implications of unanticipated transmission delays or failures of the link.
- Observe all accident prevention regulations and local safety guidelines.¹
- Each implementation of this equipment must be individually and thoroughly tested for proper operation before being placed into service.

Failure to follow these instructions can result in death, serious injury, or equipment damage.

¹ For additional information, refer to NEMA ICS 1.1 (latest edition), "Safety Guidelines for the Application, Installation, and Maintenance of Solid State Control" and to NEMA ICS 7.1 (latest edition), "Safety Standards for Construction and Guide for Selection, Installation and Operation of Adjustable-Speed Drive Systems" or their equivalent governing your particular location.

Wiring Guidelines

The following rules must be applied when wiring a M221 Logic Controller system:

- I/O and communication wiring must be kept separate from the power wiring. Route these 2 types of wiring in separate cable ducting.
- Verify that the operating conditions and environment are within the specification values.
- Use proper wire sizes to meet voltage and current requirements.
- Use copper conductors (required).
- Use twisted pair, shielded cables for analog, and/or fast I/O.
- Use twisted pair, shielded cables for networks, and fieldbus.

Use shielded, properly grounded cables for all analog and high-speed inputs or outputs and communication connections. If you do not use shielded cable for these connections, electromagnetic interference can cause signal degradation. Degraded signals can cause the controller or attached modules and equipment to perform in an unintended manner.

WARNING

UNINTENDED EQUIPMENT OPERATION

- Use shielded cables for all fast I/O, analog I/O and communication signals.
- Ground cable shields for all analog I/O, fast I/O and communication signals at a single point¹.
- Route communication and I/O cables separately from power cables.

Failure to follow these instructions can result in death, serious injury, or equipment damage.

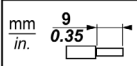
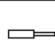
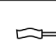



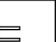





¹Multipoint grounding is permissible if connections are made to an equipotential ground plane dimensioned to help avoid cable shield damage in the event of power system short-circuit currents.

For more details, refer to Grounding Shielded Cables ([see page 117](#)).

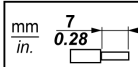



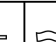

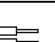
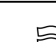
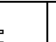



NOTE: Surface temperatures may exceed 60° C. To conform to IEC 61010 standards, route primary wiring (wires connected to power mains) separately and apart from secondary wiring (extra low voltage wiring coming from intervening power sources). If that is not possible, double insulation is required such as conduit or cable gains.

Rules for Removable Screw Terminal Block

The following tables show the cable types and wire sizes for a **3.81 pitch** removable screw terminal block (I/Os and power supply):

									
mm ²	0.14...1.5	0.14...1.5	0.25...1.5	0.25...0.5	2 x 0.14...0.5	2 x 0.14...0.75	2 x 0.25...0.34	2 x 0.5	
AWG	26...16	26...16	22...16	22...20	2 x 26...20	2 x 26...20	2 x 24...22	2 x 20	
 Ø 2,5 mm (0.1 in.)				N•m	0.28				
				lb-in	2.48				

The following tables show the cable types and wire sizes for a **5.08 pitch** removable screw terminal block (I/Os and power supply):

									
mm ²	0.2...2.5	0.2...2.5	0.25...2.5	0.25...2.5	2 x 0.2...1	2 x 0.2...1.5	2 x 0.25...1	2 x 0.5...1.5	
AWG	24...14	24...14	22...14	22...14	2 x 24...18	2 x 24...16	2 x 22...18	2 x 20...16	
 Ø 3,5 mm (0.14 in.)				N•m	0.51				
				lb-in	4.5				

The use of copper conductors is required.

DANGER

LOOSE WIRING CAUSES ELECTRIC SHOCK

- Tighten connections in conformance with the torque specifications.
- Do not insert more than one wire per connector of the terminal block without the cable ends specified above.

Failure to follow these instructions will result in death or serious injury.

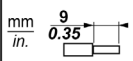
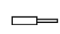
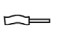
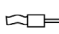
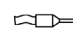
⚠ DANGER**FIRE HAZARD**

- Use only the correct wire sizes for the current capacity of the I/O channels and power supplies.
- For relay output (2 A) wiring, use conductors of at least 0.5 mm² (AWG 20) with a temperature rating of at least 80 °C (176 °F).
- For common conductors of relay output wiring (7 A), or relay output wiring greater than 2 A, use conductors of at least 1.0 mm² (AWG 16) with a temperature rating of at least 80 °C (176 °F).

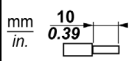
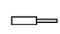
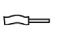
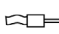
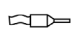
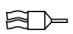
Failure to follow these instructions will result in death or serious injury.

Rules for Removable Spring Terminal Block

The following tables show the cable types and wire sizes for a **3.81 pitch** removable spring terminal block (I/Os and power supply):

				
mm ²	0.2...1.5	0.2...1.5	0.25...1.5	0.25...0.75
AWG	24...16	24...16	23...16	23...19

The following tables show the cable types and wire sizes for a **5.08 pitch** removable spring terminal block (I/Os and power supply):

					
mm ²	0.2...2.5	0.2...2.5	0.25...2.5	0.25...2.5	2 x 0.5...1
AWG	24...14	24...14	23...14	23...14	2 x 20...17

The use of copper conductors is required.

⚠ DANGER**FIRE HAZARD**

- Use only the correct wire sizes for the current capacity of the I/O channels and power supplies.
- For relay output (2 A) wiring, use conductors of at least 0.5 mm² (AWG 20) with a temperature rating of at least 80 °C (176 °F).
- For common conductors of relay output wiring (7 A), or relay output wiring greater than 2 A, use conductors of at least 1.0 mm² (AWG 16) with a temperature rating of at least 80 °C (176 °F).

Failure to follow these instructions will result in death or serious injury.

The spring clamp connectors of the terminal block are designed for only one wire or one cable end. Two wires to the same connector must be installed with a double wire cable end to help prevent loosening.

DANGER

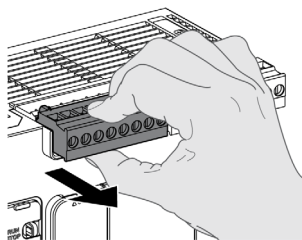
LOOSE WIRING CAUSES ELECTRIC SHOCK

Do not insert more than one wire per connector of the terminal block without a double wire cable end.

Failure to follow these instructions will result in death or serious injury.

Removing the I/O Terminal Block

The following figure shows the removal of the I/O terminal block from the TM221C Logic Controller:



Protecting Outputs from Inductive Load Damage

Depending on the load, a protection circuit may be needed for the outputs on the controllers and certain modules. Inductive loads using DC voltages may create voltage reflections resulting in overshoot that will damage or shorten the life of output devices.

CAUTION

OUTPUT CIRCUIT DAMAGE DUE TO INDUCTIVE LOADS

Use an appropriate external protective circuit or device to reduce the risk of inductive direct current load damage.

Failure to follow these instructions can result in injury or equipment damage.

If your controller or module contains relay outputs, these types of outputs can support up to 240 Vac. Inductive damage to these types of outputs can result in welded contacts and loss of control. Each inductive load must include a protection device such as a peak limiter, RC circuit or flyback diode. Capacitive loads are not supported by these relays.

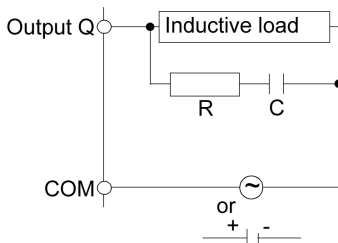
⚠ WARNING

RELAY OUTPUTS WELDED CLOSED

- Always protect relay outputs from inductive alternating current load damage using an appropriate external protective circuit or device.
- Do not connect relay outputs to capacitive loads.

Failure to follow these instructions can result in death, serious injury, or equipment damage.

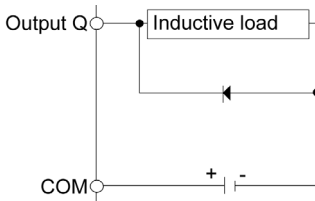
Protective circuit A: this protection circuit can be used for both AC and DC load power circuits.



C Value from 0.1 to 1 μF

R Resistor of approximately the same resistance value as the load

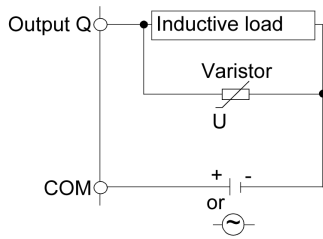
Protective circuit B: this protection circuit can be used for DC load power circuits.



Use a diode with the following ratings:

- Reverse withstand voltage: power voltage of the load circuit x 10.
- Forward current: more than the load current.

Protective circuit C: this protection circuit can be used for both AC and DC load power circuits.



In applications where the inductive load is switched on and off frequently and/or rapidly, ensure that the continuous energy rating (J) of the varistor exceeds the peak load energy by 20 % or more.

DC Power Supply Characteristics and Wiring

Overview

This section provides the characteristics and the wiring diagrams of the DC power supply.

DC Power Supply Voltage Range

If the specified voltage range is not maintained, outputs may not switch as expected. Use appropriate safety interlocks and voltage monitoring circuits.

DANGER

FIRE HAZARD

- Use only the correct wire sizes for the current capacity of the I/O channels and power supplies.
- For relay output (2 A) wiring, use conductors of at least 0.5 mm² (AWG 20) with a temperature rating of at least 80 °C (176 °F).
- For common conductors of relay output wiring (7 A), or relay output wiring greater than 2 A, use conductors of at least 1.0 mm² (AWG 16) with a temperature rating of at least 80 °C (176 °F).

Failure to follow these instructions will result in death or serious injury.

WARNING

UNINTENDED EQUIPMENT OPERATION

Do not exceed any of the rated values specified in the environmental and electrical characteristics tables.

Failure to follow these instructions can result in death, serious injury, or equipment damage.

DC Power Supply Requirements

The M221 Logic Controller and associated I/O (TM2, TM3 and embedded I/O) require power supplies with a nominal voltage of 24 Vdc. The 24 Vdc power supplies must be rated Safety Extra Low Voltage (SELV) or Protective Extra Low Voltage (PELV) according to IEC 61140. These power supplies are isolated between the electrical input and output circuits of the power supply.

WARNING

POTENTIAL OF OVERHEATING AND FIRE

- Do not connect the equipment directly to line voltage.
- Use only isolating PELV or SELV power supplies to supply power to the equipment¹.

Failure to follow these instructions can result in death, serious injury, or equipment damage.

¹For compliance to UL (Underwriters Laboratories) requirements, the power supply must also be of a type Class 2 with a maximum power output availability of less than 100 VA (approximately 4 A at nominal voltage). A Class 2 circuit requires dry indoor use only in non-hazardous locations, and must be grounded. You must separate Class 2 circuits from other circuits. If a non-Class 2 power source is used, either power supply or transformer, you must impose a current limiting device such as a fuse or a circuit breaker with a maximum rating of 4 A, but never exceeding the limits indicated in the electric characteristics and wiring diagrams for this equipment. If the indicated rating of the electrical characteristics or wiring diagrams are greater than 4 A, multiple Class 2 power supplies may be used.

Controller DC Characteristics

The following table shows the DC power supply characteristics:

Characteristic		Value	
Rated voltage		24 Vdc	
Power supply voltage range		20.4...28.8 Vdc	
Power interruption time		10 ms at 24 Vdc	
Maximum inrush current		35 A	
Maximum power consumption	TM221C16T	with 4 expansion modules	10 W
	TM221CE16T		11 W
	TM221C16U		10 W
	TM221CE16U		11 W
	TM221C24T	with 7 expansion modules	13 W
	TM221CE24T		14 W
	TM221C24U		13 W
	TM221CE24U		14 W
	TM221C40T		16 W
	TM221CE40T		17 W
	TM221C40U		16 W
	TM221CE40U		17 W
Maximum power consumption	TM221M16R•	with 7 expansion modules	22.5 W
	TM221ME16R•		23.3 W
	TM221M16T•		22 W
	TM221ME16T•		22.9 W
	TM221M32TK		22.3 W
	TM221ME32TK		23.2 W
Isolation	between DC power supply and internal logic	TM221C Logic Controller	500 Vac
		TM221M Logic Controller	Not isolated
	between DC power supply and protective earth ground (PE)		500 Vac

Power interruption

The TM221M Logic Controller must be supplied by an external 24 V power supply equipment. During power interruptions, the TM221M Logic Controller, associated to the suitable power supply, is able to continue normal operation for a minimum of 10 ms as specified by IEC standards.

When planning the management of the power supplied to the controller, you must consider the power interruption duration due to the fast cycle time of the controller.

There could potentially be many scans of the logic and consequential updates to the I/O image table during the power interruption, while there is no external power supplied to the inputs, the outputs or both depending on the power system architecture and power interruption circumstances.

WARNING

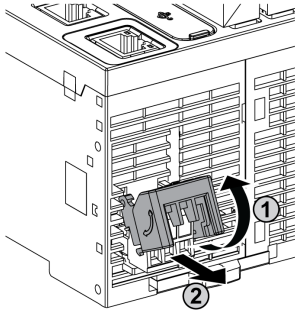
UNINTENDED EQUIPMENT OPERATION

- Individually monitor each source of power used in the controller system including input power supplies, output power supplies and the power supply to the controller to allow appropriate system shutdown during power system interruptions.
- The inputs monitoring each of the power supply sources must be unfiltered inputs.

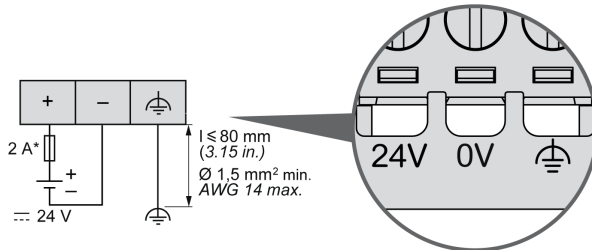
Failure to follow these instructions can result in death, serious injury, or equipment damage.

DC Power Supply Wiring Diagram

The following figure shows the power supply terminal block removal procedure:



The following figure shows the wiring of the DC power supply:



* Type T fuse

For more information, refer to the 5.08 pitch Rules for Removable Screw Terminal block ([see page 104](#)).

AC Power Supply Characteristics and Wiring

Overview

This section provides the wiring diagrams and the characteristics of the AC power supply.

AC Power Supply Voltage Range

If the specified voltage range is not maintained, outputs may not switch as expected. Use appropriate safety interlocks and voltage monitoring circuits.

DANGER

FIRE HAZARD

- Use only the correct wire sizes for the current capacity of the I/O channels and power supplies.
- For relay output (2 A) wiring, use conductors of at least 0.5 mm² (AWG 20) with a temperature rating of at least 80 °C (176 °F).
- For common conductors of relay output wiring (7 A), or relay output wiring greater than 2 A, use conductors of at least 1.0 mm² (AWG 16) with a temperature rating of at least 80 °C (176 °F).

Failure to follow these instructions will result in death or serious injury.

WARNING

UNINTENDED EQUIPMENT OPERATION

Do not exceed any of the rated values specified in the environmental and electrical characteristics tables.

Failure to follow these instructions can result in death, serious injury, or equipment damage.

Controller AC Characteristics

The following table shows the AC power supply characteristics:

Characteristic		Value	
Voltage	rated	100...240 Vac	
	limit (including ripple)	85...264 Vac	
Frequency	rated	50/60 Hz	
	limit	45/66 Hz	
Power interruption time		10 ms at 100 Vac	
Maximum inrush current	at 240 Vac	40 A	
Maximum power consumption at 100...240 Vac	TM221C16R	with 4 expansion modules	46 VA
	TM221CE16R		49 VA
	TM221C24R	with 7 expansion modules	55 VA
	TM221CE24R		58 VA
	TM221C40R		67 VA
	TM221CE40R		70 VA
Isolation	between AC power supply and internal logic	2300 Vac	
	between AC power supply and protective earth ground (PE)	1500 Vac	

Power interruption

The duration of power interruptions where the M221 Logic Controller is able to continue normal operation varies depending upon the load to the power supply of the controller, but generally a minimum of 10 ms is maintained as specified by IEC standards.

If there is a minimum load on the controller power supply, the interruption can be as long as 400 ms.

When planning the management of the power supplied to the controller, you must consider the duration due to the fast cycle time.

There could potentially be many scans of the logic and consequential updates to the I/O image table during the power interruption, while there is no external power supplied to the inputs, the outputs or both depending on the power system architecture and power interruption circumstances.

⚠ WARNING

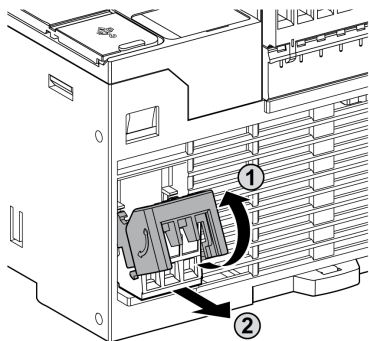
UNINTENDED EQUIPMENT OPERATION

- Individually monitor each source of power used in the Modicon M221 Logic Controller system including input power supplies, output power supplies and the power supply to the controller to allow appropriate system shutdown during power system interruptions.
- The inputs monitoring each of the power supply sources must be unfiltered inputs.

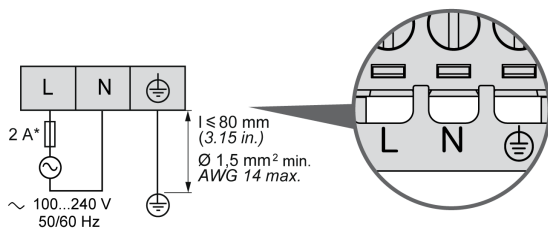
Failure to follow these instructions can result in death, serious injury, or equipment damage.

AC Power Supply Wiring Diagram

The following figure shows the power supply terminal block removal procedure:



The following figure shows the wiring of the AC power supply:



- * Use an external, slow-blow, type T fuse.

Grounding the M221 System

Overview

To help minimize the effects of electromagnetic interference, cables carrying the fast I/O, analog I/O, and field bus communication signals must be shielded.

WARNING

UNINTENDED EQUIPMENT OPERATION

- Use shielded cables for all fast I/O, analog I/O, and communication signals.
- Ground cable shields for all fast I/O, analog I/O, and communication signals at a single point¹.
- Route communications and I/O cables separately from power cables.

Failure to follow these instructions can result in death, serious injury, or equipment damage.

¹Multipoint grounding is permissible if connections are made to an equipotential ground plane dimensioned to help avoid cable shield damage in the event of power system short-circuit currents.

The use of shielded cables requires compliance with the following wiring rules:

- For protective ground connections (PE), metal conduit or ducting can be used for part of the shielding length, provided there is no break in the continuity of the ground connections. For functional ground (FE), the shielding is intended to attenuate electromagnetic interference and the shielding must be continuous for the length of the cable. If the purpose is both functional and protective, as is often the case for communication cables, the cable must have continuous shielding.
- Wherever possible, keep cables carrying one type of signal separate from the cables carrying other types of signals or power.

Protective Ground (PE) on the Backplane

The protective ground (PE) is connected to the conductive backplane by a heavy-duty wire, usually a braided copper cable with the maximum allowable cable section.

Shielded Cables Connections

Cables carrying the fast I/O, analog I/O, and field bus communication signals must be shielded. The shielding must be securely connected to ground. The fast I/O and analog I/O shields may be connected either to the functional ground (FE) or to the protective ground (PE) of your M221 Logic Controller. The field bus communication cable shields must be connected to the protective ground (PE) with a connecting clamp secured to the conductive backplane of your installation.

WARNING

ACCIDENTAL DISCONNECTION FROM PROTECTIVE GROUND (PE)

- Do not use the TM2XMTGB Grounding Bar to provide a protective ground (PE).
- Use the TM2XMTGB Grounding Bar only to provide a functional ground (FE).

Failure to follow these instructions can result in death, serious injury, or equipment damage.

The shielding of the Modbus cable must be connected to the protective ground (PE).

DANGER

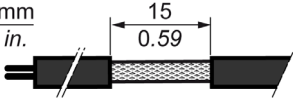
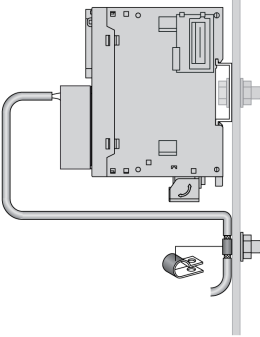
ELECTRIC SHOCK

Make sure that Modbus cables are securely connected to the protective ground (PE).

Failure to follow these instructions will result in death or serious injury.

Protective Ground (PE) Cable Shielding

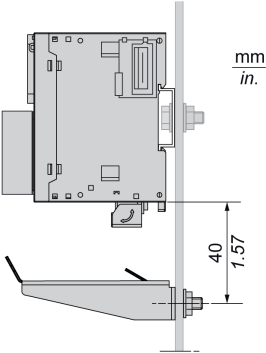
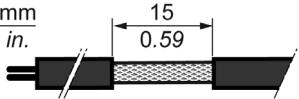
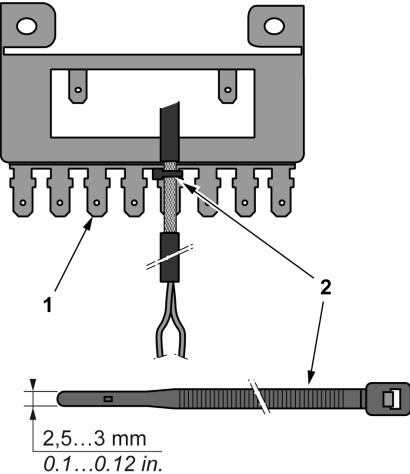
To ground the shield of a cable through a grounding clamp:

Step	Description	
1	Strip the shielding for a length of 15 mm (0.59 in.)	
2	Attach the cable to the conductive backplane plate by attaching the grounding clamp to the stripped part of the shielding as close as possible to the M221 Logic Controller system base.	

NOTE: The shielding must be clamped securely to the conductive backplane to ensure a good contact.

Functional Ground (FE) Cable Shielding

To connect the shield of a cable through the Grounding Bar:

Step	Description	
1	Install the Grounding Bar directly on the conductive backplane below the M221 Logic Controller system as illustrated.	
2	Strip the shielding for a length of 15 mm (0.59 in.).	
3	Tightly clamp on the blade connector (1) using nylon fastener (2) (width 2.5...3 mm (0.1...0.12 in.)) and appropriate tool.	

NOTE: Use the TM2XMTGB Grounding Bar for Functional Ground (FE) connections.

Part II

Modicon TM221C Logic Controller

What Is in This Part?

This part contains the following chapters:

Chapter	Chapter Name	Page
4	TM221C16R	123
5	TM221CE16R	127
6	TM221C16T	131
7	TM221CE16T	135
8	TM221C16U	141
9	TM221CE16U	145
10	TM221C24R	151
11	TM221CE24R	155
12	TM221C24T	159
13	TM221CE24T	163
14	TM221C24U	167
15	TM221CE24U	173
16	TM221C40R	179
17	TM221CE40R	185
18	TM221C40T	191
19	TM221CE40T	197
20	TM221C40U	203
21	TM221CE40U	209
22	Embedded I/O Channels	215

Chapter 4

TM221C16R

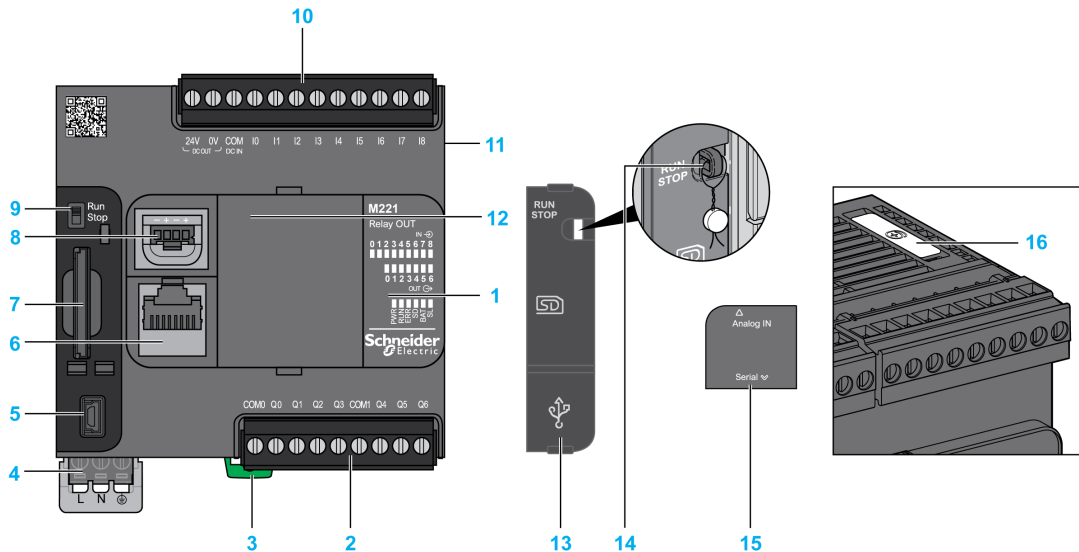
TM221C16R Presentation

Overview

The following features are integrated into the TM221C16R logic controller:

- 9 digital inputs
 - 4 fast inputs (HSC)
 - 5 regular inputs
- 7 digital outputs
 - 7 relay outputs
- 2 analog inputs
 - 1 serial line port
 - 1 USB mini-B programming port

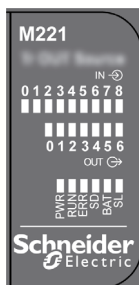
The following figure shows the different components of the logic controllers:



N°	Description	Refer to
1	Status LEDs	–
2	Output removable terminal block	Rules for Removable Screw Terminal Block (see page 104)
3	Clip-on lock for 35 mm (1.38 in.) top hat section rail (DIN-rail)	DIN Rail (see page 93)
4	100...240 Vac power supply	Power supply (see page 116)
5	USB mini-B programming port / For terminal connection to a programming PC (SoMachine Basic)	USB mini-B programming port (see page 374)
6	Serial line port 1 / RJ45 connector (RS-232 or RS-485)	Serial line 1 (see page 379)
7	SD Card slot	SD Card Slot (see page 72)
8	2 analog inputs	Analog Inputs (see page 249)
9	Run/Stop switch	Run/Stop switch (see page 69)
10	Input removable terminal block and embedded power supply used for connecting sensors to the inputs. ⁽¹⁾	Rules for Removable Screw Terminal Block (see page 104)
11	I/O expansion connector	–
12	Cartridge slot	–
13	Protective cover (SD Card slot, Run/Stop switch and USB mini-B programming port)	–
14	Locking hook	–
15	Removable analog inputs cover	–
16	Battery holder	Installing and Replacing the Battery (see page 55)
<p>⁽¹⁾ Embedded power supply characteristics:</p> <ul style="list-style-type: none"> ● Voltage: 24 V -15%...+10% isolated ● I_{max}: 250 mA ● No protection and no overload detection <p>Refer to Embedded I/O Channels (see page 215).</p>		

Status LEDs

The following figure shows the status LEDs:



The following table describes the status LEDs:

Label	Function Type	Color	Status	Description		
				Controller States ⁽¹⁾	Prg Port Communication	Application Execution
PWR	Power	Green	On	Indicates that power is applied.		
			Off	Indicates that power is removed.		
RUN	Machine Status	Green	On	Indicates that the controller is running a valid application.		
			Flashing	Indicates that the controller has a valid application that is stopped.		
			Off	Indicates that the controller is not programmed.		
ERR	Error	Red	On*	EXCEPTION	Restricted	NO
			Flashing (with RUN status LED Off)	INTERNAL ERROR	Restricted	NO
			Slow flash	Minor error detected ⁽²⁾	Yes	Depends on the RUN status LED
			1 single flash	No application	Yes	Yes

* ERR LED is also On during booting process.

NOTE: For information about the LEDs integrated into the Ethernet connector, refer to Ethernet Status LEDs ([see page 378](#))

(1) For more information about the controller state description, refer to the M221 Logic Controller - Programming Guide (*see Modicon M221, Logic Controller, Programming Guide*).

(2) The controller detected an error but remains in RUNNING state. The ERR LED on the controller flashes. For more information, refer to M221 Logic Controller - Programming Guide.

Label	Function Type	Color	Status	Description		
				Controller States ⁽¹⁾	Prg Port Communication	Application Execution
SD	SD Card Access (see page 72)	Green	On	Indicates that the SD card is being accessed.		
			Flashing	Indicates that an error was detected during the SD card operation.		
			Off	Indicates no access (idle) or no card is present.		
BAT	Battery (see page 54)	Red	On	Indicates that the battery needs to be replaced.		
			Flashing	Indicates that the battery charge is low.		
			Off	Indicates that the battery is OK.		
SL	Serial line 1 (see page 379)	Green	On	Indicates the status of Serial line 1.		
			Flashing	Indicates activity on Serial line 1.		
			Off	Indicates no serial communication.		

* ERR LED is also On during booting process.

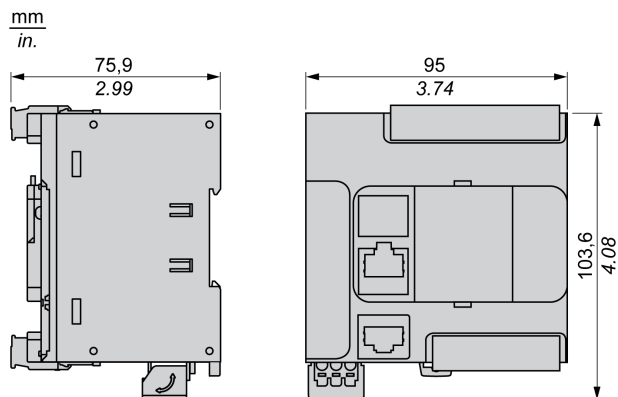
NOTE: For information about the LEDs integrated into the Ethernet connector, refer to Ethernet Status LEDs (see page 378)

(1) For more information about the controller state description, refer to the M221 Logic Controller - Programming Guide (see Modicon M221, Logic Controller, Programming Guide).

(2) The controller detected an error but remains in RUNNING state. The ERR LED on the controller flashes. For more information, refer to M221 Logic Controller - Programming Guide.

Dimensions

The following figure show the external dimensions of the logic controller:



Chapter 5

TM221CE16R

TM221CE16R Presentation

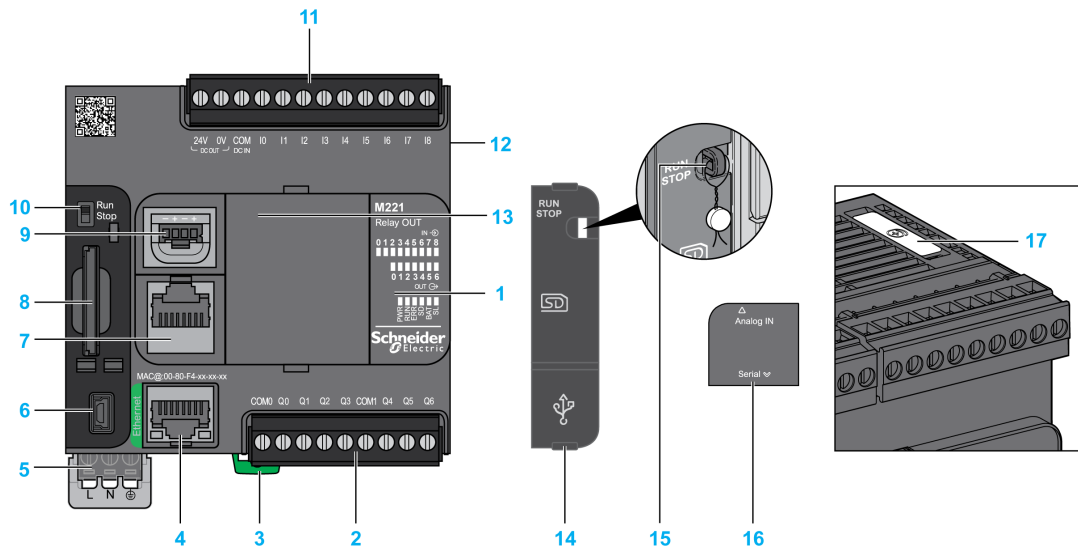
Overview

The following features are integrated into the TM221CE16R logic controller:

- 9 digital inputs
 - 4 fast inputs (HSC)
 - 5 regular inputs
- 7 digital outputs
 - 7 relay outputs
- 2 analog inputs
- Communication ports
 - 1 serial line port
 - 1 USB mini-B programming port
 - 1 Ethernet port

Description

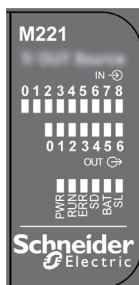
The following figure shows the different components of the logic controller:



N°	Description	Refer to
1	Status LEDs	–
2	Output removable terminal block	Rules for Removable Screw Terminal Block (see page 104)
3	Clip-on lock for 35 mm (1.38 in.) top hat section rail (DIN-rail)	DIN Rail (see page 93)
4	Ethernet port / RJ45 connector	Ethernet port (see page 376)
5	100...240 Vac power supply	Power supply (see page 116)
6	USB mini-B programming port / For terminal connection to a programming PC (SoMachine Basic)	USB mini-B programming port (see page 374)
7	Serial line port 1 / RJ45 connector (RS-232 or RS-485)	Serial line 1 (see page 379)
8	SD Card slot	SD Card Slot (see page 72)
9	2 analog inputs	Analog Inputs (see page 249)
10	Run/Stop switch	Run/Stop switch (see page 69)
11	Input removable terminal block and embedded power supply used for connecting sensors to the inputs. ⁽¹⁾	Rules for Removable Screw Terminal Block (see page 104)
12	I/O expansion connector	–
13	Cartridge slot	–
14	Protective cover (SD Card slot, Run/Stop switch and USB mini-B programming port)	–
15	Locking hook	–
16	Removable analog inputs cover	–
17	Battery holder	Installing and Replacing the Battery (see page 55)
<p>⁽¹⁾ Embedded power supply characteristics:</p> <ul style="list-style-type: none"> ● Voltage: 24 V -15%...+10% isolated ● I_{max}: 250 mA ● No protection and no overload detection <p>Refer to Embedded I/O Channels (see page 215).</p>		

Status LEDs

The following figure shows the status LEDs:



The following table describes the status LEDs:

Label	Function Type	Color	Status	Description		
				Controller States ⁽¹⁾	Prg Port Communication	Application Execution
PWR	Power	Green	On	Indicates that power is applied.		
			Off	Indicates that power is removed.		
RUN	Machine Status	Green	On	Indicates that the controller is running a valid application.		
			Flashing	Indicates that the controller has a valid application that is stopped.		
			Off	Indicates that the controller is not programmed.		
ERR	Error	Red	On*	EXCEPTION	Restricted	NO
			Flashing (with RUN status LED Off)	INTERNAL ERROR	Restricted	NO
			Slow flash	Minor error detected ⁽²⁾	Yes	Depends on the RUN status LED
			1 single flash	No application	Yes	Yes

* ERR LED is also On during booting process.

NOTE: For information about the LEDs integrated into the Ethernet connector, refer to Ethernet Status LEDs ([see page 378](#))

(1) For more information about the controller state description, refer to the M221 Logic Controller - Programming Guide ([see Modicon M221, Logic Controller, Programming Guide](#)).

(2) The controller detected an error but remains in RUNNING state. The ERR LED on the controller flashes. For more information, refer to M221 Logic Controller - Programming Guide.

Label	Function Type	Color	Status	Description		
				Controller States ⁽¹⁾	Prg Port Communication	Application Execution
SD	SD Card Access (see page 72)	Green	On	Indicates that the SD card is being accessed.		
			Flashing	Indicates that an error was detected during the SD card operation.		
			Off	Indicates no access (idle) or no card is present.		
BAT	Battery (see page 54)	Red	On	Indicates that the battery needs to be replaced.		
			Flashing	Indicates that the battery charge is low.		
			Off	Indicates that the battery is OK.		
SL	Serial line 1 (see page 379)	Green	On	Indicates the status of Serial line 1.		
			Flashing	Indicates activity on Serial line 1.		
			Off	Indicates no serial communication.		

* ERR LED is also On during booting process.

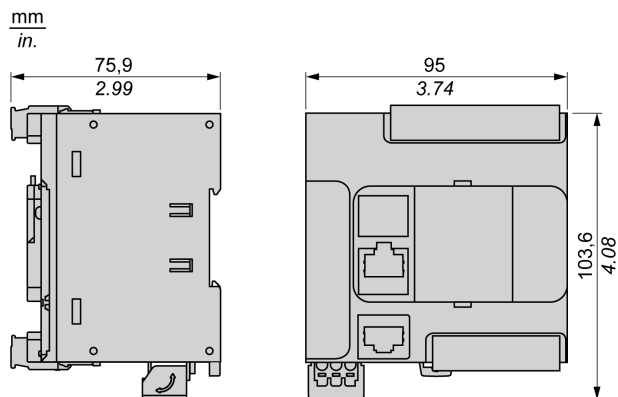
NOTE: For information about the LEDs integrated into the Ethernet connector, refer to Ethernet Status LEDs (see page 378)

(1) For more information about the controller state description, refer to the M221 Logic Controller - Programming Guide (see Modicon M221, Logic Controller, Programming Guide).

(2) The controller detected an error but remains in RUNNING state. The ERR LED on the controller flashes. For more information, refer to M221 Logic Controller - Programming Guide.

Dimensions

The following figure shows the external dimensions of the logic controllers:



Chapter 6

TM221C16T

TM221C16T Presentation

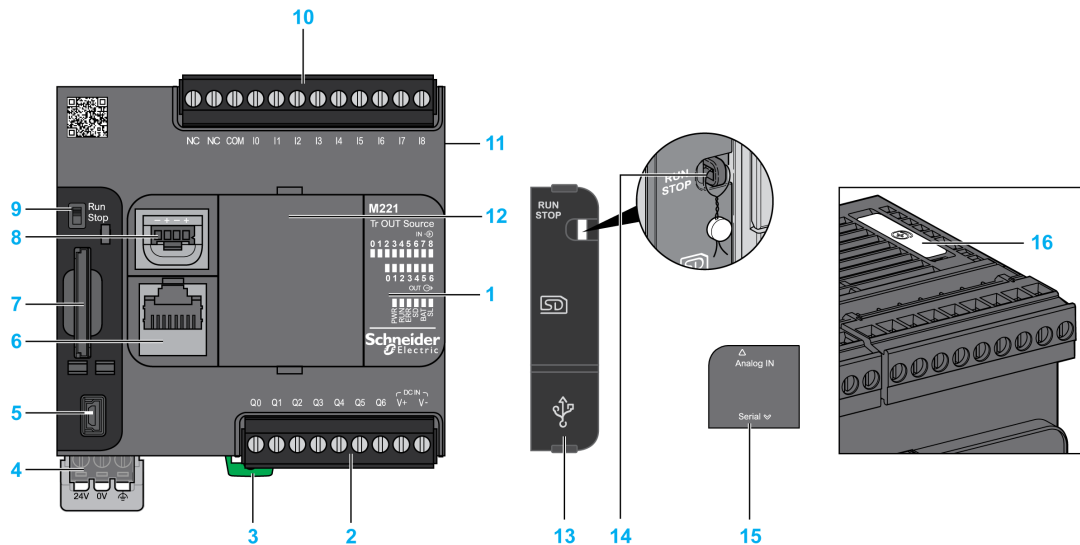
Overview

The following features are integrated into the TM221C16T logic controller:

- 9 digital inputs
 - 4 fast inputs (HSC)
 - 5 regular inputs
- 7 digital outputs
 - 2 fast source transistor outputs
 - 5 regular source transistor outputs
- 2 analog inputs
- Communication ports
 - 1 serial line port
 - 1 USB mini-B programming port

Description

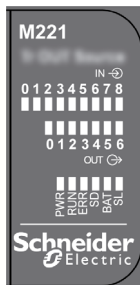
The following figure shows the different components of the logic controllers:



N°	Description	Refer to
1	Status LEDs	–
2	Output removable terminal block	Rules for Removable Screw Terminal Block (see page 104)
3	Clip-on lock for 35 mm (1.38 in.) top hat section rail (DIN-rail)	DIN Rail (see page 93)
4	24 Vdc power supply	Power supply (see page 109)
5	USB mini-B programming port / For terminal connection to a programming PC (SoMachine Basic)	USB mini-B programming port (see page 374)
6	Serial line port 1 / RJ45 connector (RS-232 or RS-485)	Serial line 1 (see page 379)
7	SD Card slot	SD Card Slot (see page 72)
8	2 analog inputs	Analog Inputs (see page 249)
9	Run/Stop switch	Run/Stop switch (see page 69)
10	Input removable terminal block	Rules for Removable Screw Terminal Block (see page 104)
11	I/O expansion connector	–
12	Cartridge slot	–
13	Protective cover (SD Card slot, Run/Stop switch and USB mini-B programming port)	–
14	Locking hook	–
15	Removable analog inputs cover	–
16	Battery holder	Installing and Replacing the Battery (see page 55)

Status LEDs

The following figure shows the status LEDs:



The following table describes the status LEDs:

Label	Function Type	Color	Status	Description		
				Controller States ⁽¹⁾	Prg Port Communication	Application Execution
PWR	Power	Green	On	Indicates that power is applied.		
			Off	Indicates that power is removed.		
RUN	Machine Status	Green	On	Indicates that the controller is running a valid application.		
			Flashing	Indicates that the controller has a valid application that is stopped.		
			Off	Indicates that the controller is not programmed.		
ERR	Error	Red	On*	EXCEPTION	Restricted	NO
			Flashing (with RUN status LED Off)	INTERNAL ERROR	Restricted	NO
			Slow flash	Minor error detected ⁽²⁾	Yes	Depends on the RUN status LED
			1 single flash	No application	Yes	Yes
SD	SD Card Access (see page 72)	Green	On	Indicates that the SD card is being accessed.		
			Flashing	Indicates that an error was detected during the SD card operation.		
			Off	Indicates no access (idle) or no card is present.		
BAT	Battery (see page 54)	Red	On	Indicates that the battery needs to be replaced.		
			Flashing	Indicates that the battery charge is low.		
			Off	Indicates that the battery is OK.		
SL	Serial line 1 (see page 379)	Green	On	Indicates the status of Serial line 1.		
			Flashing	Indicates activity on Serial line 1.		
			Off	Indicates no serial communication.		

* ERR LED is also On during booting process.

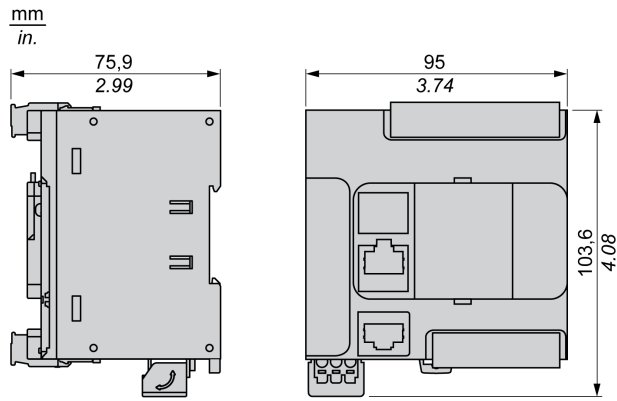
NOTE: For information about the LEDs integrated into the Ethernet connector, refer to Ethernet Status LEDs (see page 378)

(1) For more information about the controller state description, refer to the M221 Logic Controller - Programming Guide (see *Modicon M221, Logic Controller, Programming Guide*).

(2) The controller detected an error but remains in RUNNING state. The ERR LED on the controller flashes. For more information, refer to M221 Logic Controller - Programming Guide.

Dimensions

The following figure shows the external dimensions of the logic controllers:



Chapter 7

TM221CE16T

TM221CE16T Presentation

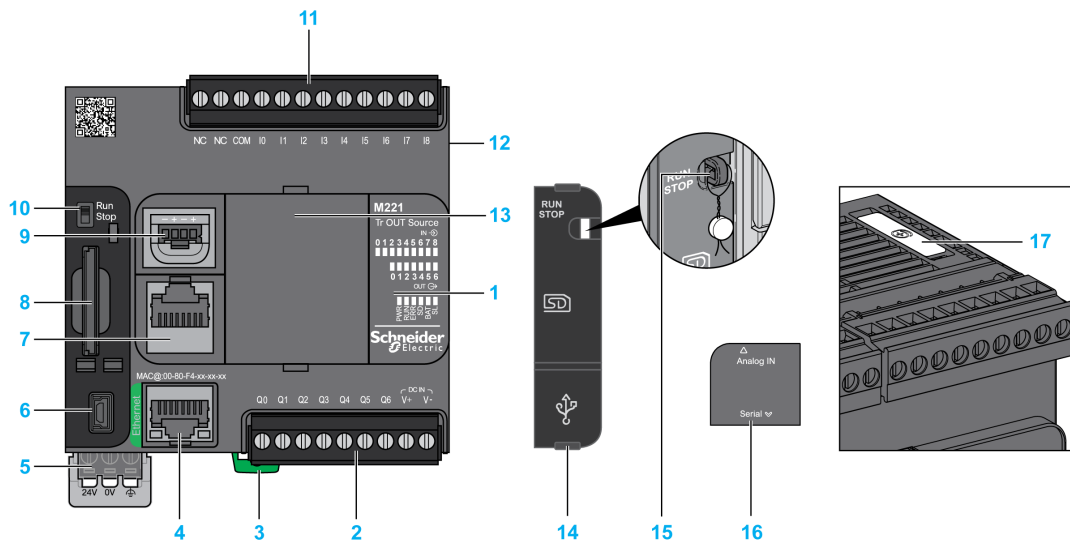
Overview

The following features are integrated into the TM221CE16T logic controller:

- 9 digital inputs
 - 4 fast inputs (HSC)
 - 5 regular inputs
- 7 digital outputs
 - 2 fast source transistor outputs
 - 5 regular source transistor outputs
- 2 analog inputs
- Communication ports
 - 1 serial line port
 - 1 USB mini-B programming port
 - 1 Ethernet port

Description

The following figure shows the different components of the logic controllers:

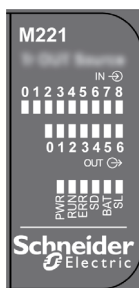


N°	Description	Refer to
1	Status LEDs	–
2	Output removable terminal block	Rules for Removable Screw Terminal Block (see page 104)
3	Clip-on lock for 35 mm (1.38 in.) top hat section rail (DIN-rail)	DIN Rail (see page 93)
4	Ethernet port / RJ45 connector	Ethernet port (see page 376)
5	24 Vdc power supply	Power supply (see page 109)
6	USB mini-B programming port / For terminal connection to a programming PC (SoMachine Basic)	USB mini-B programming port (see page 374)
7	Serial line port 1 / RJ45 connector (RS-232 or RS-485)	Serial line 1 (see page 379)
8	SD Card slot	SD Card Slot (see page 72)
9	2 analog inputs	Analog Inputs (see page 249)
10	Run/Stop switch	Run/Stop switch (see page 69)
11	Input removable terminal block	Rules for Removable Screw Terminal Block (see page 104)
12	I/O expansion connector	–
13	Cartridge slot	–

N°	Description	Refer to
14	Protective cover (SD Card slot, Run/Stop switch and USB mini-B programming port)	–
15	Locking hook	–
16	Removable analog inputs cover	–
17	Battery holder	Installing and Replacing the Battery (see page 55)

Status LEDs

The following figure shows the status LEDs:



The following table describes the status LEDs:

Label	Function Type	Color	Status	Description		
				Controller States ⁽¹⁾	Prg Port Communication	Application Execution
PWR	Power	Green	On	Indicates that power is applied.		
			Off	Indicates that power is removed.		
RUN	Machine Status	Green	On	Indicates that the controller is running a valid application.		
			Flashing	Indicates that the controller has a valid application that is stopped.		
			Off	Indicates that the controller is not programmed.		
* ERR LED is also On during booting process.						
NOTE: For information about the LEDs integrated into the Ethernet connector, refer to Ethernet Status LEDs (see page 378)						
(1) For more information about the controller state description, refer to the M221 Logic Controller - Programming Guide (see <i>Modicon M221, Logic Controller, Programming Guide</i>).						
(2) The controller detected an error but remains in RUNNING state. The ERR LED on the controller flashes. For more information, refer to M221 Logic Controller - Programming Guide.						

Label	Function Type	Color	Status	Description		
				Controller States ⁽¹⁾	Prg Port Communication	Application Execution
ERR	Error	Red	On*	EXCEPTION	Restricted	NO
			Flashing (with RUN status LED Off)	INTERNAL ERROR	Restricted	NO
			Slow flash	Minor error detected ⁽²⁾	Yes	Depends on the RUN status LED
			1 single flash	No application	Yes	Yes
SD	SD Card Access <i>(see page 72)</i>	Green	On	Indicates that the SD card is being accessed.		
			Flashing	Indicates that an error was detected during the SD card operation.		
			Off	Indicates no access (idle) or no card is present.		
BAT	Battery <i>(see page 54)</i>	Red	On	Indicates that the battery needs to be replaced.		
			Flashing	Indicates that the battery charge is low.		
			Off	Indicates that the battery is OK.		
SL	Serial line 1 <i>(see page 379)</i>	Green	On	Indicates the status of Serial line 1.		
			Flashing	Indicates activity on Serial line 1.		
			Off	Indicates no serial communication.		

* ERR LED is also On during booting process.

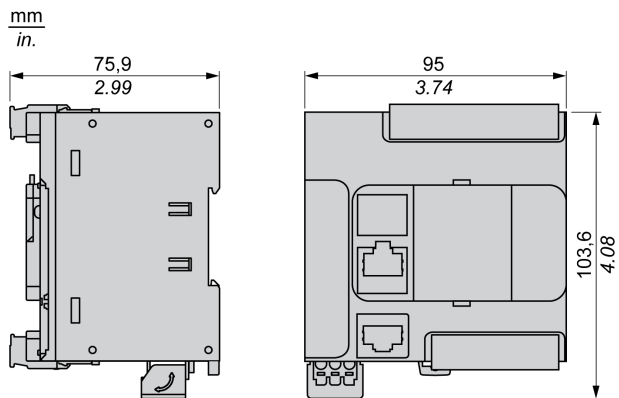
NOTE: For information about the LEDs integrated into the Ethernet connector, refer to Ethernet Status LEDs *(see page 378)*

(1) For more information about the controller state description, refer to the M221 Logic Controller - Programming Guide *(see Modicon M221, Logic Controller, Programming Guide)*.

(2) The controller detected an error but remains in RUNNING state. The ERR LED on the controller flashes. For more information, refer to M221 Logic Controller - Programming Guide.

Dimensions

The following figure shows the external dimensions of the logic controllers:



Chapter 8

TM221C16U

TM221C16U Presentation

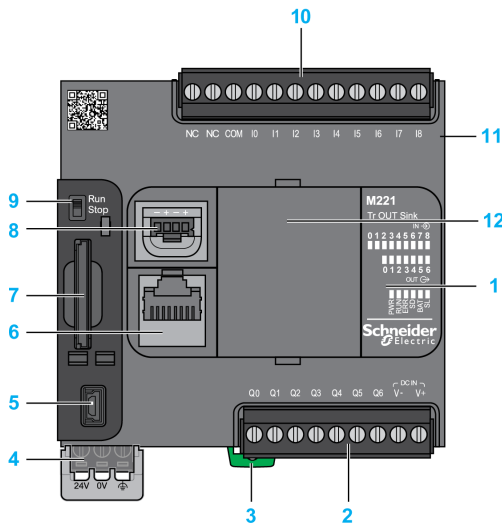
Overview

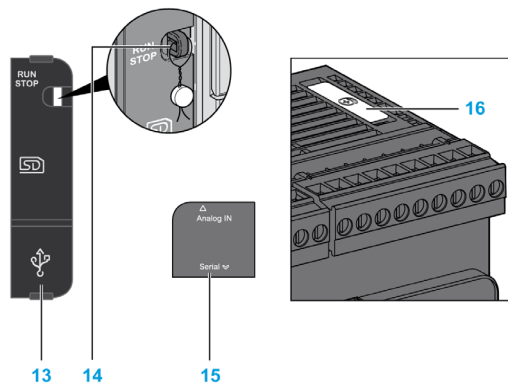
The following features are integrated into the TM221C16U logic controller:

- 9 digital inputs
 - 4 fast inputs (HSC)
 - 5 regular inputs
- 7 digital outputs
 - 2 fast sink transistor outputs
 - 5 regular sink transistor outputs
- 2 analog inputs
- Communication ports
 - 1 serial line port
 - 1 USB mini-B programming port

Description

The following figure shows the different components of the logic controllers:

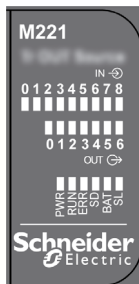




N°	Description	Refer to
1	Status LEDs	–
2	Output removable terminal block	Rules for Removable Screw Terminal Block (see page 104)
3	Clip-on lock for 35 mm (1.38 in.) top hat section rail (DIN-rail)	DIN Rail (see page 93)
4	24 Vdc power supply	Power supply (see page 109)
5	USB mini-B programming port / For terminal connection to a programming PC (SoMachine Basic)	USB mini-B programming port (see page 374)
6	Serial line port 1 / RJ45 connector (RS-232 or RS-485)	Serial line 1 (see page 379)
7	SD Card slot	SD Card Slot (see page 72)
8	2 analog inputs	Analog Inputs (see page 249)
9	Run/Stop switch	Run/Stop switch (see page 69)
10	Input removable terminal block	Rules for Removable Screw Terminal Block (see page 104)
11	I/O expansion connector	–
12	Cartridge slot	–
13	Protective cover (SD Card slot, Run/Stop switch and USB mini-B programming port)	–
14	Locking hook	–
15	Removable analog inputs cover	–
16	Battery holder	Installing and Replacing the Battery (see page 55)

Status LEDs

The following figure shows the status LEDs:



The following table describes the status LEDs:

Label	Function Type	Color	Status	Description		
				Controller States ⁽¹⁾	Prg Port Communication	Application Execution
PWR	Power	Green	On	Indicates that power is applied.		
			Off	Indicates that power is removed.		
RUN	Machine Status	Green	On	Indicates that the controller is running a valid application.		
			Flashing	Indicates that the controller has a valid application that is stopped.		
			Off	Indicates that the controller is not programmed.		
ERR	Error	Red	On*	EXCEPTION	Restricted	NO
			Flashing (with RUN status LED Off)	INTERNAL ERROR	Restricted	NO
			Slow flash	Minor error detected ⁽²⁾	Yes	Depends on the RUN status LED
			1 single flash	No application	Yes	Yes

* ERR LED is also On during booting process.

NOTE: For information about the LEDs integrated into the Ethernet connector, refer to Ethernet Status LEDs ([see page 378](#))

(1) For more information about the controller state description, refer to the M221 Logic Controller - Programming Guide ([see Modicon M221, Logic Controller, Programming Guide](#)).

(2) The controller detected an error but remains in RUNNING state. The ERR LED on the controller flashes. For more information, refer to M221 Logic Controller - Programming Guide.

Label	Function Type	Color	Status	Description		
				Controller States ⁽¹⁾	Prg Port Communication	Application Execution
SD	SD Card Access (see page 72)	Green	On	Indicates that the SD card is being accessed.		
			Flashing	Indicates that an error was detected during the SD card operation.		
			Off	Indicates no access (idle) or no card is present.		
BAT	Battery (see page 54)	Red	On	Indicates that the battery needs to be replaced.		
			Flashing	Indicates that the battery charge is low.		
			Off	Indicates that the battery is OK.		
SL	Serial line 1 (see page 379)	Green	On	Indicates the status of Serial line 1.		
			Flashing	Indicates activity on Serial line 1.		
			Off	Indicates no serial communication.		

* ERR LED is also On during booting process.

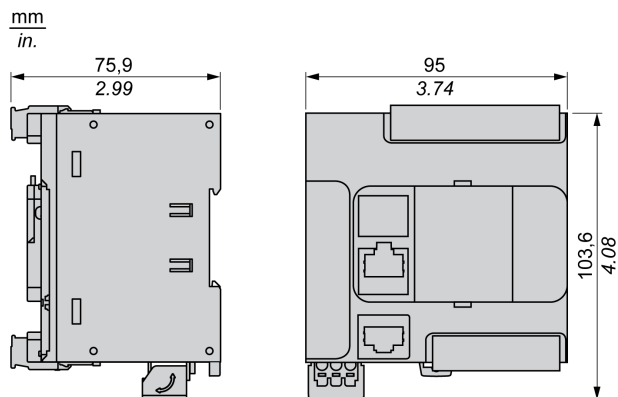
NOTE: For information about the LEDs integrated into the Ethernet connector, refer to Ethernet Status LEDs (see page 378)

(1) For more information about the controller state description, refer to the M221 Logic Controller - Programming Guide (see Modicon M221, Logic Controller, Programming Guide).

(2) The controller detected an error but remains in RUNNING state. The ERR LED on the controller flashes. For more information, refer to M221 Logic Controller - Programming Guide.

Dimensions

The following figure shows the external dimensions of the logic controllers:



Chapter 9

TM221CE16U

TM221CE16U Presentation

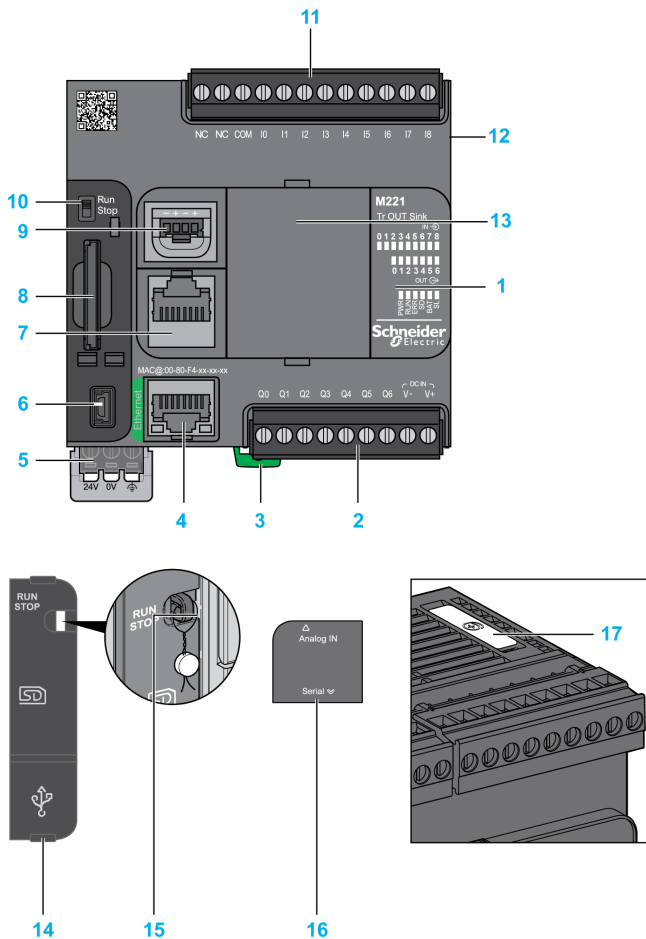
Overview

The following features are integrated into the TM221CE16U logic controller:

- 9 digital inputs
 - 4 fast inputs (HSC)
 - 5 regular inputs
- 7 digital outputs
 - 2 fast sink transistor outputs
 - 5 regular sink transistor outputs
- 2 analog inputs
- Communication ports
 - 1 serial line port
 - 1 USB mini-B programming port
 - 1 Ethernet port

Description

The following figure shows the different components of the logic controllers:

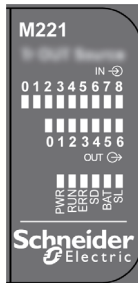


N°	Description	Refer to
1	Status LEDs	–
2	Output removable terminal block	Rules for Removable Screw Terminal Block (see page 104)
3	Clip-on lock for 35 mm (1.38 in.) top hat section rail (DIN-rail)	DIN Rail (see page 93)
4	Ethernet port / RJ45 connector	Ethernet port (see page 376)

N°	Description	Refer to
5	24 Vdc power supply	Power supply (<i>see page 109</i>)
6	USB mini-B programming port / For terminal connection to a programming PC (SoMachine Basic)	USB mini-B programming port (<i>see page 374</i>)
7	Serial line port 1 / RJ45 connector (RS-232 or RS-485)	Serial line 1 (<i>see page 379</i>)
8	SD Card slot	SD Card Slot (<i>see page 72</i>)
9	2 analog inputs	Analog Inputs (<i>see page 249</i>)
10	Run/Stop switch	Run/Stop switch (<i>see page 69</i>)
11	Input removable terminal block	Rules for Removable Screw Terminal Block (<i>see page 104</i>)
12	I/O expansion connector	–
13	Cartridge slot	–
14	Protective cover (SD Card slot, Run/Stop switch and USB mini-B programming port)	–
15	Locking hook	–
16	Removable analog inputs cover	–
17	Battery holder	Installing and Replacing the Battery (<i>see page 55</i>)

Status LEDs

The following figure shows the status LEDs:



The following table describes the status LEDs:

Label	Function Type	Color	Status	Description		
				Controller States ⁽¹⁾	Prg Port Communication	Application Execution
PWR	Power	Green	On	Indicates that power is applied.		
			Off	Indicates that power is removed.		
RUN	Machine Status	Green	On	Indicates that the controller is running a valid application.		
			Flashing	Indicates that the controller has a valid application that is stopped.		
			Off	Indicates that the controller is not programmed.		
ERR	Error	Red	On*	EXCEPTION	Restricted	NO
			Flashing (with RUN status LED Off)	INTERNAL ERROR	Restricted	NO
			Slow flash	Minor error detected ⁽²⁾	Yes	Depends on the RUN status LED
			1 single flash	No application	Yes	Yes
SD	SD Card Access (see page 72)	Green	On	Indicates that the SD card is being accessed.		
			Flashing	Indicates that an error was detected during the SD card operation.		
			Off	Indicates no access (idle) or no card is present.		
BAT	Battery (see page 54)	Red	On	Indicates that the battery needs to be replaced.		
			Flashing	Indicates that the battery charge is low.		
			Off	Indicates that the battery is OK.		
SL	Serial line 1 (see page 379)	Green	On	Indicates the status of Serial line 1.		
			Flashing	Indicates activity on Serial line 1.		
			Off	Indicates no serial communication.		

* ERR LED is also On during booting process.

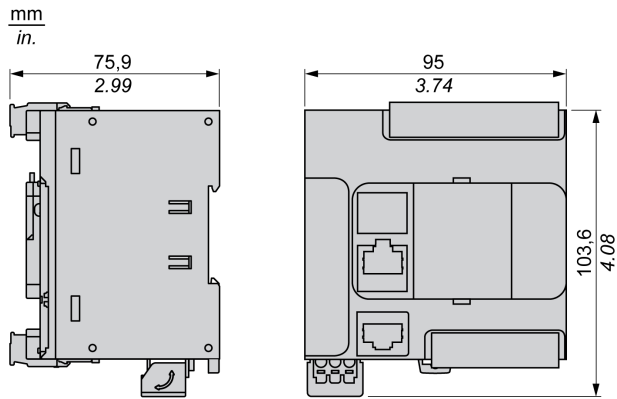
NOTE: For information about the LEDs integrated into the Ethernet connector, refer to Ethernet Status LEDs (see page 378)

(1) For more information about the controller state description, refer to the M221 Logic Controller - Programming Guide (see Modicon M221, Logic Controller, Programming Guide).

(2) The controller detected an error but remains in RUNNING state. The ERR LED on the controller flashes. For more information, refer to M221 Logic Controller - Programming Guide.

Dimensions

The following figure shows the external dimensions of the logic controllers:



Chapter 10

TM221C24R

TM221C24R Presentation

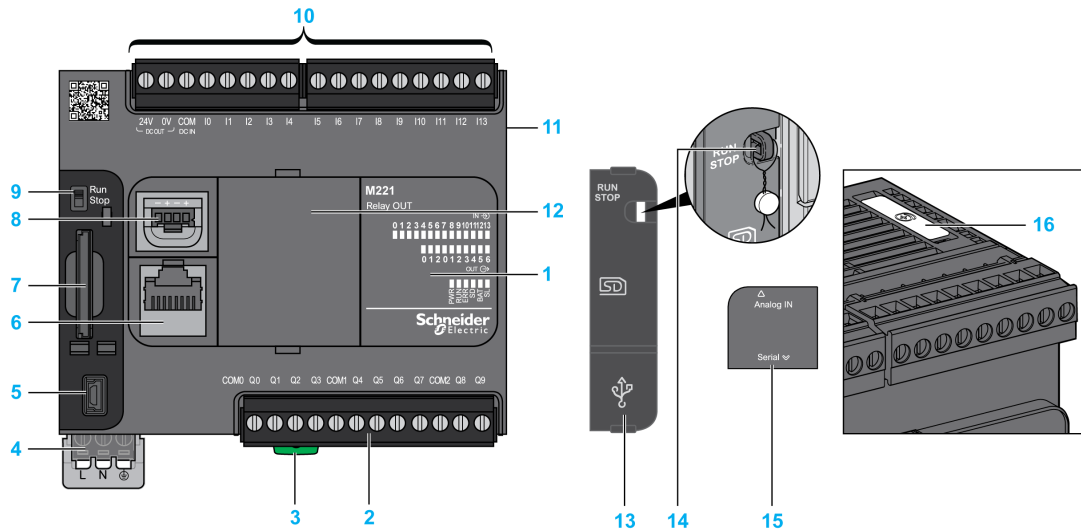
Overview

The following features are integrated into the TM221C24R logic controller:

- 14 digital inputs
 - 4 fast inputs (HSC)
 - 10 regular inputs
- 10 digital outputs
 - 10 relay outputs
- 2 analog inputs
- Communication ports
 - 1 serial line port
 - 1 USB mini-B programming port

Description

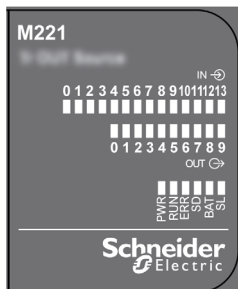
The following figure shows the different components of the logic controller:



N°	Description	Refer to
1	Status LEDs	–
2	Output removable terminal block	Rules for Removable Screw Terminal Block (see page 104)
3	Clip-on lock for 35 mm (1.38 in.) top hat section rail (DIN-rail)	DIN Rail (see page 93)
4	100...240 Vac power supply	Power supply (see page 116)
5	USB mini-B programming port / For terminal connection to a programming PC (SoMachine Basic)	USB mini-B programming port (see page 374)
6	Serial line port 1 / RJ45 connector (RS-232 or RS-485)	Serial line 1 (see page 379)
7	SD Card slot	SD Card Slot (see page 72)
8	2 analog inputs	Analog Inputs (see page 249)
9	Run/Stop switch	Run/Stop switch (see page 69)
10	Input removable terminal block and embedded power supply used for connecting sensors to the inputs. ⁽¹⁾	Rules for Removable Screw Terminal Block (see page 104)
11	I/O expansion connector	–
12	Cartridge slot	–
13	Protective cover (SD Card slot, Run/Stop switch and USB mini-B programming port)	–
14	Locking hook	–
15	Removable analog inputs cover	–
16	Battery holder	Installing and Replacing the Battery (see page 55)
<p>⁽¹⁾ Embedded power supply characteristics:</p> <ul style="list-style-type: none"> ● Voltage: 24 V -15%...+10% isolated ● I_{max}: 250 mA ● No protection and no overload detection <p>Refer to Embedded I/O Channels (see page 215).</p>		

Status LEDs

The following figure shows the status LEDs:



The following table describes the status LEDs:

Label	Function Type	Color	Status	Description		
				Controller States ⁽¹⁾	Prg Port Communication	Application Execution
PWR	Power	Green	On	Indicates that power is applied.		
			Off	Indicates that power is removed.		
RUN	Machine Status	Green	On	Indicates that the controller is running a valid application.		
			Flashing	Indicates that the controller has a valid application that is stopped.		
			Off	Indicates that the controller is not programmed.		
ERR	Error	Red	On*	EXCEPTION	Restricted	NO
			Flashing (with RUN status LED Off)	INTERNAL ERROR	Restricted	NO
			Slow flash	Minor error detected ⁽²⁾	Yes	Depends on the RUN status LED
			1 single flash	No application	Yes	Yes

* ERR LED is also On during booting process.

NOTE: For information about the LEDs integrated into the Ethernet connector, refer to Ethernet Status LEDs ([see page 378](#))

(1) For more information about the controller state description, refer to the M221 Logic Controller - Programming Guide ([see Modicon M221, Logic Controller, Programming Guide](#)).

(2) The controller detected an error but remains in RUNNING state. The ERR LED on the controller flashes. For more information, refer to M221 Logic Controller - Programming Guide.

Label	Function Type	Color	Status	Description		
				Controller States ⁽¹⁾	Prg Port Communication	Application Execution
SD	SD Card Access (see page 72)	Green	On	Indicates that the SD card is being accessed.		
			Flashing	Indicates that an error was detected during the SD card operation.		
			Off	Indicates no access (idle) or no card is present.		
BAT	Battery (see page 54)	Red	On	Indicates that the battery needs to be replaced.		
			Flashing	Indicates that the battery charge is low.		
			Off	Indicates that the battery is OK.		
SL	Serial line 1 (see page 379)	Green	On	Indicates the status of Serial line 1.		
			Flashing	Indicates activity on Serial line 1.		
			Off	Indicates no serial communication.		

* ERR LED is also On during booting process.

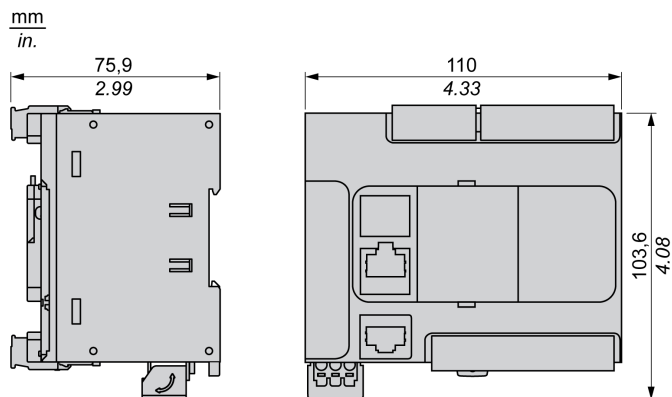
NOTE: For information about the LEDs integrated into the Ethernet connector, refer to Ethernet Status LEDs (see page 378)

(1) For more information about the controller state description, refer to the M221 Logic Controller - Programming Guide (see *Modicon M221, Logic Controller, Programming Guide*).

(2) The controller detected an error but remains in RUNNING state. The ERR LED on the controller flashes. For more information, refer to M221 Logic Controller - Programming Guide.

Dimensions

The following figure shows the external dimensions of the logic controllers:



Chapter 11

TM221CE24R

TM221CE24R Presentation

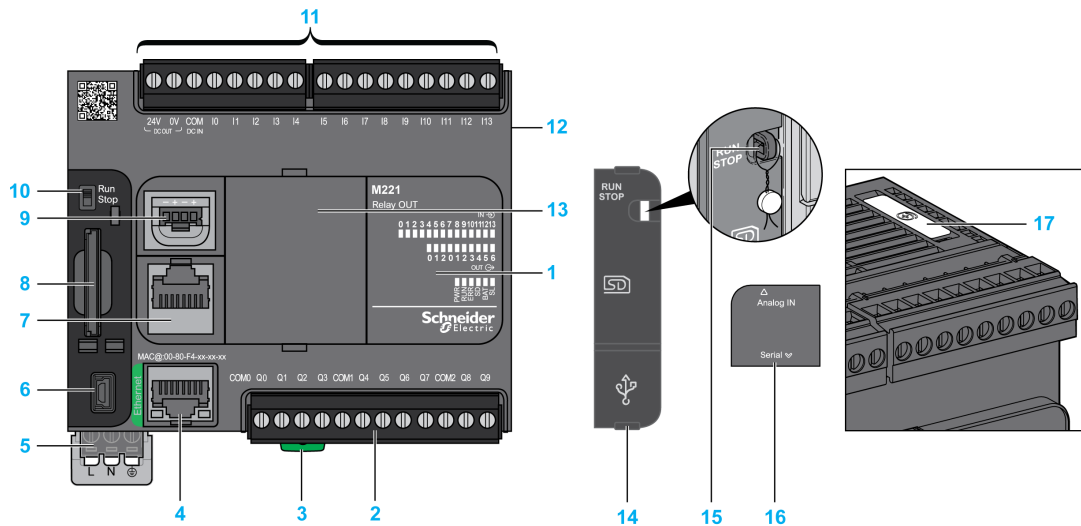
Overview

The following features are integrated into the TM221CE24R logic controller:

- 14 digital inputs
 - 4 fast inputs (HSC)
 - 10 regular inputs
- 10 digital outputs
 - 10 relay outputs
- 2 analog inputs
- Communication ports
 - 1 serial line port
 - 1 USB mini-B programming port
 - 1 Ethernet port

Description

The following figure shows the different components of the logic controllers:



N°	Description	Refer to
1	Status LEDs	–
2	Output removable terminal block	Rules for Removable Screw Terminal Block (see page 104)
3	Clip-on lock for 35 mm (1.38 in.) top hat section rail (DIN-rail)	DIN Rail (see page 93)
4	Ethernet port / RJ45 connector	Ethernet port (see page 376)
5	100...240 Vac power supply	Power supply (see page 116)
6	USB mini-B programming port / For terminal connection to a programming PC (SoMachine Basic)	USB mini-B programming port (see page 374)
7	Serial line port 1 / RJ45 connector (RS-232 or RS-485)	Serial line 1 (see page 379)
8	SD Card slot	SD Card Slot (see page 72)
9	2 analog inputs	Analog Inputs (see page 249)
10	Run/Stop switch	Run/Stop switch (see page 69)
11	Input removable terminal block and embedded power supply used for connecting sensors to the inputs. ⁽¹⁾	Rules for Removable Screw Terminal Block (see page 104)
12	I/O expansion connector	–
13	Cartridge slot	–
14	Protective cover (SD Card slot, Run/Stop switch and USB mini-B programming port)	–
15	Locking hook	–
16	Removable analog inputs cover	–
17	Battery holder	Installing and Replacing the Battery (see page 55)
<p>⁽¹⁾ Embedded power supply characteristics:</p> <ul style="list-style-type: none"> ● Voltage: 24 V -15%...+10% isolated ● I_{max}: 250 mA ● No protection and no overload detection <p>Refer to Embedded I/O Channels (see page 215).</p>		

Status LEDs

The following figure shows the status LEDs:



The following table describes the status LEDs:

Label	Function Type	Color	Status	Description		
				Controller States ⁽¹⁾	Prg Port Communication	Application Execution
PWR	Power	Green	On	Indicates that power is applied.		
			Off	Indicates that power is removed.		
RUN	Machine Status	Green	On	Indicates that the controller is running a valid application.		
			Flashing	Indicates that the controller has a valid application that is stopped.		
			Off	Indicates that the controller is not programmed.		
ERR	Error	Red	On*	EXCEPTION	Restricted	NO
			Flashing (with RUN status LED Off)	INTERNAL ERROR	Restricted	NO
			Slow flash	Minor error detected ⁽²⁾	Yes	Depends on the RUN status LED
			1 single flash	No application	Yes	Yes

* ERR LED is also On during booting process.

NOTE: For information about the LEDs integrated into the Ethernet connector, refer to Ethernet Status LEDs (see page 378)

(1) For more information about the controller state description, refer to the M221 Logic Controller - Programming Guide (see Modicon M221, Logic Controller, Programming Guide).

(2) The controller detected an error but remains in RUNNING state. The ERR LED on the controller flashes. For more information, refer to M221 Logic Controller - Programming Guide.

Label	Function Type	Color	Status	Description		
				Controller States ⁽¹⁾	Prg Port Communication	Application Execution
SD	SD Card Access <i>(see page 72)</i>	Green	On	Indicates that the SD card is being accessed.		
			Flashing	Indicates that an error was detected during the SD card operation.		
			Off	Indicates no access (idle) or no card is present.		
BAT	Battery <i>(see page 54)</i>	Red	On	Indicates that the battery needs to be replaced.		
			Flashing	Indicates that the battery charge is low.		
			Off	Indicates that the battery is OK.		
SL	Serial line 1 <i>(see page 379)</i>	Green	On	Indicates the status of Serial line 1.		
			Flashing	Indicates activity on Serial line 1.		
			Off	Indicates no serial communication.		

* ERR LED is also On during booting process.

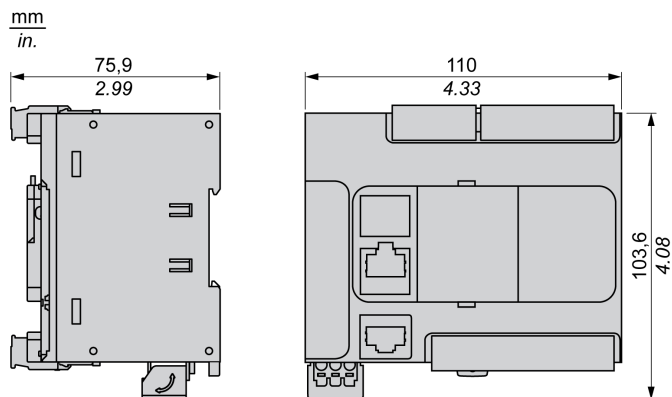
NOTE: For information about the LEDs integrated into the Ethernet connector, refer to Ethernet Status LEDs *(see page 378)*

(1) For more information about the controller state description, refer to the M221 Logic Controller - Programming Guide *(see Modicon M221, Logic Controller, Programming Guide)*.

(2) The controller detected an error but remains in RUNNING state. The ERR LED on the controller flashes. For more information, refer to M221 Logic Controller - Programming Guide.

Dimensions

The following figure shows the external dimensions of the logic controllers:



Chapter 12

TM221C24T

TM221C24T Presentation

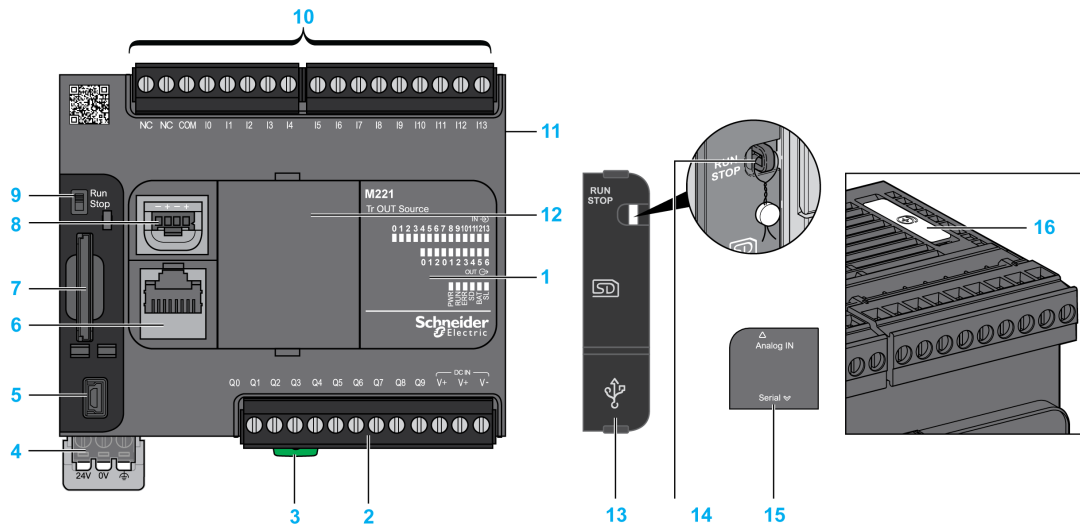
Overview

The following features are integrated into the TM221C24T logic controller:

- 14 digital inputs
 - 4 fast inputs (HSC)
 - 10 regular inputs
- 10 digital outputs
 - 2 fast source transistor outputs
 - 8 regular source transistor outputs
- 2 analog inputs
- Communication ports
 - 1 serial line port
 - 1 USB mini-B programming port

Description

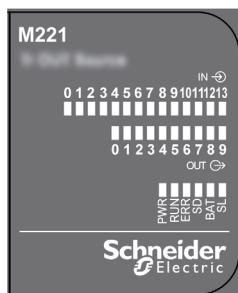
The following figure shows the different components of the logic controllers:



N°	Description	Refer to
1	Status LEDs	–
2	Output removable terminal block	Rules for Removable Screw Terminal Block (see page 104)
3	Clip-on lock for 35 mm (1.38 in.) top hat section rail (DIN-rail)	DIN Rail (see page 93)
4	24 Vdc power supply	Power supply (see page 109)
5	USB mini-B programming port / For terminal connection to a programming PC (SoMachine Basic)	USB mini-B programming port (see page 374)
6	Serial line port 1 / RJ45 connector (RS-232 or RS-485)	Serial line 1 (see page 379)
7	SD Card slot	SD Card Slot (see page 72)
8	2 analog inputs	Analog Inputs (see page 249)
9	Run/Stop switch	Run/Stop switch (see page 69)
10	Input removable terminal block	Rules for Removable Screw Terminal Block (see page 104)
11	I/O expansion connector	–
12	Cartridge slot	–
13	Protective cover (SD Card slot, Run/Stop switch and USB mini-B programming port)	–
14	Locking hook	–
15	Removable analog inputs cover	–
16	Battery holder	Installing and Replacing the Battery (see page 55)

Status LEDs

The following figure shows the status LEDs:

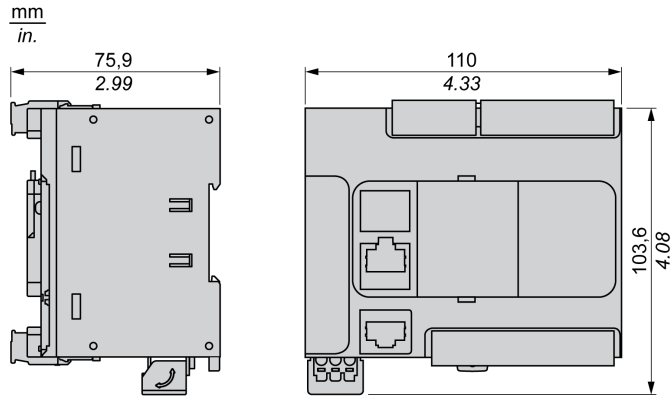


The following table describes the status LEDs:

Label	Function Type	Color	Status	Description		
				Controller States ⁽¹⁾	Prg Port Communication	Application Execution
PWR	Power	Green	On	Indicates that power is applied.		
			Off	Indicates that power is removed.		
RUN	Machine Status	Green	On	Indicates that the controller is running a valid application.		
			Flashing	Indicates that the controller has a valid application that is stopped.		
			Off	Indicates that the controller is not programmed.		
ERR	Error	Red	On*	EXCEPTION	Restricted	NO
			Flashing (with RUN status LED Off)	INTERNAL ERROR	Restricted	NO
			Slow flash	Minor error detected ⁽²⁾	Yes	Depends on the RUN status LED
			1 single flash	No application	Yes	Yes
SD	SD Card Access (see page 72)	Green	On	Indicates that the SD card is being accessed.		
			Flashing	Indicates that an error was detected during the SD card operation.		
			Off	Indicates no access (idle) or no card is present.		
BAT	Battery (see page 54)	Red	On	Indicates that the battery needs to be replaced.		
			Flashing	Indicates that the battery charge is low.		
			Off	Indicates that the battery is OK.		
SL	Serial line 1 (see page 379)	Green	On	Indicates the status of Serial line 1.		
			Flashing	Indicates activity on Serial line 1.		
			Off	Indicates no serial communication.		
* ERR LED is also On during booting process.						
NOTE: For information about the LEDs integrated into the Ethernet connector, refer to Ethernet Status LEDs (see page 378)						
(1) For more information about the controller state description, refer to the M221 Logic Controller - Programming Guide (see Modicon M221, Logic Controller, Programming Guide).						
(2) The controller detected an error but remains in RUNNING state. The ERR LED on the controller flashes. For more information, refer to M221 Logic Controller - Programming Guide.						

Dimensions

The following figure shows the external dimensions of the logic controllers:



Chapter 13

TM221CE24T

TM221CE24T Presentation

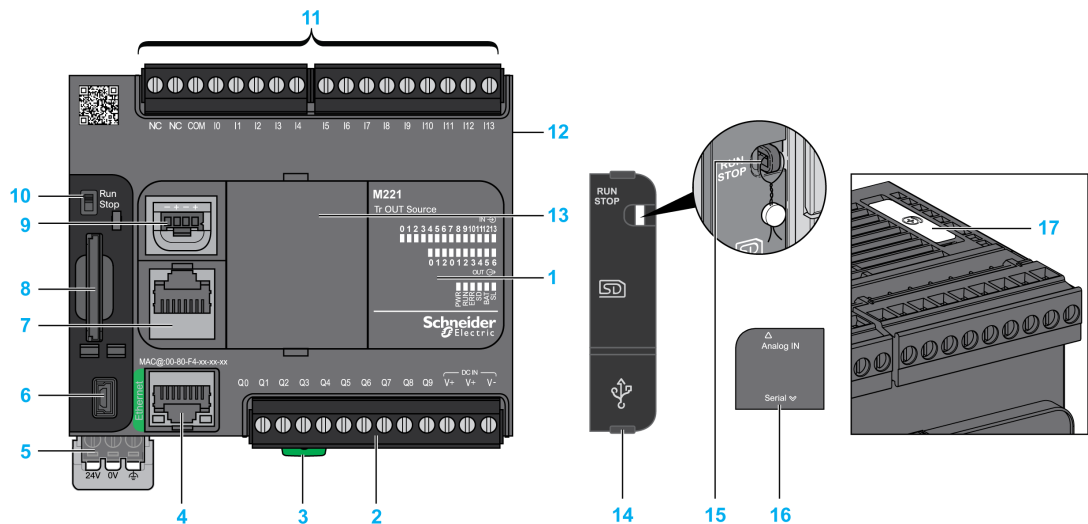
Overview

The following features are integrated into the TM221CE24T logic controller:

- 14 digital inputs
 - 4 fast inputs (HSC)
 - 10 regular inputs
- 10 digital outputs
 - 2 fast source transistor outputs
 - 8 regular source transistor outputs
- 2 analog inputs
- Communication ports
 - 1 serial line port
 - 1 USB mini-B programming port
 - 1 Ethernet port

Description

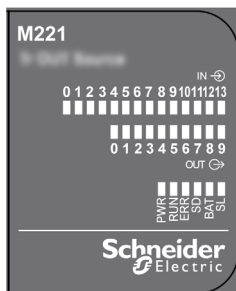
The following figure shows the different components of the logic controllers:



N°	Description	Refer to
1	Status LEDs	–
2	Output removable terminal block	Rules for Removable Screw Terminal Block (see page 104)
3	Clip-on lock for 35 mm (1.38 in.) top hat section rail (DIN-rail)	DIN Rail (see page 93)
4	Ethernet port / RJ45 connector	Ethernet port (see page 376)
5	24 Vdc power supply	Power supply (see page 109)
6	USB mini-B programming port / For terminal connection to a programming PC (SoMachine Basic)	USB mini-B programming port (see page 374)
7	Serial line port 1 / RJ45 connector (RS-232 or RS-485)	Serial line 1 (see page 379)
8	SD Card slot	SD Card Slot (see page 72)
9	2 analog inputs	Analog Inputs (see page 249)
10	Run/Stop switch	Run/Stop switch (see page 69)
11	Input removable terminal block	Rules for Removable Screw Terminal Block (see page 104)
12	I/O expansion connector	–
13	Cartridge slot	–
14	Protective cover (SD Card slot, Run/Stop switch and USB mini-B programming port)	–
15	Locking hook	–
16	Removable analog inputs cover	–
17	Battery holder	Installing and Replacing the Battery (see page 55)

Status LEDs

The following figure shows the status LEDs:

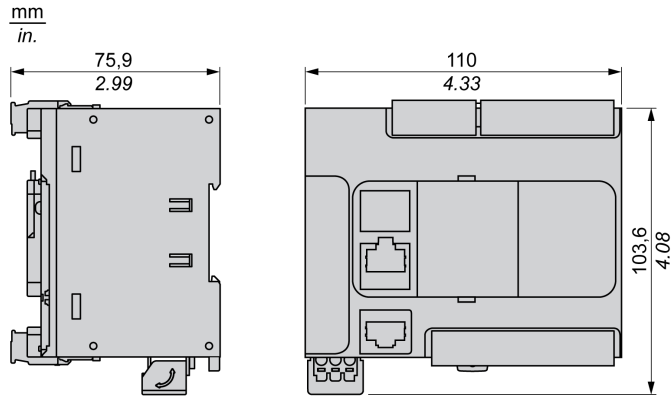


The following table describes the status LEDs:

Label	Function Type	Color	Status	Description		
				Controller States ⁽¹⁾	Prg Port Communication	Application Execution
PWR	Power	Green	On	Indicates that power is applied.		
			Off	Indicates that power is removed.		
RUN	Machine Status	Green	On	Indicates that the controller is running a valid application.		
			Flashing	Indicates that the controller has a valid application that is stopped.		
			Off	Indicates that the controller is not programmed.		
ERR	Error	Red	On*	EXCEPTION	Restricted	NO
			Flashing (with RUN status LED Off)	INTERNAL ERROR	Restricted	NO
			Slow flash	Minor error detected ⁽²⁾	Yes	Depends on the RUN status LED
			1 single flash	No application	Yes	Yes
SD	SD Card Access (see page 72)	Green	On	Indicates that the SD card is being accessed.		
			Flashing	Indicates that an error was detected during the SD card operation.		
			Off	Indicates no access (idle) or no card is present.		
BAT	Battery (see page 54)	Red	On	Indicates that the battery needs to be replaced.		
			Flashing	Indicates that the battery charge is low.		
			Off	Indicates that the battery is OK.		
SL	Serial line 1 (see page 379)	Green	On	Indicates the status of Serial line 1.		
			Flashing	Indicates activity on Serial line 1.		
			Off	Indicates no serial communication.		
* ERR LED is also On during booting process.						
NOTE: For information about the LEDs integrated into the Ethernet connector, refer to Ethernet Status LEDs (see page 378)						
(1) For more information about the controller state description, refer to the M221 Logic Controller - Programming Guide (see <i>Modicon M221, Logic Controller, Programming Guide</i>).						
(2) The controller detected an error but remains in RUNNING state. The ERR LED on the controller flashes. For more information, refer to M221 Logic Controller - Programming Guide.						

Dimensions

The following figure shows the external dimensions of the logic controllers:



Chapter 14

TM221C24U

TM221C24U Presentation

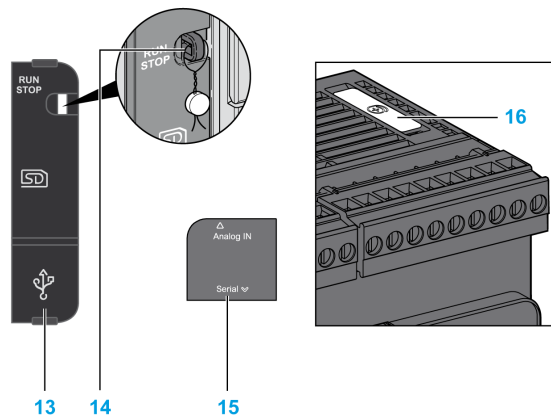
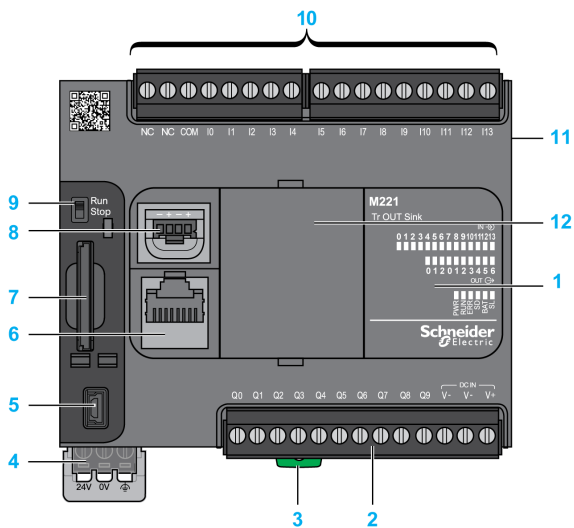
Overview

The following features are integrated into the TM221C24U logic controller:

- 14 digital inputs
 - 4 fast inputs (HSC)
 - 10 regular inputs
- 10 digital outputs
 - 2 fast sink transistor outputs
 - 8 regular sink transistor outputs
- 2 analog inputs
- Communication ports
 - 1 serial line port
 - 1 USB mini-B programming port

Description

The following figure shows the different components of the logic controllers:

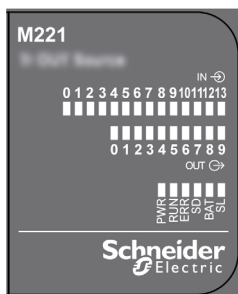


N°	Description	Refer to
1	Status LEDs	–
2	Output removable terminal block	Rules for Removable Screw Terminal Block (see page 104)
3	Clip-on lock for 35 mm (1.38 in.) top hat section rail (DIN-rail)	DIN Rail (see page 93)
4	24 Vdc power supply	Power supply (see page 109)

N°	Description	Refer to
5	USB mini-B programming port / For terminal connection to a programming PC (SoMachine Basic)	USB mini-B programming port (see page 374)
6	Serial line port 1 / RJ45 connector (RS-232 or RS-485)	Serial line 1 (see page 379)
7	SD Card slot	SD Card Slot (see page 72)
8	2 analog inputs	Analog Inputs (see page 249)
9	Run/Stop switch	Run/Stop switch (see page 69)
10	Input removable terminal block	Rules for Removable Screw Terminal Block (see page 104)
11	I/O expansion connector	–
12	Cartridge slot	–
13	Protective cover (SD Card slot, Run/Stop switch and USB mini-B programming port)	–
14	Locking hook	–
15	Removable analog inputs cover	–
16	Battery holder	Installing and Replacing the Battery (see page 55)

Status LEDs

The following figure shows the status LEDs:



The following table describes the status LEDs:

Label	Function Type	Color	Status	Description		
				Controller States ⁽¹⁾	Prg Port Communication	Application Execution
PWR	Power	Green	On	Indicates that power is applied.		
			Off	Indicates that power is removed.		
RUN	Machine Status	Green	On	Indicates that the controller is running a valid application.		
			Flashing	Indicates that the controller has a valid application that is stopped.		
			Off	Indicates that the controller is not programmed.		
ERR	Error	Red	On*	EXCEPTION	Restricted	NO
			Flashing (with RUN status LED Off)	INTERNAL ERROR	Restricted	NO
			Slow flash	Minor error detected ⁽²⁾	Yes	Depends on the RUN status LED
			1 single flash	No application	Yes	Yes
SD	SD Card Access (see page 72)	Green	On	Indicates that the SD card is being accessed.		
			Flashing	Indicates that an error was detected during the SD card operation.		
			Off	Indicates no access (idle) or no card is present.		
BAT	Battery (see page 54)	Red	On	Indicates that the battery needs to be replaced.		
			Flashing	Indicates that the battery charge is low.		
			Off	Indicates that the battery is OK.		
SL	Serial line 1 (see page 379)	Green	On	Indicates the status of Serial line 1.		
			Flashing	Indicates activity on Serial line 1.		
			Off	Indicates no serial communication.		

* ERR LED is also On during booting process.

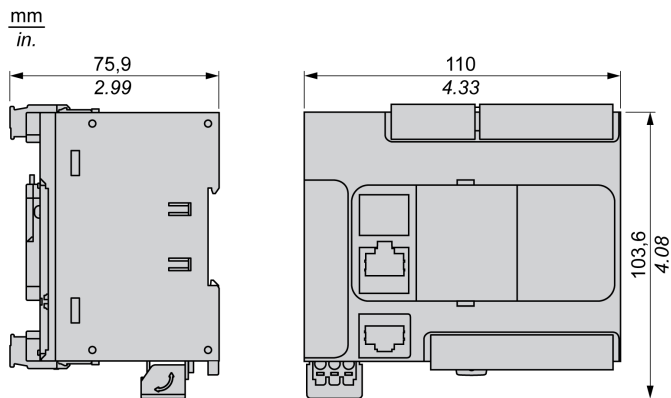
NOTE: For information about the LEDs integrated into the Ethernet connector, refer to Ethernet Status LEDs (see page 378)

(1) For more information about the controller state description, refer to the M221 Logic Controller - Programming Guide (see *Modicon M221, Logic Controller, Programming Guide*).

(2) The controller detected an error but remains in RUNNING state. The ERR LED on the controller flashes. For more information, refer to M221 Logic Controller - Programming Guide.

Dimensions

The following figure shows the external dimensions of the logic controllers:



Chapter 15

TM221CE24U

TM221CE24U Presentation

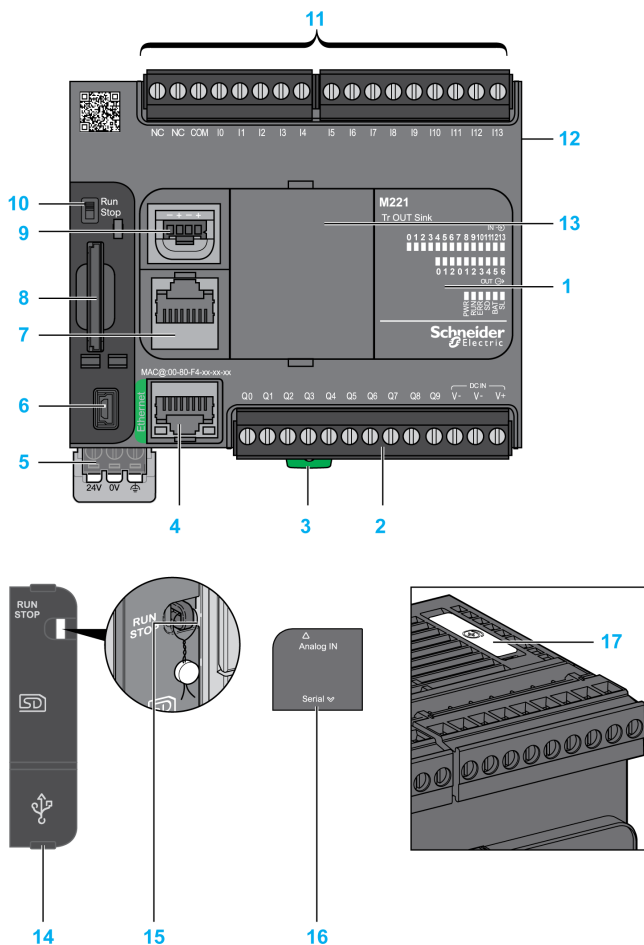
Overview

The following features are integrated into the TM221CE24U logic controller:

- 14 digital inputs
 - 4 fast inputs (HSC)
 - 10 regular inputs
- 10 digital outputs
 - 2 fast sink transistor outputs
 - 8 regular sink transistor outputs
- 2 analog inputs
- Communication ports
 - 1 serial line port
 - 1 USB mini-B programming port
 - 1 Ethernet port

Description

The following figure shows the different components of the logic controllers:

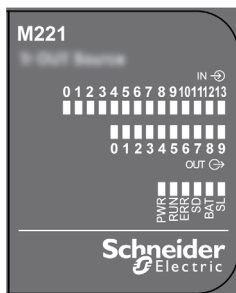


N°	Description	Refer to
1	Status LEDs	–
2	Output removable terminal block	Rules for Removable Screw Terminal Block (see page 104)
3	Clip-on lock for 35 mm (1.38 in.) top hat section rail (DIN-rail)	DIN Rail (see page 93)
4	Ethernet port / RJ45 connector	Ethernet port (see page 376)
5	24 Vdc power supply	Power supply (see page 109)

N°	Description	Refer to
6	USB mini-B programming port / For terminal connection to a programming PC (SoMachine Basic)	USB mini-B programming port (see page 374)
7	Serial line port 1 / RJ45 connector (RS-232 or RS-485)	Serial line 1 (see page 379)
8	SD Card slot	SD Card Slot (see page 72)
9	2 analog inputs	Analog Inputs (see page 249)
10	Run/Stop switch	Run/Stop switch (see page 69)
11	Input removable terminal block	Rules for Removable Screw Terminal Block (see page 104)
12	I/O expansion connector	–
13	Cartridge slot	–
14	Protective cover (SD Card slot, Run/Stop switch and USB mini-B programming port)	–
15	Locking hook	–
16	Removable analog inputs cover	–
17	Battery holder	Installing and Replacing the Battery (see page 55)

Status LEDs

The following figure shows the status LEDs:



The following table describes the status LEDs:

Label	Function Type	Color	Status	Description		
				Controller States ⁽¹⁾	Prg Port Communication	Application Execution
PWR	Power	Green	On	Indicates that power is applied.		
			Off	Indicates that power is removed.		
RUN	Machine Status	Green	On	Indicates that the controller is running a valid application.		
			Flashing	Indicates that the controller has a valid application that is stopped.		
			Off	Indicates that the controller is not programmed.		
ERR	Error	Red	On*	EXCEPTION	Restricted	NO
			Flashing (with RUN status LED Off)	INTERNAL ERROR	Restricted	NO
			Slow flash	Minor error detected ⁽²⁾	Yes	Depends on the RUN status LED
			1 single flash	No application	Yes	Yes
SD	SD Card Access (see page 72)	Green	On	Indicates that the SD card is being accessed.		
			Flashing	Indicates that an error was detected during the SD card operation.		
			Off	Indicates no access (idle) or no card is present.		
BAT	Battery (see page 54)	Red	On	Indicates that the battery needs to be replaced.		
			Flashing	Indicates that the battery charge is low.		
			Off	Indicates that the battery is OK.		
SL	Serial line 1 (see page 379)	Green	On	Indicates the status of Serial line 1.		
			Flashing	Indicates activity on Serial line 1.		
			Off	Indicates no serial communication.		

* ERR LED is also On during booting process.

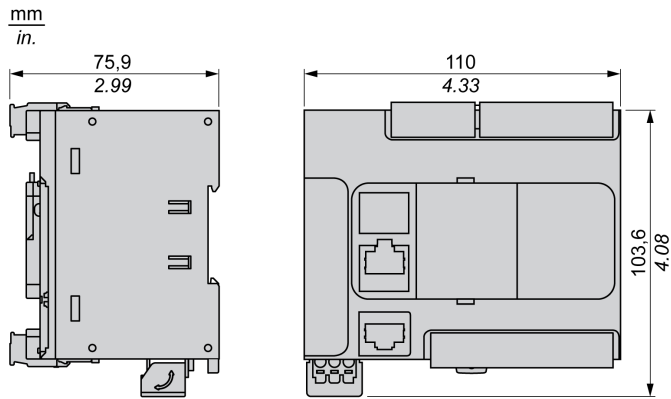
NOTE: For information about the LEDs integrated into the Ethernet connector, refer to Ethernet Status LEDs (see page 378)

(1) For more information about the controller state description, refer to the M221 Logic Controller - Programming Guide (see Modicon M221, Logic Controller, Programming Guide).

(2) The controller detected an error but remains in RUNNING state. The ERR LED on the controller flashes. For more information, refer to M221 Logic Controller - Programming Guide.

Dimensions

The following figure shows the external dimensions of the logic controllers:



Chapter 16

TM221C40R

TM221C40R Presentation

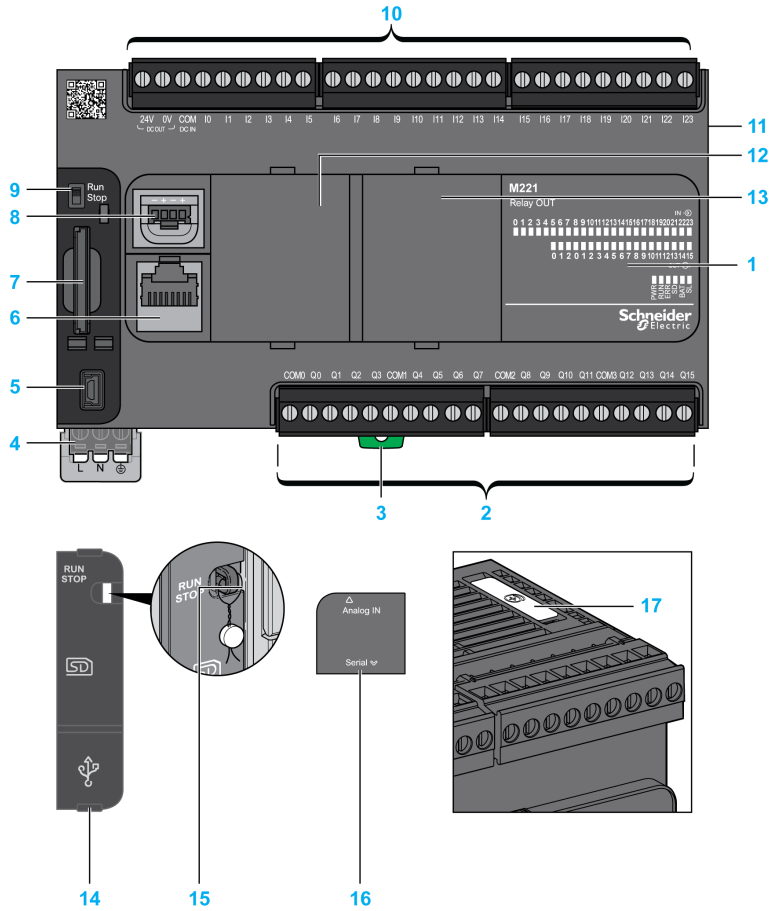
Overview

The following features are integrated into the TM221C40R logic controllers:

- 24 digital inputs
 - 4 fast inputs (HSC)
 - 20 regular inputs
- 16 digital outputs
 - 16 relay outputs
- 2 analog inputs
- Communication ports
 - 1 serial line port
 - 1 USB mini-B programming port

Description

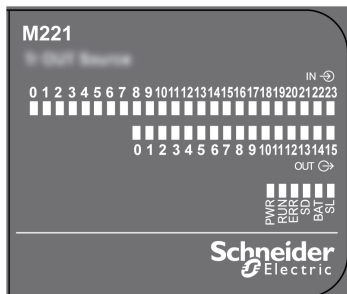
The following figure shows the different components of the logic controllers:



N°	Description	Refer to
1	Status LEDs	–
2	Output removable terminal block	Rules for Removable Screw Terminal Block (see page 104)
3	Clip-on lock for 35 mm (1.38 in.) top hat section rail (DIN-rail)	DIN Rail (see page 93)
4	100...240 Vac power supply	Power supply (see page 116)
5	USB mini-B programming port / For terminal connection to a programming PC (SoMachine Basic)	USB mini-B programming port (see page 374)
6	Serial line port 1 / RJ45 connector (RS-232 or RS-485)	Serial line 1 (see page 379)
7	SD Card slot	SD Card Slot (see page 72)
8	2 analog inputs	Analog Inputs (see page 249)
9	Run/Stop switch	Run/Stop switch (see page 69)
10	Input removable terminal block and embedded power supply used for connecting sensors to the inputs. ⁽¹⁾	Rules for Removable Screw Terminal Block (see page 104)
11	I/O expansion connector	–
12	Cartridge slot 1	–
13	Cartridge slot 2	–
14	Protective cover (SD Card slot, Run/Stop switch and USB mini-B programming port)	–
15	Locking hook	–
16	Removable analog inputs cover	–
17	Battery holder	Installing and Replacing the Battery (see page 55)
<p>⁽¹⁾ Embedded power supply characteristics:</p> <ul style="list-style-type: none"> ● Voltage: 24 V -15%...+10% isolated ● I_{max}: 250 mA ● No protection and no overload detection <p>Refer to Embedded I/O Channels (see page 215).</p>		

Status LEDs

The following figure shows the status LEDs:



The following table describes the status LEDs:

Label	Function Type	Color	Status	Description		
				Controller States ⁽¹⁾	Prg Port Communication	Application Execution
PWR	Power	Green	On	Indicates that power is applied.		
			Off	Indicates that power is removed.		
RUN	Machine Status	Green	On	Indicates that the controller is running a valid application.		
			Flashing	Indicates that the controller has a valid application that is stopped.		
			Off	Indicates that the controller is not programmed.		
ERR	Error	Red	On*	EXCEPTION	Restricted	NO
			Flashing (with RUN status LED Off)	INTERNAL ERROR	Restricted	NO
			Slow flash	Minor error detected ⁽²⁾	Yes	Depends on the RUN status LED
			1 single flash	No application	Yes	Yes

* ERR LED is also On during booting process.

NOTE: For information about the LEDs integrated into the Ethernet connector, refer to Ethernet Status LEDs (see page 378)

(1) For more information about the controller state description, refer to the M221 Logic Controller - Programming Guide (see Modicon M221, Logic Controller, Programming Guide).

(2) The controller detected an error but remains in RUNNING state. The ERR LED on the controller flashes. For more information, refer to M221 Logic Controller - Programming Guide.

Label	Function Type	Color	Status	Description		
				Controller States ⁽¹⁾	Prg Port Communication	Application Execution
SD	SD Card Access (see page 72)	Green	On	Indicates that the SD card is being accessed.		
			Flashing	Indicates that an error was detected during the SD card operation.		
			Off	Indicates no access (idle) or no card is present.		
BAT	Battery (see page 54)	Red	On	Indicates that the battery needs to be replaced.		
			Flashing	Indicates that the battery charge is low.		
			Off	Indicates that the battery is OK.		
SL	Serial line 1 (see page 379)	Green	On	Indicates the status of Serial line 1.		
			Flashing	Indicates activity on Serial line 1.		
			Off	Indicates no serial communication.		

* ERR LED is also On during booting process.

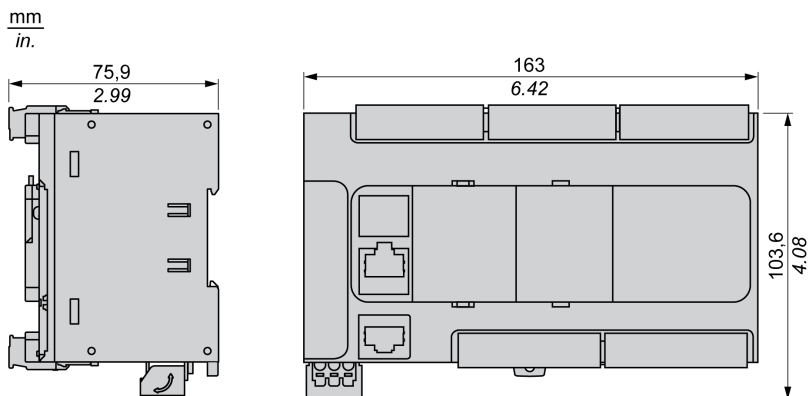
NOTE: For information about the LEDs integrated into the Ethernet connector, refer to Ethernet Status LEDs (see page 378)

(1) For more information about the controller state description, refer to the M221 Logic Controller - Programming Guide (see *Modicon M221, Logic Controller, Programming Guide*).

(2) The controller detected an error but remains in RUNNING state. The ERR LED on the controller flashes. For more information, refer to M221 Logic Controller - Programming Guide.

Dimensions

The following figure shows the external dimensions of the logic controllers:



Chapter 17

TM221CE40R

TM221CE40R Presentation

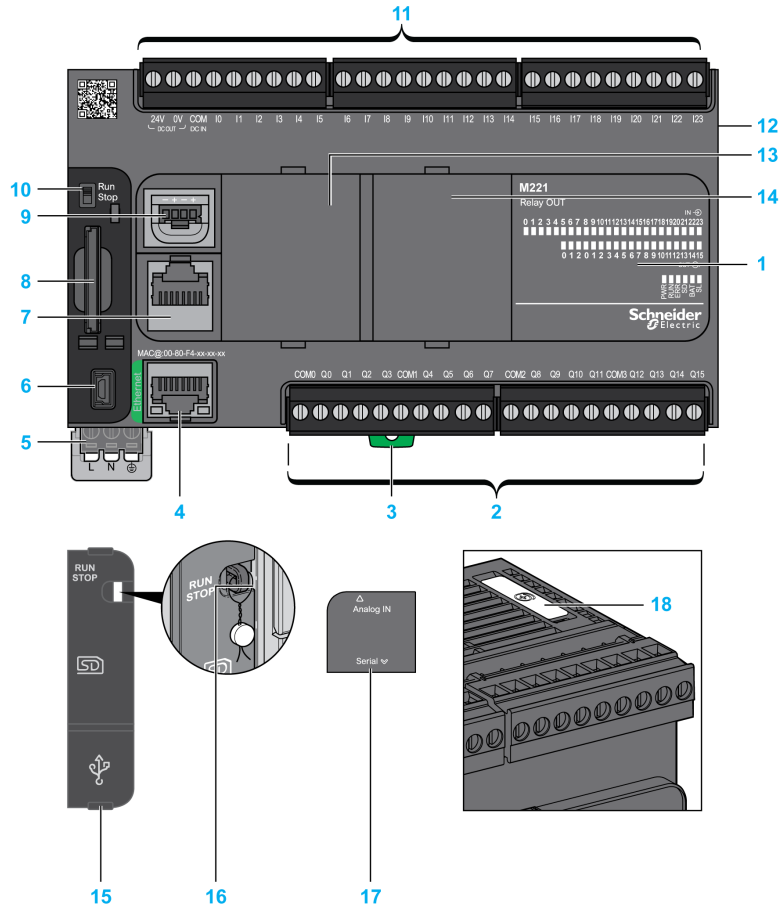
Overview

The following features are integrated into the TM221CE40R logic controllers:

- 24 digital inputs
 - 4 fast inputs (HSC)
 - 20 regular inputs
- 16 digital outputs
 - 16 relay outputs
- 2 analog inputs
- Communication ports
 - 1 serial line port
 - 1 USB mini-B programming port
 - 1 Ethernet port

Description

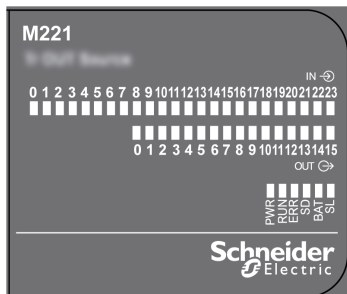
The following figure shows the different components of the logic controllers:



N°	Description	Refer to
1	Status LEDs	–
2	Output removable terminal block	Rules for Removable Screw Terminal Block (see page 104)
3	Clip-on lock for 35 mm (1.38 in.) top hat section rail (DIN-rail)	DIN Rail (see page 93)
4	Ethernet port / RJ45 connector	Ethernet port (see page 376)
5	100...240 Vac power supply	Power supply (see page 116)
6	USB mini-B programming port / For terminal connection to a programming PC (SoMachine Basic)	USB mini-B programming port (see page 374)
7	Serial line port 1 / RJ45 connector (RS-232 or RS-485)	Serial line 1 (see page 379)
8	SD Card slot	SD Card Slot (see page 72)
9	2 analog inputs	Analog Inputs (see page 249)
10	Run/Stop switch	Run/Stop switch (see page 69)
11	Input removable terminal block and embedded power supply used for connecting sensors to the inputs. ⁽¹⁾	Rules for Removable Screw Terminal Block (see page 104)
12	I/O expansion connector	–
13	Cartridge slot 1	–
14	Cartridge slot 2	–
15	Protective cover (SD Card slot, Run/Stop switch and USB mini-B programming port)	–
16	Locking hook	–
17	Removable analog inputs cover	–
18	Battery holder	Installing and Replacing the Battery (see page 55)
<p>⁽¹⁾ Embedded power supply characteristics:</p> <ul style="list-style-type: none"> ● Voltage: 24 V -15%...+10% isolated ● I_{max}: 250 mA ● No protection and no overload detection <p>Refer to Embedded I/O Channels (see page 215).</p>		

Status LEDs

The following figure shows the status LEDs:



The following table describes the status LEDs:

Label	Function Type	Color	Status	Description		
				Controller States ⁽¹⁾	Prg Port Communication	Application Execution
PWR	Power	Green	On	Indicates that power is applied.		
			Off	Indicates that power is removed.		
RUN	Machine Status	Green	On	Indicates that the controller is running a valid application.		
			Flashing	Indicates that the controller has a valid application that is stopped.		
			Off	Indicates that the controller is not programmed.		
ERR	Error	Red	On*	EXCEPTION	Restricted	NO
			Flashing (with RUN status LED Off)	INTERNAL ERROR	Restricted	NO
			Slow flash	Minor error detected ⁽²⁾	Yes	Depends on the RUN status LED
			1 single flash	No application	Yes	Yes

* ERR LED is also On during booting process.

NOTE: For information about the LEDs integrated into the Ethernet connector, refer to Ethernet Status LEDs (see page 378)

(1) For more information about the controller state description, refer to the M221 Logic Controller - Programming Guide (see Modicon M221, Logic Controller, Programming Guide).

(2) The controller detected an error but remains in RUNNING state. The ERR LED on the controller flashes. For more information, refer to M221 Logic Controller - Programming Guide.

Label	Function Type	Color	Status	Description		
				Controller States ⁽¹⁾	Prg Port Communication	Application Execution
SD	SD Card Access (see page 72)	Green	On	Indicates that the SD card is being accessed.		
			Flashing	Indicates that an error was detected during the SD card operation.		
			Off	Indicates no access (idle) or no card is present.		
BAT	Battery (see page 54)	Red	On	Indicates that the battery needs to be replaced.		
			Flashing	Indicates that the battery charge is low.		
			Off	Indicates that the battery is OK.		
SL	Serial line 1 (see page 379)	Green	On	Indicates the status of Serial line 1.		
			Flashing	Indicates activity on Serial line 1.		
			Off	Indicates no serial communication.		

* ERR LED is also On during booting process.

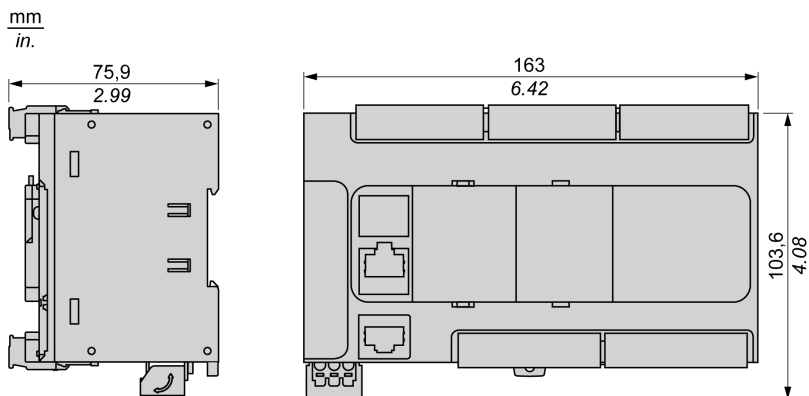
NOTE: For information about the LEDs integrated into the Ethernet connector, refer to Ethernet Status LEDs (see page 378)

(1) For more information about the controller state description, refer to the M221 Logic Controller - Programming Guide (see *Modicon M221, Logic Controller, Programming Guide*).

(2) The controller detected an error but remains in RUNNING state. The ERR LED on the controller flashes. For more information, refer to M221 Logic Controller - Programming Guide.

Dimensions

The following figure shows the external dimensions of the logic controllers:



Chapter 18

TM221C40T

TM221C40T Presentation

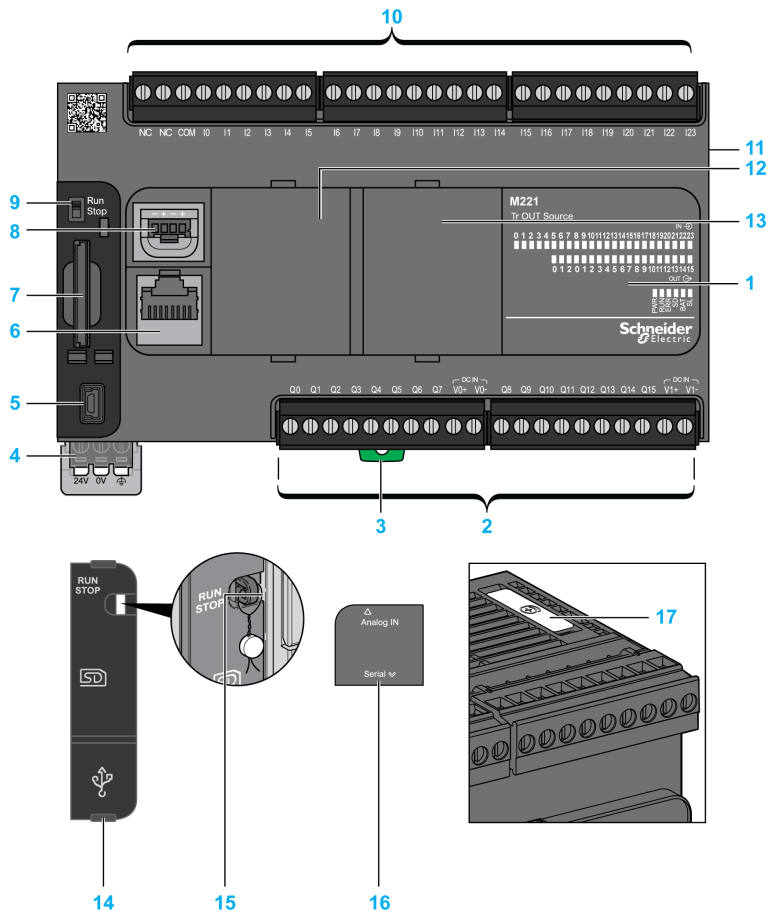
Overview

The following features are integrated into the TM221C40T logic controller:

- 24 digital inputs
 - 4 fast inputs (HSC)
 - 20 regular inputs
- 16 digital outputs
 - 2 fast source transistor outputs
 - 14 regular source transistor outputs
- 2 analog inputs
- Communication ports
 - 1 serial line port
 - 1 USB mini-B programming port

Description

The following figure shows the different components of the logic controllers:

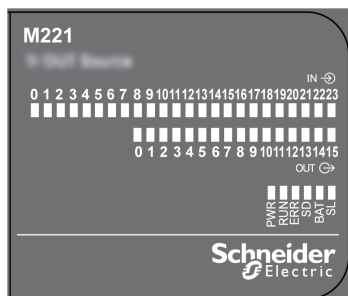


N°	Description	Refer to
1	Status LEDs	–
2	Output removable terminal block	Rules for Removable Screw Terminal Block (see page 104)
3	Clip-on lock for 35 mm (1.38 in.) top hat section rail (DIN-rail)	DIN Rail (see page 93)
4	24 Vdc power supply	Power supply (see page 109)
5	USB mini-B programming port / For terminal connection to a programming PC (SoMachine Basic)	USB mini-B programming port (see page 374)

N°	Description	Refer to
6	Serial line port 1 / RJ45 connector (RS-232 or RS-485)	Serial line 1 (<i>see page 379</i>)
7	SD Card slot	SD Card Slot (<i>see page 72</i>)
8	2 analog inputs	Analog Inputs (<i>see page 249</i>)
9	Run/Stop switch	Run/Stop switch (<i>see page 69</i>)
10	Input removable terminal block	Rules for Removable Screw Terminal Block (<i>see page 104</i>)
11	I/O expansion connector	–
12	Cartridge slot 1	–
13	Cartridge slot 2	–
14	Protective cover (SD Card slot, Run/Stop switch and USB mini-B programming port)	–
15	Locking hook	–
16	Removable analog inputs cover	–
17	Battery holder	Installing and Replacing the Battery (<i>see page 55</i>)

Status LEDs

The following figure shows the status LEDs:



The following table describes the status LEDs:

Label	Function Type	Color	Status	Description		
				Controller States ⁽¹⁾	Prg Port Communication	Application Execution
PWR	Power	Green	On	Indicates that power is applied.		
			Off	Indicates that power is removed.		
RUN	Machine Status	Green	On	Indicates that the controller is running a valid application.		
			Flashing	Indicates that the controller has a valid application that is stopped.		
			Off	Indicates that the controller is not programmed.		
ERR	Error	Red	On*	EXCEPTION	Restricted	NO
			Flashing (with RUN status LED Off)	INTERNAL ERROR	Restricted	NO
			Slow flash	Minor error detected ⁽²⁾	Yes	Depends on the RUN status LED
			1 single flash	No application	Yes	Yes
SD	SD Card Access (see page 72)	Green	On	Indicates that the SD card is being accessed.		
			Flashing	Indicates that an error was detected during the SD card operation.		
			Off	Indicates no access (idle) or no card is present.		
BAT	Battery (see page 54)	Red	On	Indicates that the battery needs to be replaced.		
			Flashing	Indicates that the battery charge is low.		
			Off	Indicates that the battery is OK.		
SL	Serial line 1 (see page 379)	Green	On	Indicates the status of Serial line 1.		
			Flashing	Indicates activity on Serial line 1.		
			Off	Indicates no serial communication.		

* ERR LED is also On during booting process.

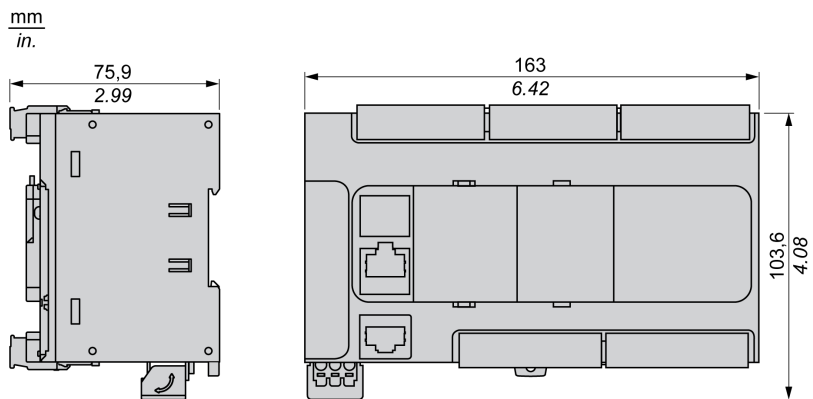
NOTE: For information about the LEDs integrated into the Ethernet connector, refer to Ethernet Status LEDs (see page 378)

(1) For more information about the controller state description, refer to the M221 Logic Controller - Programming Guide (see *Modicon M221, Logic Controller, Programming Guide*).

(2) The controller detected an error but remains in RUNNING state. The ERR LED on the controller flashes. For more information, refer to M221 Logic Controller - Programming Guide.

Dimensions

The following figure shows the external dimensions of the logic controllers:



Chapter 19

TM221CE40T

TM221CE40T Presentation

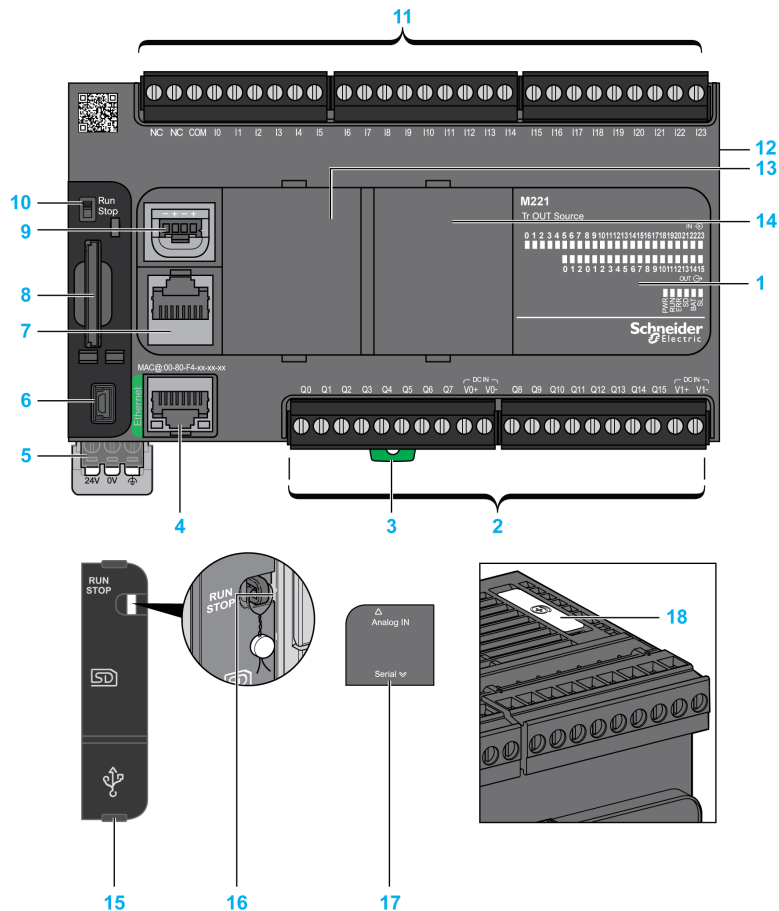
Overview

The following features are integrated into the TM221CE40T logic controllers:

- 24 digital inputs
 - 4 fast inputs (HSC)
 - 20 regular inputs
- 16 digital outputs
 - 2 fast source transistor outputs
 - 14 regular source transistor outputs
- 2 analog inputs
- Communication ports
 - 1 serial line port
 - 1 USB mini-B programming port
 - 1 Ethernet port

Description

The following figure shows the different components of the logic controllers:

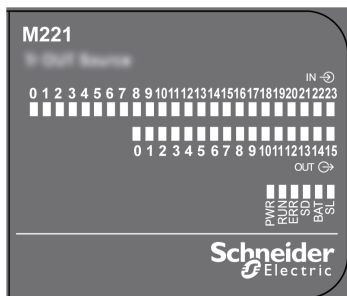


N°	Description	Refer to
1	Status LEDs	–
2	Output removable terminal block	Rules for Removable Screw Terminal Block (see page 104)
3	Clip-on lock for 35 mm (1.38 in.) top hat section rail (DIN-rail)	DIN Rail (see page 93)
4	Ethernet port / RJ45 connector	Ethernet port (see page 376)
5	24 Vdc power supply	Power supply (see page 109)

N°	Description	Refer to
6	USB mini-B programming port / For terminal connection to a programming PC (SoMachine Basic)	USB mini-B programming port (see page 374)
7	Serial line port 1 / RJ45 connector (RS-232 or RS-485)	Serial line 1 (see page 379)
8	SD Card slot	SD Card Slot (see page 72)
9	2 analog inputs	Analog Inputs (see page 249)
10	Run/Stop switch	Run/Stop switch (see page 69)
11	Input removable terminal block	Rules for Removable Screw Terminal Block (see page 104)
12	I/O expansion connector	–
13	Cartridge slot 1	–
14	Cartridge slot 2	–
15	Protective cover (SD Card slot, Run/Stop switch and USB mini-B programming port)	–
16	Locking hook	–
17	Removable analog inputs cover	–
18	Battery holder	Installing and Replacing the Battery (see page 55)

Status LEDs

The following figure shows the status LEDs:



The following table describes the status LEDs:

Label	Function Type	Color	Status	Description		
				Controller States ⁽¹⁾	Prg Port Communication	Application Execution
PWR	Power	Green	On	Indicates that power is applied.		
			Off	Indicates that power is removed.		
RUN	Machine Status	Green	On	Indicates that the controller is running a valid application.		
			Flashing	Indicates that the controller has a valid application that is stopped.		
			Off	Indicates that the controller is not programmed.		
ERR	Error	Red	On*	EXCEPTION	Restricted	NO
			Flashing (with RUN status LED Off)	INTERNAL ERROR	Restricted	NO
			Slow flash	Minor error detected ⁽²⁾	Yes	Depends on the RUN status LED
			1 single flash	No application	Yes	Yes
SD	SD Card Access (see page 72)	Green	On	Indicates that the SD card is being accessed.		
			Flashing	Indicates that an error was detected during the SD card operation.		
			Off	Indicates no access (idle) or no card is present.		
BAT	Battery (see page 54)	Red	On	Indicates that the battery needs to be replaced.		
			Flashing	Indicates that the battery charge is low.		
			Off	Indicates that the battery is OK.		
SL	Serial line 1 (see page 379)	Green	On	Indicates the status of Serial line 1.		
			Flashing	Indicates activity on Serial line 1.		
			Off	Indicates no serial communication.		

* ERR LED is also On during booting process.

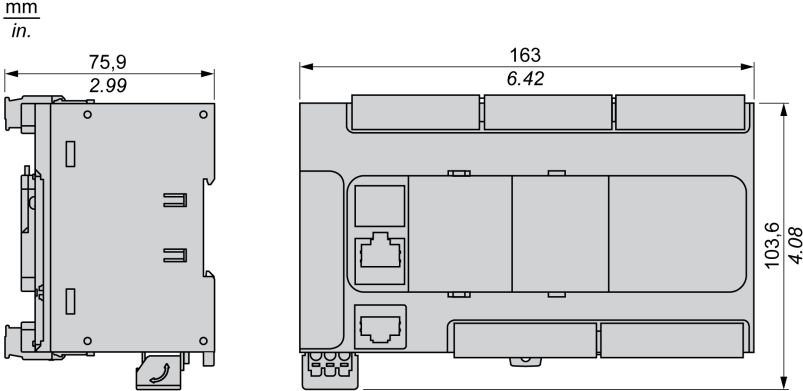
NOTE: For information about the LEDs integrated into the Ethernet connector, refer to Ethernet Status LEDs (see page 378)

(1) For more information about the controller state description, refer to the M221 Logic Controller - Programming Guide (see Modicon M221, Logic Controller, Programming Guide).

(2) The controller detected an error but remains in RUNNING state. The ERR LED on the controller flashes. For more information, refer to M221 Logic Controller - Programming Guide.

Dimensions

The following figure shows the external dimensions of the logic controllers:



Chapter 20

TM221C40U

TM221C40U Presentation

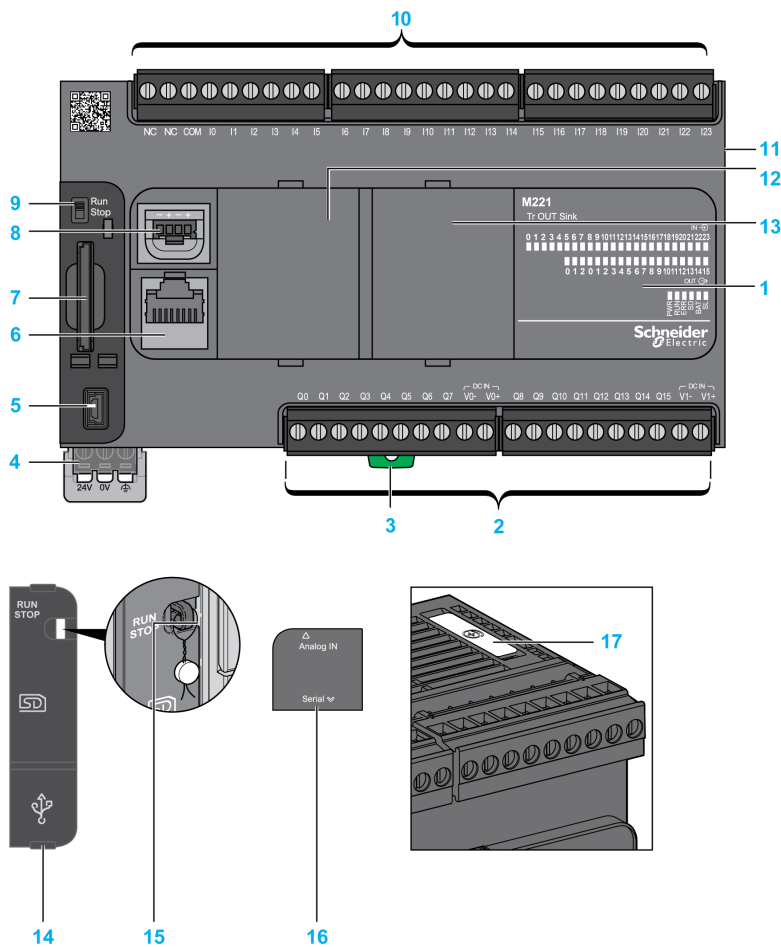
Overview

The following features are integrated into the TM221C40U logic controller:

- 24 digital inputs
 - 4 fast inputs (HSC)
 - 20 regular inputs
- 16 digital outputs
 - 4 fast sink transistor outputs
 - 12 regular sink transistor outputs
- 2 analog inputs
- Communication ports
 - 1 serial line port
 - 1 USB mini-B programming port

Description

The following figure shows the different components of the logic controllers:

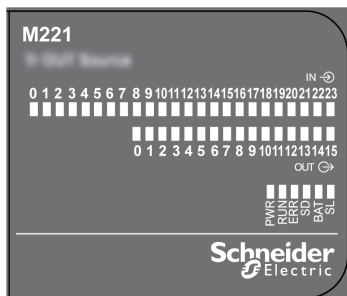


N°	Description	Refer to
1	Status LEDs	—
2	Output removable terminal block	Rules for Removable Screw Terminal Block (see page 104)
3	Clip-on lock for 35 mm (1.38 in.) top hat section rail (DIN-rail)	DIN Rail (see page 93)
4	24 Vdc power supply	Power supply (see page 109)

N°	Description	Refer to
5	USB mini-B programming port / For terminal connection to a programming PC (SoMachine Basic)	USB mini-B programming port (see page 374)
6	Serial line port 1 / RJ45 connector (RS-232 or RS-485)	Serial line 1 (see page 379)
7	SD Card slot	SD Card Slot (see page 72)
8	2 analog inputs	Analog Inputs (see page 249)
9	Run/Stop switch	Run/Stop switch (see page 69)
10	Input removable terminal block	Rules for Removable Screw Terminal Block (see page 104)
11	I/O expansion connector	–
12	Cartridge slot 1	–
13	Cartridge slot 2	–
14	Protective cover (SD Card slot, Run/Stop switch and USB mini-B programming port)	–
15	Locking hook	–
16	Removable analog inputs cover	–
17	Battery holder	Installing and Replacing the Battery (see page 55)

Status LEDs

The following figure shows the status LEDs:

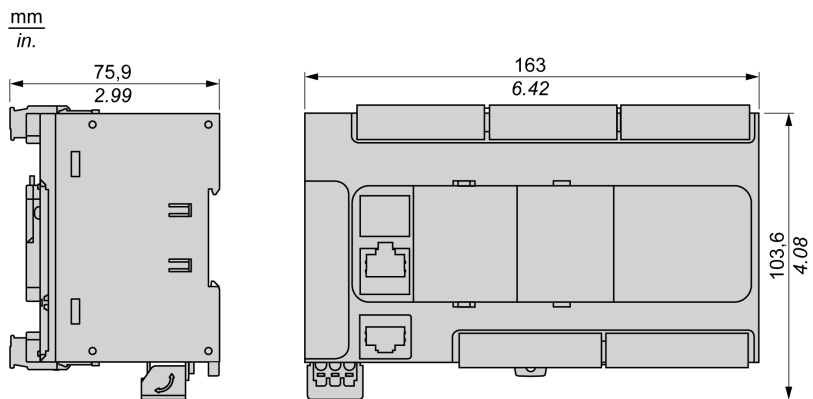


The following table describes the status LEDs:

Label	Function Type	Color	Status	Description		
				Controller States ⁽¹⁾	Prg Port Communication	Application Execution
PWR	Power	Green	On	Indicates that power is applied.		
			Off	Indicates that power is removed.		
RUN	Machine Status	Green	On	Indicates that the controller is running a valid application.		
			Flashing	Indicates that the controller has a valid application that is stopped.		
			Off	Indicates that the controller is not programmed.		
ERR	Error	Red	On*	EXCEPTION	Restricted	NO
			Flashing (with RUN status LED Off)	INTERNAL ERROR	Restricted	NO
			Slow flash	Minor error detected ⁽²⁾	Yes	Depends on the RUN status LED
			1 single flash	No application	Yes	Yes
SD	SD Card Access (see page 72)	Green	On	Indicates that the SD card is being accessed.		
			Flashing	Indicates that an error was detected during the SD card operation.		
			Off	Indicates no access (idle) or no card is present.		
BAT	Battery (see page 54)	Red	On	Indicates that the battery needs to be replaced.		
			Flashing	Indicates that the battery charge is low.		
			Off	Indicates that the battery is OK.		
SL	Serial line 1 (see page 379)	Green	On	Indicates the status of Serial line 1.		
			Flashing	Indicates activity on Serial line 1.		
			Off	Indicates no serial communication.		
<p>* ERR LED is also On during booting process.</p> <p>NOTE: For information about the LEDs integrated into the Ethernet connector, refer to Ethernet Status LEDs (see page 378)</p> <p>(1) For more information about the controller state description, refer to the M221 Logic Controller - Programming Guide (see Modicon M221, Logic Controller, Programming Guide).</p> <p>(2) The controller detected an error but remains in RUNNING state. The ERR LED on the controller flashes. For more information, refer to M221 Logic Controller - Programming Guide.</p>						

Dimensions

The following figure shows the external dimensions of the logic controllers:



Chapter 21

TM221CE40U

TM221CE40U Presentation

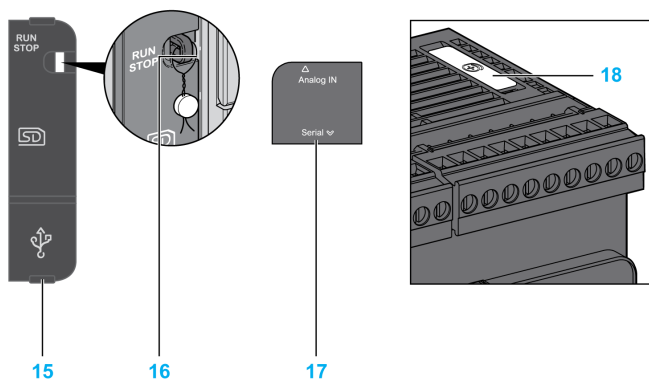
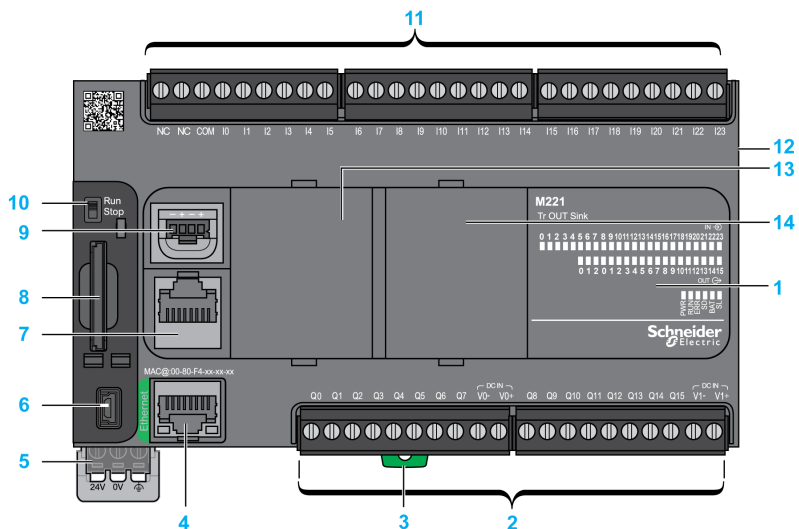
Overview

The following features are integrated into the TM221CE40U logic controller:

- 24 digital inputs
 - 4 fast inputs (HSC)
 - 20 regular inputs
- 16 digital outputs
 - 4 fast sink transistor outputs
 - 12 regular sink transistor outputs
- 2 analog inputs
- Communication ports
 - 1 serial line port
 - 1 USB mini-B programming port
 - 1 Ethernet port

Description

The following figure shows the different components of the logic controllers:

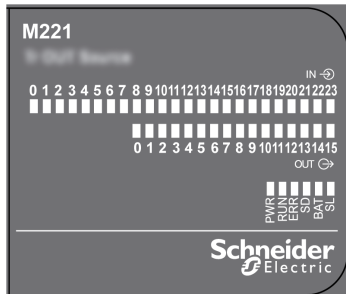


N°	Description	Refer to
1	Status LEDs	—
2	Output removable terminal block	Rules for Removable Screw Terminal Block (see page 104)
3	Clip-on lock for 35 mm (1.38 in.) top hat section rail (DIN-rail)	DIN Rail (see page 93)
4	Ethernet port / RJ45 connector	Ethernet port (see page 376)
5	24 Vdc power supply	Power supply (see page 109)

N°	Description	Refer to
6	USB mini-B programming port / For terminal connection to a programming PC (SoMachine Basic)	USB mini-B programming port (see page 374)
7	Serial line port 1 / RJ45 connector (RS-232 or RS-485)	Serial line 1 (see page 379)
8	SD Card slot	SD Card Slot (see page 72)
9	2 analog inputs	Analog Inputs (see page 249)
10	Run/Stop switch	Run/Stop switch (see page 69)
11	Input removable terminal block	Rules for Removable Screw Terminal Block (see page 104)
12	I/O expansion connector	–
13	Cartridge slot 1	–
14	Cartridge slot 2	–
15	Protective cover (SD Card slot, Run/Stop switch and USB mini-B programming port)	–
16	Locking hook	–
17	Removable analog inputs cover	–
18	Battery holder	Installing and Replacing the Battery (see page 55)

Status LEDs

The following figure shows the status LEDs:



The following table describes the status LEDs:

Label	Function Type	Color	Status	Description		
				Controller States ⁽¹⁾	Prg Port Communication	Application Execution
PWR	Power	Green	On	Indicates that power is applied.		
			Off	Indicates that power is removed.		
RUN	Machine Status	Green	On	Indicates that the controller is running a valid application.		
			Flashing	Indicates that the controller has a valid application that is stopped.		
			Off	Indicates that the controller is not programmed.		
ERR	Error	Red	On*	EXCEPTION	Restricted	NO
			Flashing (with RUN status LED Off)	INTERNAL ERROR	Restricted	NO
			Slow flash	Minor error detected ⁽²⁾	Yes	Depends on the RUN status LED
			1 single flash	No application	Yes	Yes
SD	SD Card Access (see page 72)	Green	On	Indicates that the SD card is being accessed.		
			Flashing	Indicates that an error was detected during the SD card operation.		
			Off	Indicates no access (idle) or no card is present.		
BAT	Battery (see page 54)	Red	On	Indicates that the battery needs to be replaced.		
			Flashing	Indicates that the battery charge is low.		
			Off	Indicates that the battery is OK.		
SL	Serial line 1 (see page 379)	Green	On	Indicates the status of Serial line 1.		
			Flashing	Indicates activity on Serial line 1.		
			Off	Indicates no serial communication.		

* ERR LED is also On during booting process.

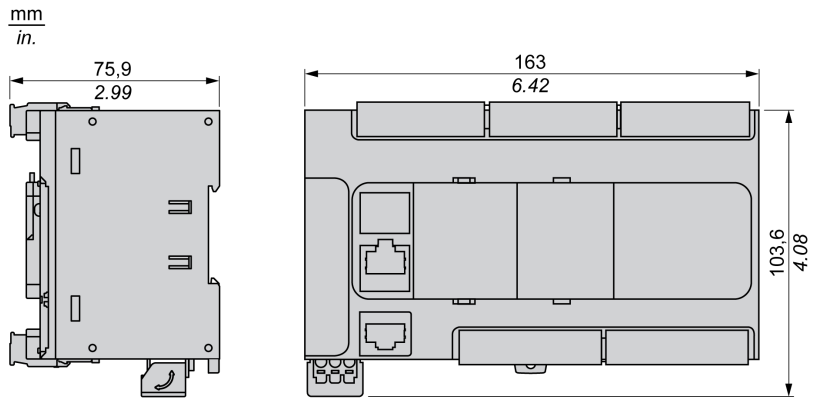
NOTE: For information about the LEDs integrated into the Ethernet connector, refer to Ethernet Status LEDs (see page 378)

(1) For more information about the controller state description, refer to the M221 Logic Controller - Programming Guide (see Modicon M221, Logic Controller, Programming Guide).

(2) The controller detected an error but remains in RUNNING state. The ERR LED on the controller flashes. For more information, refer to M221 Logic Controller - Programming Guide.

Dimensions

The following figure shows the external dimensions of the logic controllers:



Chapter 22

Embedded I/O Channels

Overview

This chapter describes the embedded I/O channels.

What Is in This Chapter?

This chapter contains the following topics:

Topic	Page
Digital Inputs	216
Relay Outputs	232
Regular and Fast Transistor Outputs	240
Analog Inputs	249

Digital Inputs

Overview

The Modicon TM221C Logic Controller has digital inputs embedded:

Reference	Total number of digital inputs	Fast inputs which can be used as 100 kHz HSC inputs	Regular inputs
TM221C16• TM221CE16•	9	4	5
TM221C24• TM221CE24•	14	4	10
TM221C40• TM221CE40•	24	4	20

For more information, refer to Input Management ([see page 61](#)).

DANGER

FIRE HAZARD

- Use only the correct wire sizes for the current capacity of the I/O channels and power supplies.
- For relay output (2 A) wiring, use conductors of at least 0.5 mm² (AWG 20) with a temperature rating of at least 80 °C (176 °F).
- For common conductors of relay output wiring (7 A), or relay output wiring greater than 2 A, use conductors of at least 1.0 mm² (AWG 16) with a temperature rating of at least 80 °C (176 °F).

Failure to follow these instructions will result in death or serious injury.

WARNING

UNINTENDED EQUIPMENT OPERATION

Do not exceed any of the rated values specified in the environmental and electrical characteristics tables.

Failure to follow these instructions can result in death, serious injury, or equipment damage.

Regular Input Characteristics

The following table describes the characteristics of the TM221C Logic Controller regular inputs:

Characteristic		Value		
		TM221C16• TM221CE16•	TM221C24• TM221CE24•	TM221C40• TM221CE40•
Number of regular inputs		5 inputs (I2, I3, I4, I5, I8)	10 inputs (I2...I5, I8...I13)	20 inputs (I2...I5, I8...I23)
Number of channel groups		1 common line for I0...I8	1 common line for I0...I13	1 common line for I0...I23
Input type		Type 1 (IEC/EN 61131-2)		
Logic type		Sink/Source		
Input voltage range		24 Vdc		
Rated input voltage		19.2...28.8 Vdc		
Rated input current		7 mA		
Input impedance		3.4 kΩ		
Input limit values	Voltage at state 1	> 15 Vdc (15...28.8 Vdc)		
	Voltage at state 0	< 5 Vdc (0...5 Vdc)		
	Current at state 1	> 2.5 mA		
	Current at state 0	< 1.0 mA		
Derating		See derating curves (see page 219)		
Turn on time	I2, I3, I4, I5	35 μs + filter value ¹		
	I8...I23	100 μs + filter value ¹		
Turn off time	I2, I3, I4, I5	35 μs + filter value ¹		
	I8...I23	100 μs + filter value ¹		
Isolation	Between input and internal logic	500 Vac		
Connection type		Removable screw terminal blocks		
Connector insertion/removal durability		Over 100 times		
Cable	Type	Unshielded		
	Length	Maximum 30 m (98 ft)		
¹ For more information, refer to Integrator Filter Principle (see page 61)				

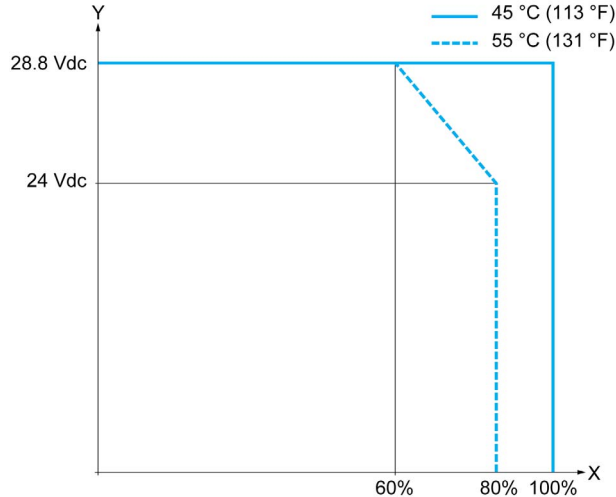
Fast Input Characteristics

The following table describes the characteristics of the TM221C Logic Controller fast inputs:

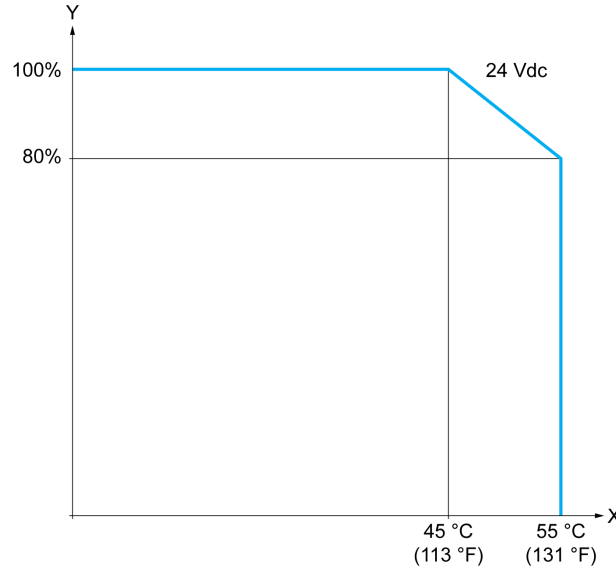
Characteristic		Value
Number of fast inputs		4 inputs (I0, I1, I6, I7)
Number of channel groups		1 common line
Input type		Type 1 (IEC/EN 61131-2)
Logic type		Sink/Source
Rated input voltage		24 Vdc
Input voltage range		19.2...28.8 Vdc
Rated input current		5 mA
Input impedance		4.9 kΩ
Input limit values	Voltage at state 1	> 15 Vdc (15...28.8 Vdc)
	Voltage at state 0	< 5 Vdc (0...5 Vdc)
	Current at state 1	> 2.6 mA
	Current at state 0	< 0.6 mA
Derating		See derating curves (see page 219)
Turn on time		5 μs + filter value ¹
Turn off time		5 μs + filter value ¹
HSC maximum frequency	Dual Phase	100 kHz
	Single phase	100 kHz
	Frequency Meter	100 kHz
Supported HSC operation mode		<ul style="list-style-type: none"> ● Dual Phase [Pulse / Direction] ● Dual Phase [Quadrature X1] ● Dual Phase [Quadrature X2] ● Dual Phase [Quadrature X4] ● Single Phase ● Frequency Meter
Isolation	Between input and internal logic	500 Vac
	Between channel groups	500 Vac
Connection type		Removable screw terminal block
Connector insertion/removal durability		Over 100 times
Cable	Type	Shielded, including the 24 Vdc power supply
	Length	Maximum 10 m (32.8 ft)
¹ For more information, refer to Integrator Filter Principle (see page 61)		

Derating Curves (No Cartridge)

The following figures show the derating curves of the embedded digital inputs for a configuration without cartridge:



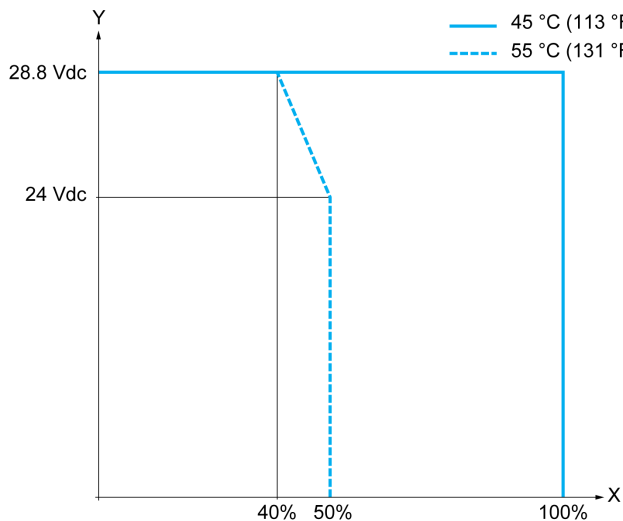
X Input simultaneous ON ratio
Y Input voltage



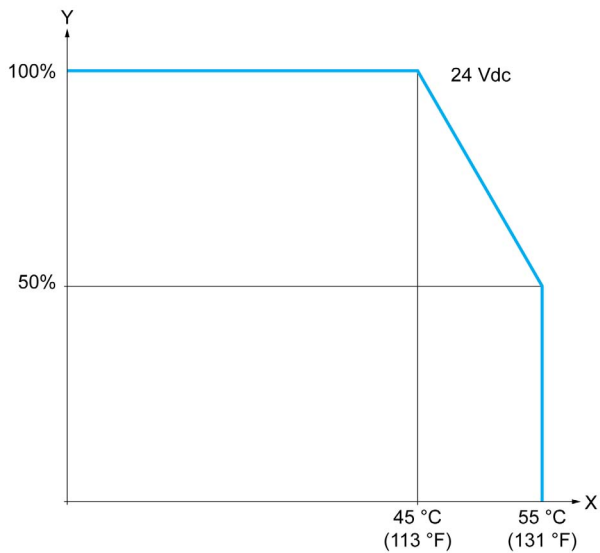
X Ambient temperature
Y Input simultaneous ON ratio

Derating Curves (with Cartridge)

The following figures show the derating curves of the embedded digital inputs for a configuration with cartridge:



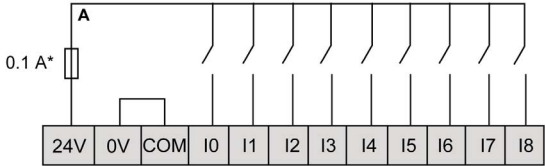
X Input simultaneous ON ratio
Y Input voltage



X Ambient temperature
Y Input simultaneous ON ratio

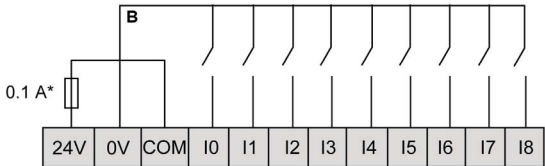
TM221C16R / TM221CE16R Wiring Diagrams

The following figure presents the sink wiring diagram (positive logic) of the inputs to the sensors for TM221C16R and TM221CE16R:



* Type T fuse

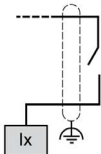
The following figure presents the source wiring diagram (negative logic) of the inputs to the sensors for TM221C16R and TM221CE16R:



* Type T fuse

NOTE: The TM221C Logic Controller provides a 24 Vdc supply to the inputs.

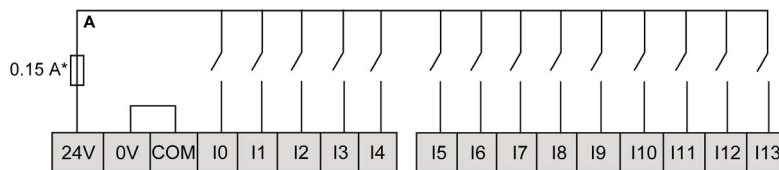
The following figure presents the connection of the fast inputs:



Ix I0, I1, I6, I7

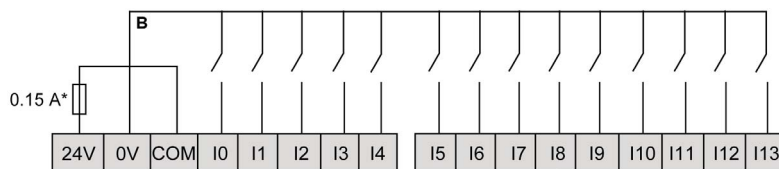
TM221C24R / TM221CE24R Wiring Diagrams

The following figure presents the sink wiring diagram (positive logic) of the inputs to the sensors for TM221C24R and TM221CE24R:



* Type T fuse

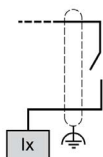
The following figure presents the source wiring diagram (negative logic) of the inputs to the sensors for TM221C24R and TM221CE24R:



* Type T fuse

NOTE: The TM221C Logic Controller provides a 24 Vdc supply to the inputs.

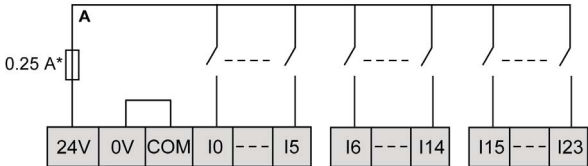
The following figure presents the connection of the fast inputs:



Ix I0, I1, I6, I7

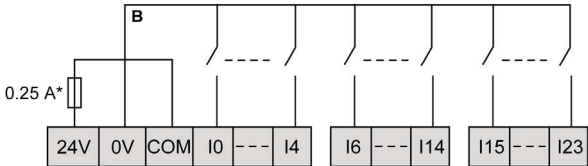
TM221C40R / TM221CE40R Wiring Diagrams

The following figure presents the sink wiring diagram (positive logic) of the inputs to the sensors for TM221C40R and TM221CE40R:



* Type T fuse

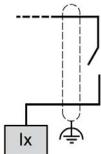
The following figure presents the source wiring diagram (negative logic) of the inputs to the sensors for TM221C40R and TM221CE40R:



* Type T fuse

NOTE: The TM221C Logic Controller provides a 24 Vdc supply to the inputs.

The following figure presents the connection of the fast inputs:



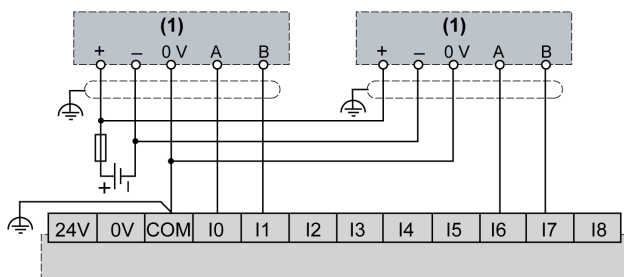
Ix I0, I1, I6, I7

TM221C••R / TM221CE••R Encoder Examples Wiring Diagrams

The following figures show four wiring examples for TM221C••R and TM221CE••R:

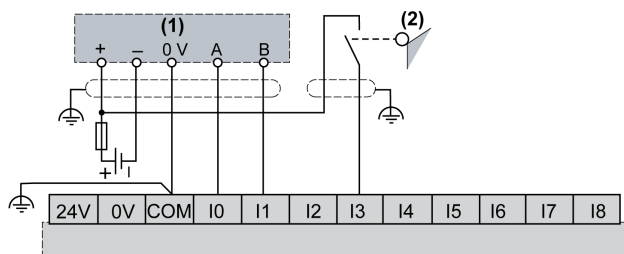
- dual-phase encoder without index
- dual-phase encoder with a limit switch and no index
- dual-phase encoder with index
- dual-phase encoder with index and PNP sensor

TM221C••R / TM221CE••R with a dual-phase encoder without index:



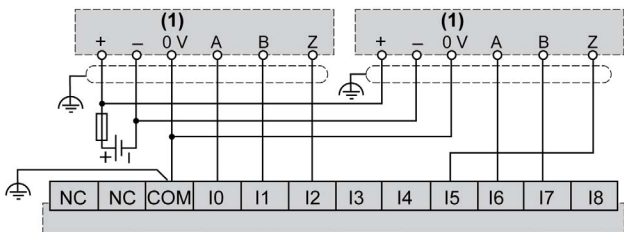
(1) Dual phase encoder without index

TM221C••R / TM221CE••R with a dual-phase encoder with a limit switch and no index:



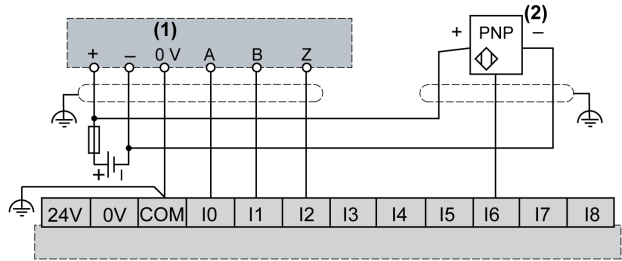
(1) Dual phase encoder without index
(2) Limit switch

TM221C••R / TM221CE••R with a dual-phase encoder with index:



(1) Dual phase encoder with index

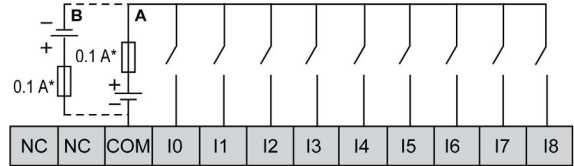
TM221C••R / TM221CE••R with a dual-phase encoder with index and PNP sensor:



- (1) Dual phase encoder with index
- (2) PNP sensor

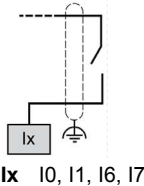
TM221C16T / TM221CE16T Wiring Diagrams

The following figure presents the connection of the inputs to the sensors for TM221C16T and TM221CE16T:



- * Type T fuse
- A** Sink wiring (positive logic).
- B** Source wiring (negative logic).

The following figure presents the connection of the fast inputs:



Ix I0, I1, I6, I7

⚠ WARNING

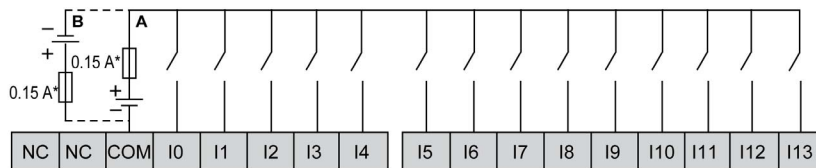
UNINTENDED EQUIPMENT OPERATION

Do not connect wires to unused terminals and/or terminals indicated as “No Connection (N.C.)”.

Failure to follow these instructions can result in death, serious injury, or equipment damage.

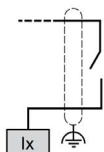
TM221C24T / TM221CE24T Wiring Diagrams

The following figure presents the connection of the inputs to the sensors for TM221C24T and TM221CE24T:



- * Type T fuse
- A** Sink wiring (positive logic).
- B** Source wiring (negative logic).

The following figure presents the connection of the fast inputs:



Ix I0, I1, I6, I7

⚠ WARNING

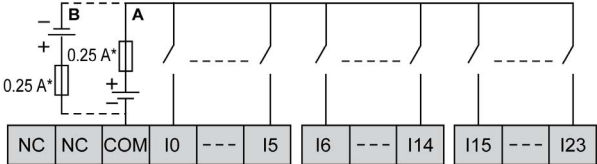
UNINTENDED EQUIPMENT OPERATION

Do not connect wires to unused terminals and/or terminals indicated as “No Connection (N.C.)”.

Failure to follow these instructions can result in death, serious injury, or equipment damage.

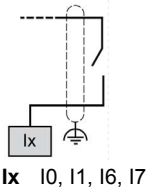
TM221C40T / TM221CE40T Wiring Diagrams

The following figure presents the connection of the inputs to the sensors for TM221C40T and TM221CE40T:



- * Type T fuse
- A Sink wiring (positive logic).
- B Source wiring (negative logic).

The following figure presents the connection of the fast inputs:



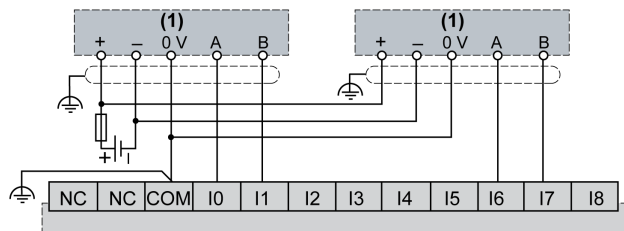
⚠ WARNING
UNINTENDED EQUIPMENT OPERATION
Do not connect wires to unused terminals and/or terminals indicated as “No Connection (N.C.)”.
Failure to follow these instructions can result in death, serious injury, or equipment damage.

TM221C••T / TM221CE••T Encoder Examples Wiring Diagrams

The following figures show four wiring examples for TM221C••T and TM221CE••T:

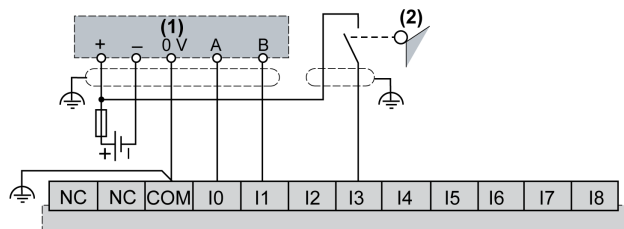
- dual-phase encoder without index
- dual-phase encoder with a limit switch and no index
- dual-phase encoder with index
- dual-phase encoder with index and PNP sensor

TM221C••T / TM221CE••T with a dual-phase encoder without index:



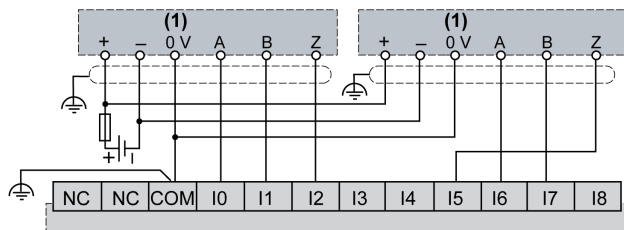
(1) Dual phase encoder without index

TM221C••T / TM221CE••T with a dual-phase encoder with a limit switch and no index:



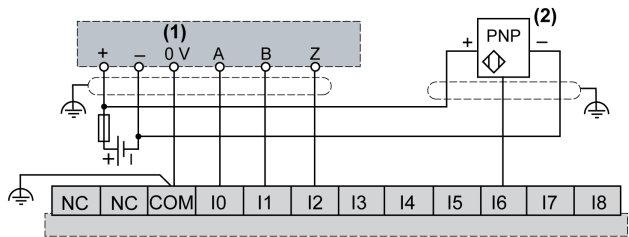
(1) Dual phase encoder without index
(2) Limit switch

TM221C••T / TM221CE••T with a dual-phase encoder with index:



(1) Dual phase encoder with index

TM221C••T / TM221CE••T with a dual-phase encoder with index and PNP sensor:



- (1) Dual phase encoder with index
- (2) PNP sensor

WARNING

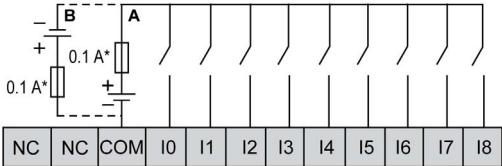
UNINTENDED EQUIPMENT OPERATION

Do not connect wires to unused terminals and/or terminals indicated as “No Connection (N.C.)”.

Failure to follow these instructions can result in death, serious injury, or equipment damage.

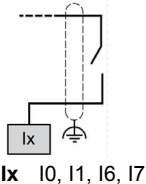
TM221C16U / TM221CE16U Wiring Diagrams

The following figure presents the connection of the inputs to the sensors for TM221C16U and TM221CE16U:



- * Type T fuse
- A** Sink wiring (positive logic).
- B** Source wiring (negative logic).

The following figure presents the connection of the fast inputs:



⚠ WARNING

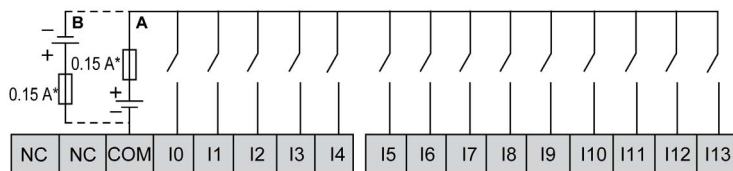
UNINTENDED EQUIPMENT OPERATION

Do not connect wires to unused terminals and/or terminals indicated as “No Connection (N.C.)”.

Failure to follow these instructions can result in death, serious injury, or equipment damage.

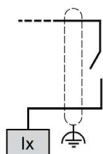
TM221C24U / TM221CE24U Wiring Diagrams

The following figure presents the connection of the inputs to the sensors for TM221C24U and TM221CE24U:



- * Type T fuse
- A** Sink wiring (positive logic).
- B** Source wiring (negative logic).

The following figure presents the connection of the fast inputs:



Ix I0, I1, I6, I7

⚠ WARNING

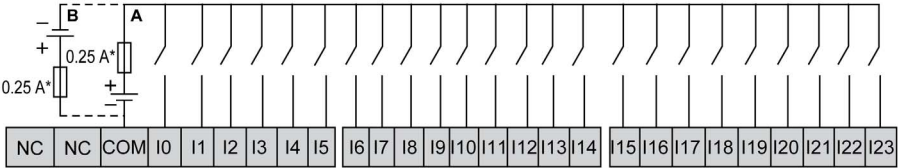
UNINTENDED EQUIPMENT OPERATION

Do not connect wires to unused terminals and/or terminals indicated as “No Connection (N.C.)”.

Failure to follow these instructions can result in death, serious injury, or equipment damage.

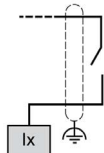
TM221C40U / TM221CE40U Wiring Diagrams

The following figure presents the connection of the inputs to the sensors for TM221C40U and TM221CE40U:



- * Type T fuse
- A** Sink wiring (positive logic).
- B** Source wiring (negative logic).

The following figure presents the connection of the fast inputs:



Ix I0, I1, I6, I7

⚠ WARNING
UNINTENDED EQUIPMENT OPERATION
Do not connect wires to unused terminals and/or terminals indicated as “No Connection (N.C.)”.
Failure to follow these instructions can result in death, serious injury, or equipment damage.

Relay Outputs

Overview

The Modicon TM221C Logic Controller has 7, 10 or 16 relay outputs embedded:

Reference	Number of relay outputs
TM221C16R / TM221CE16R	7
TM221C24R / TM221CE24R	10
TM221C40R / TM221CE40R	16

For more information, refer to Output Management ([see page 65](#)).

DANGER

FIRE HAZARD

- Use only the correct wire sizes for the current capacity of the I/O channels and power supplies.
- For relay output (2 A) wiring, use conductors of at least 0.5 mm² (AWG 20) with a temperature rating of at least 80 °C (176 °F).
- For common conductors of relay output wiring (7 A), or relay output wiring greater than 2 A, use conductors of at least 1.0 mm² (AWG 16) with a temperature rating of at least 80 °C (176 °F).

Failure to follow these instructions will result in death or serious injury.

WARNING

UNINTENDED EQUIPMENT OPERATION

Do not exceed any of the rated values specified in the environmental and electrical characteristics tables.

Failure to follow these instructions can result in death, serious injury, or equipment damage.

Relay Output Characteristics

The following table describes the characteristics of the TM221C Logic Controller with relay outputs:


Characteristic	Value		
	TM221C16R / TM221CE16R	TM221C24R / TM221CE24R	TM221C40R / TM221CE40R
Number of relay outputs	7 outputs	10 outputs	16 outputs
Number of channel groups	1 common line for Q0...Q3 1 common line for Q4...Q6	1 common line for Q0...Q3 1 common line for Q4...Q7 1 common line for Q8, Q9	1 common line for Q0...Q3 1 common line for Q4...Q7 1 common line for Q8...Q11 1 common line for Q12...Q15
Output type	Relay		
Contact type	NO (Normally Open)		
Rated output voltage	24 Vdc, 240 Vac		
Maximum voltage at 2 A	30 Vdc, 264 Vac		
Minimum switching load	5 Vdc at 10 mA		
Rated output current	2 A		
Maximum output current	2 A per output		
	7 A for common 0 (Q0...Q3) 6 A for common 1 (Q4...Q6)	7 A for common 0 (Q0...Q3) 7 A for common 1 (Q4...Q7) 4 A for common 2 (Q8, Q9)	7 A per common
Maximum output frequency with maximum load	20 operations per minute		
Derating	No derating		
Turn on time	Max. 10 ms		
Turn off time	Max. 10 ms		
Contact resistance	30 mΩ max		
Mechanical life	20 million operations		
Electrical life	Under resistive load	See power limitation (see page 235)	
	Under inductive load		

Characteristic		Value		
		TM221C16R / TM221CE16R	TM221C24R / TM221CE24R	TM221C40R / TM221CE40R
Protection against short circuit		No		
Isolation	Between output and internal logic	500 Vac		
	Between channel groups	500 Vac		
Connection type		Removable screw terminal blocks		
Connector insertion/removal durability		Over 100 times		
Cable	Type	Unshielded		
	Length	Max. 30 m (98 ft)		
<p>NOTE: Refer to Protecting Outputs from Inductive Load Damage (see page 106) for additional information concerning output protection.</p>				

Power Limitation

The following table describes the power limitation of the relay outputs depending on the voltage, the type of load, and the number of operations required.

These controllers do not support capacitive loads.

 **WARNING**

RELAY OUTPUTS WELDED CLOSED

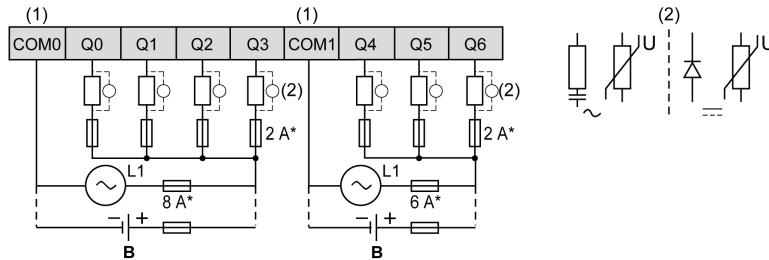
- Always protect relay outputs from inductive alternating current load damage using an appropriate external protective circuit or device.
- Do not connect relay outputs to capacitive loads.

Failure to follow these instructions can result in death, serious injury, or equipment damage.

Power Limitations				
Voltage	24 Vdc	120 Vac	240 Vac	Number of operations
Power of resistive loads AC-12	–	240 VA 80 VA	480 VA 160 VA	100,000 300,000
Power of inductive loads AC-15 (cos ϕ = 0.35)	–	60 VA 18 VA	120 VA 36 VA	100,000 300,000
Power of inductive loads AC-14 (cos ϕ = 0.7)	–	120 VA 36 VA	240 VA 72 VA	100,000 300,000
Power of resistive loads DC-12	48 W 16 W	–	–	100,000 300,000
Power of inductive loads DC-13 L/R = 7 ms	24 W 7.2 W	–	–	100,000 300,000

Relay Outputs Wiring Diagrams - Negative Logic (Sink)

The following figure presents the sink wiring diagram (negative logic) of the outputs to the load for the TM221C16R / TM221CE16R:

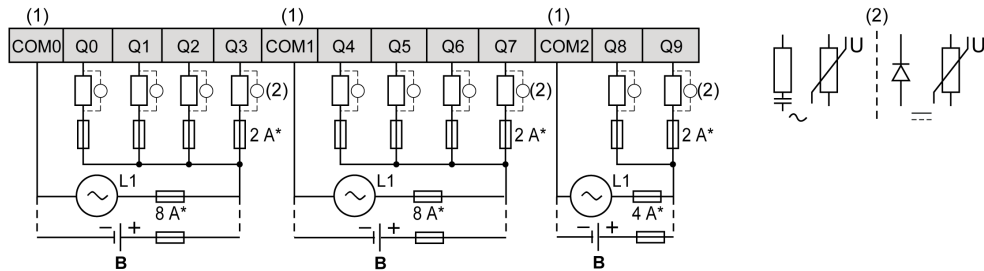


* Type T fuse

- (1) The COM1 and COM2 terminals are **not** connected internally.
- (2) To improve the life time of the contacts, and to protect from potential inductive load damage, you must connect a free wheeling diode in parallel to each inductive DC load or an RC snubber in parallel of each inductive AC load

B Sink wiring (negative logic)

The following figure presents the sink wiring diagram (negative logic) of the outputs to the load for the TM221C24R / TM221CE24R:

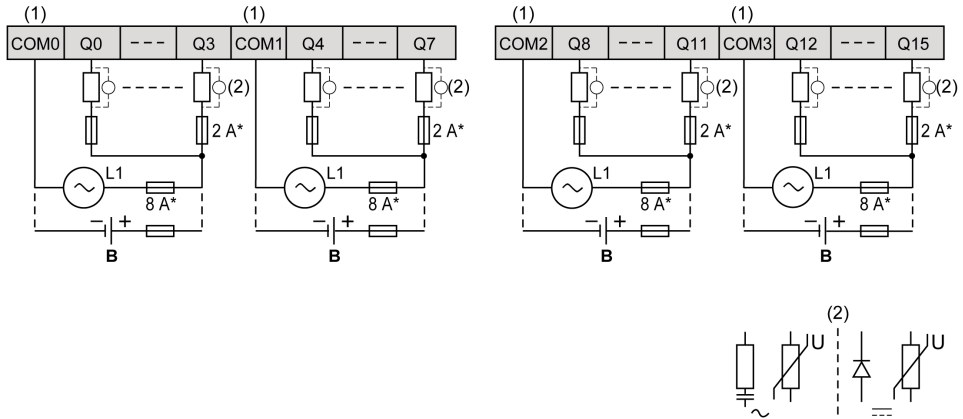


* Type T fuse

- (1) The COM0, COM1 and COM2 terminals are **not** connected internally.
- (2) To improve the life time of the contacts, and to protect from potential inductive load damage, you must connect a free wheeling diode in parallel to each inductive DC load or an RC snubber in parallel of each inductive AC load

B Sink wiring (negative logic)

The following figure presents the sink wiring diagram (negative logic) of the outputs to the load for the TM221C40R / TM221CE40R:



* Type T fuse

(1) The COM0, COM1, COM2 and COM3 terminals are **not** connected internally.

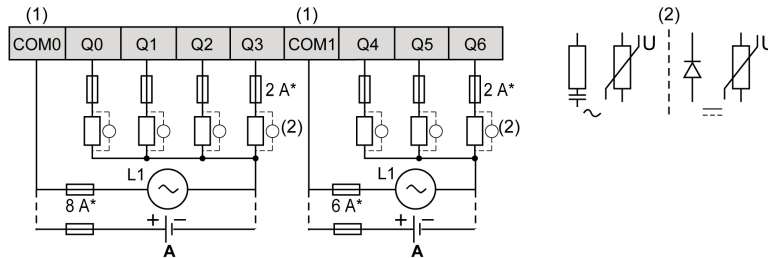
(2) To improve the life time of the contacts, and to protect from potential inductive load damage, you must connect a free wheeling diode in parallel to each inductive DC load or an RC snubber in parallel of each inductive AC load

B Sink wiring (negative logic)

NOTE: The assigned fuse values have been specified for the maximum current characteristics of the controller I/O and associated commons. You may have other considerations that are applicable based on the unique types of input and output devices you connect, and you should size your fuses accordingly.

Relay Outputs Wiring Diagrams - Positive Logic (Source)

The following figure presents the source wiring diagram (positive logic) of the outputs to the load for the TM221C16R / TM221CE16R:

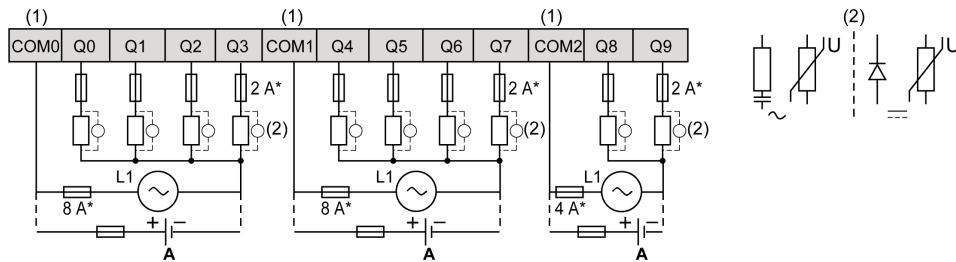


* Type T fuse

- (1) The COM1 and COM2 terminals are **not** connected internally.
- (2) To improve the life time of the contacts, and to protect from potential inductive load damage, you must connect a free wheeling diode in parallel to each inductive DC load or an RC snubber in parallel of each inductive AC load

A Source wiring (positive logic)

The following figure presents the source wiring diagram (positive logic) of the outputs to the load for the TM221C24R / TM221CE24R:

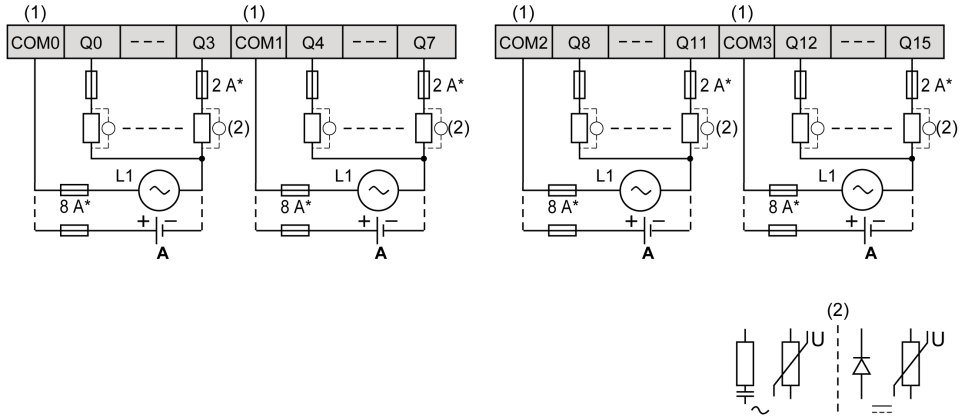


* Type T fuse

- (1) The COM0, COM1 and COM2 terminals are **not** connected internally.
- (2) To improve the life time of the contacts, and to protect from potential inductive load damage, you must connect a free wheeling diode in parallel to each inductive DC load or an RC snubber in parallel of each inductive AC load

A Source wiring (positive logic)

The following figure presents the source wiring diagram (positive logic) of the outputs to the load for the TM221C40R / TM221CE40R:



* Type T fuse

(1) The COM0, COM1, COM2 and COM3 terminals are **not** connected internally.

(2) To improve the life time of the contacts, and to protect from potential inductive load damage, you must connect a free wheeling diode in parallel to each inductive DC load or an RC snubber in parallel of each inductive AC load

A Source wiring (positive logic)

NOTE: The assigned fuse values have been specified for the maximum current characteristics of the controller I/O and associated commons. You may have other considerations that are applicable based on the unique types of input and output devices you connect, and you should size your fuses accordingly.

Regular and Fast Transistor Outputs

Overview

The Modicon TM221C Logic Controller has regular and fast transistor outputs embedded:

Reference	Total number of digital outputs	Transistor outputs	Fast outputs
TM221C16T / TM221CE16T	7	5	2
TM221C16U / TM221CE16U	7	5	2
TM221C24T / TM221CE24T	10	8	2
TM221C24U / TM221CE24U	10	8	2
TM221C40T / TM221CE40T	16	14	2
TM221C40U / TM221CE40U	16	12	4

For more information, refer to Output Management ([see page 65](#)).

DANGER

FIRE HAZARD

- Use only the correct wire sizes for the current capacity of the I/O channels and power supplies.
- For relay output (2 A) wiring, use conductors of at least 0.5 mm² (AWG 20) with a temperature rating of at least 80 °C (176 °F).
- For common conductors of relay output wiring (7 A), or relay output wiring greater than 2 A, use conductors of at least 1.0 mm² (AWG 16) with a temperature rating of at least 80 °C (176 °F).

Failure to follow these instructions will result in death or serious injury.

WARNING

UNINTENDED EQUIPMENT OPERATION

Do not exceed any of the rated values specified in the environmental and electrical characteristics tables.

Failure to follow these instructions can result in death, serious injury, or equipment damage.

Regular Transistor Output Characteristics

The following table describes the characteristics of the TM221C Logic Controller regular transistor outputs:

Characteristic	Value		
	TM221C16T / TM221CE16T / TM221C16U / TM221CE16U	TM221C24T / TM221CE24T / TM221C24U / TM221CE24U	TM221C40T / TM221CE40T / TM221C40U / TM221CE40U
Number of regular outputs	5 outputs (Q2...Q6)	8 outputs (Q2...Q9)	14 outputs (Q2...Q15) (TM221C40T / TM221CE40T) 12 outputs (Q4...Q15) (TM221C40U / TM221CE40U)
Number of channel groups	1 common line for Q0...Q6	1 common line for Q0...Q9	1 common line for Q0...Q7 1 common line for Q8...Q15
Output type	Transistor		
Logic type	Source for TM221•••T Sink for TM221•••U		
Rated output voltage	24 Vdc		
Output voltage range	19.2...28.8 Vdc		
Rated output current	0.5 A		
Total output current	3.5 A for channel group Q0...Q6	5 A for channel group Q0...Q9	4 A for channel group Q0...Q7 4 A for channel group Q8...Q15
Voltage drop	1 Vdc max		
Leakage current when switched off	0.1 mA		
Maximum power of filament lamp	12 W max		
Derating	See derating curves (see page 244)		
Turn on time	Q2, Q3	Max. 50 µs	
	Other regular outputs	Max. 300 µs	
Turn off time	Q2, Q3	Max. 50 µs	
	Other regular outputs	Max. 300 µs	
Protection against short circuit	Yes (TM221C•••T only)		
Short circuit output peak current	1.3 A		
Automatic rearming after short circuit or overload	Yes, every 1 s		

Characteristic		Value		
		TM221C16T / TM221CE16T / TM221C16U / TM221CE16U	TM221C24T / TM221CE24T / TM221C24U / TM221CE24U	TM221C40T / TM221CE40T / TM221C40U / TM221CE40U
Clamping voltage		Max. 39 Vdc ± 1 Vdc		
Switching frequency	Under resistive load	100 Hz max.		
Isolation	Between output and internal logic	500 Vac		
Connection type		Removable screw terminal blocks		
Connector insertion/removal durability		Over 100 times		
Cable	Type	Unshielded		
	Length	Max 30 m (98 ft)		
NOTE: Refer to Protecting Outputs from Inductive Load Damage (see page 106) for additional information concerning output protection.				

Fast Transistor Output Characteristics

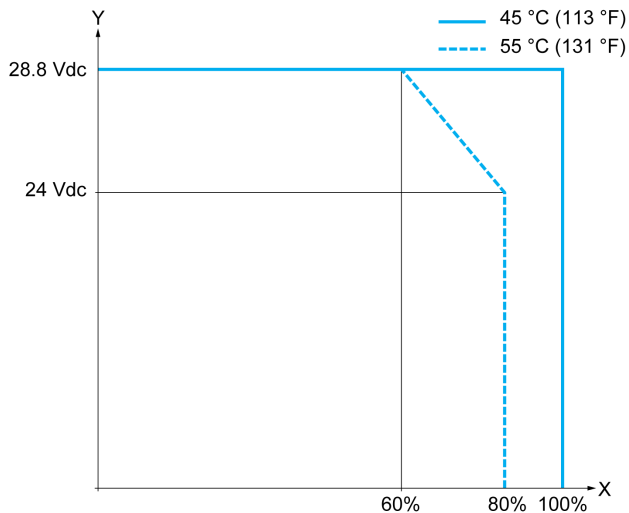
The following table describes the characteristics of the TM221C Logic Controller fast transistor outputs:

Characteristic		Value
Number of fast outputs		2 fast outputs (Q0, Q1) 4 fast outputs (Q0, Q1, Q2 and Q3) for TM221•••40U
Number of channel groups		1 common line
Output type		Transistor
Logic type		Source for TM221•••T Sink for TM221•••U
Rated output voltage		24 Vdc
Output voltage range		19.2...28.8 Vdc
Rated output current		0.5 A
Total output current	TM221C16T / TM221CE16T TM221C16U / TM221CE16U	3.5 A for channel group Q0...Q6
	TM221C24T / TM221CE24T TM221C24U / TM221CE24U	5 A for channel group Q0...Q9
	TM221C40T / TM221CE40T TM221C40U / TM221CE40U	4 A for channel group Q0...Q7 4 A for channel group Q8...Q15

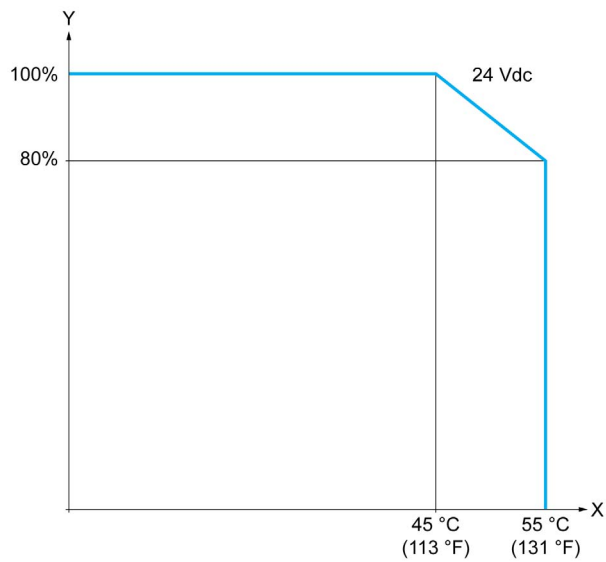
Characteristic		Value
Maximum power of filament lamp		12 W max
Derating		See derating curves (see page 244)
Turn on time (10 mA < output current < 100 mA)		Max. 5 μ s
Turn off time (10 mA < output current < 100 mA)		Max. 5 μ s
Protection against short circuit		Yes (TM221C***T only)
Short circuit output peak current		1.3 A max.
Automatic rearming after short circuit or overload		Yes, every 1 s
Protection against reverse polarity		Yes
Clamping voltage		Typ. 39 Vdc +/- 1 Vdc
Maximum output frequency	PLS/PWM/PTO	100 kHz
Isolation	Between output and internal logic	500 Vac
Connection type		Removable screw terminal blocks
Connector insertion/removal durability		Over 100 times
Cable	Type	Shielded, including 24 Vdc power supply
	Length	Maximum 3 m (9.84 ft)
NOTE: Refer to Protecting Outputs from Inductive Load Damage (see page 106) for additional information concerning output protection.		

Derating Curves (No Cartridge)

The following figures show the derating curves of the embedded digital outputs for a configuration without cartridge:



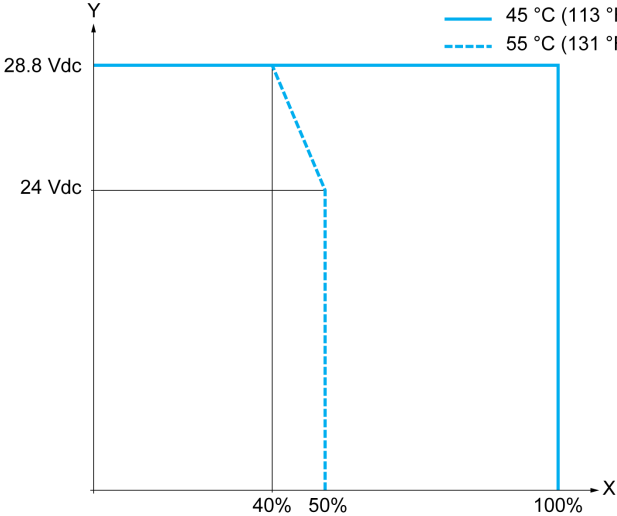
X Output simultaneous ON ratio
Y Output voltage



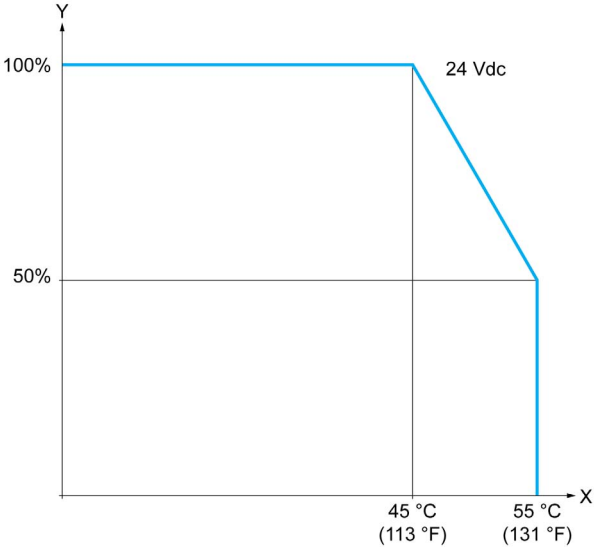
X Ambient temperature
Y Output simultaneous ON ratio

Derating Curves (with Cartridge)

The following figures show the derating curves of the embedded digital outputs for a configuration with cartridge:



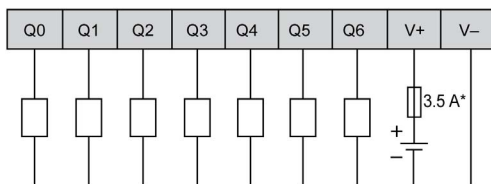
X Output simultaneous ON ratio
Y Output voltage



X Ambient temperature
Y Output simultaneous ON ratio

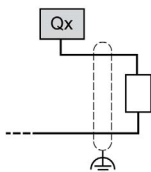
Transistor Outputs Wiring Diagrams

The following figure presents the connection of the outputs to the load for the TM221C16T / TM221CE16T:



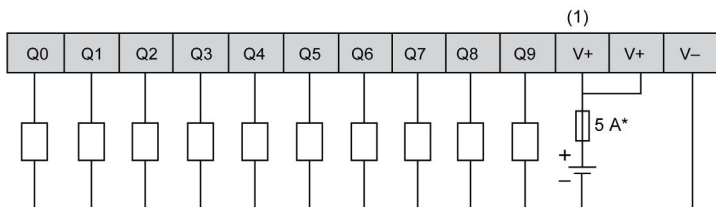
* Type T fuse

The following figure presents the connection of the fast outputs:



Qx Q0, Q1

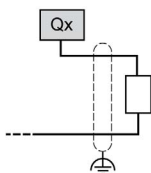
The following figure presents the connection of the outputs to the load for the TM221C24T / TM221CE24T:



* Type T fuse

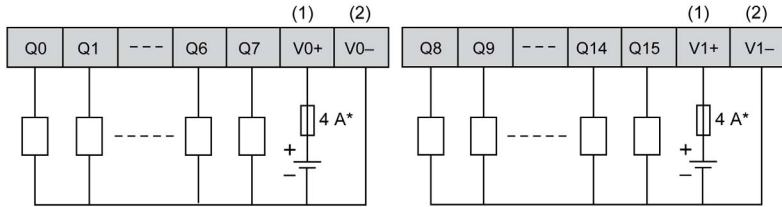
(1) The V+ terminals are connected internally.

The following figure presents the connection of the fast outputs:



Qx Q0, Q1

The following figure presents the connection of the outputs to the load for the TM221C40T / TM221CE40T:

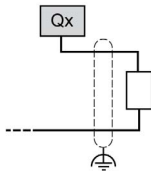


* Type T fuse

(1) The V0+ and V1+ terminals are **not** connected internally.

(2) The V0- and V1- terminals are **not** connected internally.

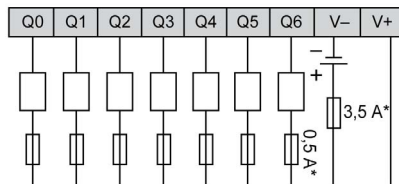
The following figure presents the connection of the fast outputs:



Qx Q0, Q1

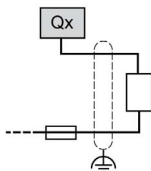
Sink Transistor Outputs Wiring Diagrams

The following figure presents the connection of the outputs to the load for the TM221C16U / TM221CE16U:



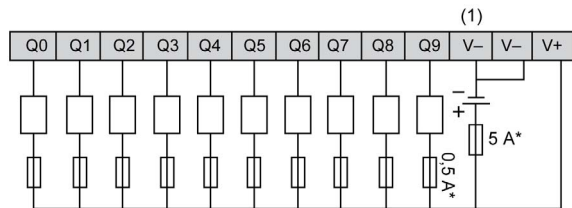
* Type T fuse

The following figure presents the connection of the fast outputs:



Qx Q0, Q1

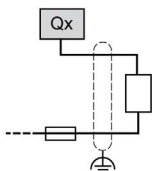
The following figure presents the connection of the outputs to the load for the TM221C24U / TM221CE24U:



* Type T fuse

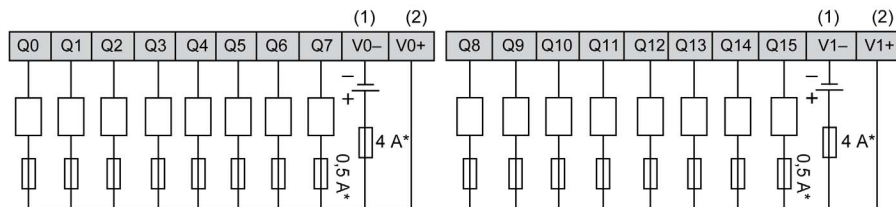
(1) The V+ terminals are connected internally.

The following figure presents the connection of the fast outputs:



Qx Q0, Q1

The following figure presents the connection of the outputs to the load for the TM221C40U / TM221CE40U:

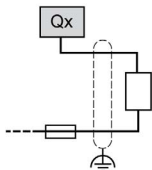


* Type T fuse

(1) The V0+ and V1+ terminals are **not** connected internally.

(2) The V0- and V1- terminals are **not** connected internally.

The following figure presents the connection of the fast outputs:



Qx Q0, Q1, Q2, Q3

Analog Inputs

Overview

The Modicon M221 Logic Controller has 2 analog inputs embedded.

DANGER

FIRE HAZARD

- Use only the correct wire sizes for the current capacity of the I/O channels and power supplies.
- For relay output (2 A) wiring, use conductors of at least 0.5 mm² (AWG 20) with a temperature rating of at least 80 °C (176 °F).
- For common conductors of relay output wiring (7 A), or relay output wiring greater than 2 A, use conductors of at least 1.0 mm² (AWG 16) with a temperature rating of at least 80 °C (176 °F).

Failure to follow these instructions will result in death or serious injury.

WARNING

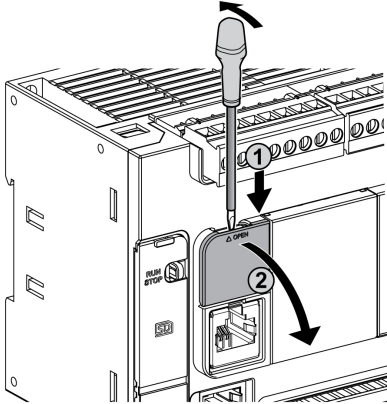
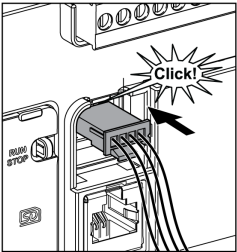
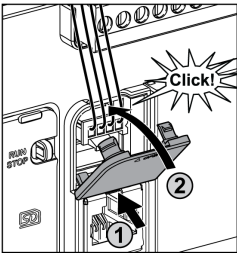
UNINTENDED EQUIPMENT OPERATION

Do not exceed any of the rated values specified in the environmental and electrical characteristics tables.

Failure to follow these instructions can result in death, serious injury, or equipment damage.

Mounting the Analog Cables

The following procedure describes how to mount the analog cables:

Step	Action
1	<p data-bbox="322 284 802 308">Use a screw-driver to remove the protective cover.</p> 
2	<p data-bbox="322 766 589 790">Push until you hear it "click".</p> 
3	<p data-bbox="322 1104 596 1128">Replace the protective cover.</p> 

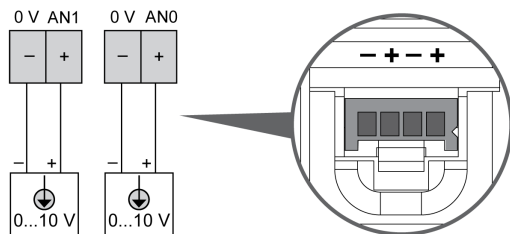
Analog Input Characteristics

The following table describes the characteristics of the M221 Logic Controller with analog inputs:

Characteristic		Voltage Input
Number of maximum inputs		2 inputs
Input type		Single-ended
Rated input range		0...+10 Vdc
Digital resolution		10 bits
Input value of LSB		10 mV
Input impedance		100 k Ω
Input delay time		12 ms
Sample duration time		1 ms per channel + 1 scan time
Accuracy		± 1 % of the full scale
Noise resistance - maximum temporary deviation during perturbations		± 5 % maximum of the full scale when EMC perturbation is applied to the power and I/O wiring
Isolation	Between input and internal logic	Not isolated
Connection type		Specific connector and cable (supplied)
Connector insertion/removal durability		Over 100 times
Cable	Type	Proprietary (supplied)
	Length	1 m (3.3 ft)

Analog Inputs Wiring Diagram

The following figure shows the wiring diagram of the M221 Logic Controller analog inputs:



The (-) poles are connected internally.

Pin	Wire Color
0 V	Black
AN1	Red
0 V	Black
AN0	Red

For more information, refer to the Wiring Best Practices ([see page 102](#)).

Part III

Modicon TM221M Logic Controller

What Is in This Part?

This part contains the following chapters:

Chapter	Chapter Name	Page
23	TM221M16R / TM221M16RG	255
24	TM221ME16R / TM221ME16RG	273
25	TM221M16T / TM221M16TG	291
26	TM221ME16T / TM221ME16TG	311
27	TM221M32TK	331
28	TM221ME32TK	351

Chapter 23

TM221M16R / TM221M16RG

Overview

This chapter describes the TM221M16R / TM221M16RG controllers.

What Is in This Chapter?

This chapter contains the following topics:

Topic	Page
TM221M16R / TM221M16RG Presentation	256
TM221M16R / TM221M16RG Digital Inputs	260
TM221M16R / TM221M16RG Digital Outputs	264
TM221M16R / TM221M16RG Analog Inputs	268

TM221M16R / TM221M16RG Presentation

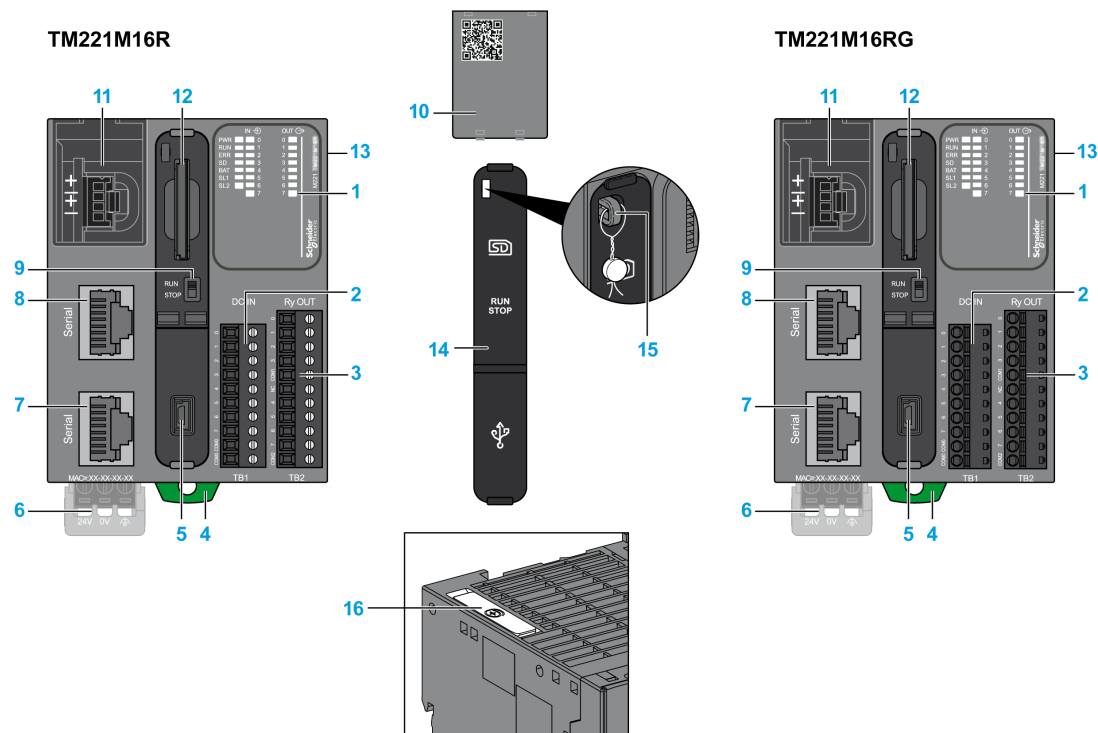
Overview

The following features are integrated into the TM221M16R (screw) and TM221M16RG (spring) controllers:

- 8 digital inputs
 - 4 regular inputs
 - 4 fast inputs (HSC)
- 8 digital outputs
 - 8 relay outputs
- 2 analog inputs
- Communication port
 - 2 serial line ports
 - 1 USB mini-B programming port

Description

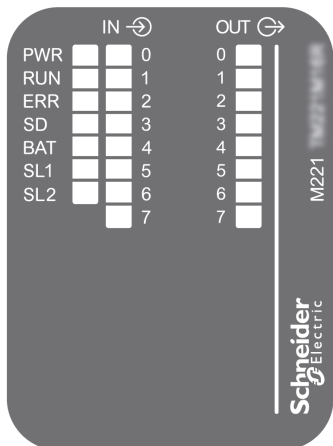
The following figure shows the different components of the controllers:



N°	Description	Refer to
1	Status LEDs	–
2	Input removable terminal block	Rules for Removable Screw Terminal Block (see page 104) Rules for Removable Spring Terminal Block (see page 105)
3	Output removable terminal block	
4	Clip-on lock for 35 mm (1.38 in.) top hat section rail (DIN-rail)	DIN Rail (see page 93)
5	USB mini-B programming port / For terminal connection to a programming PC (SoMachine Basic)	USB mini-B programming port (see page 374)
6	24 Vdc power supply	Power supply (see page 109)
7	Serial line port 2 / RJ45 connector (RS-485)	Serial line 2 (see page 383)
8	Serial line port 1 / RJ45 connector (RS-232 or RS-485)	Serial line 1 (see page 379)
9	Run/Stop switch	Run/Stop switch (see page 69)
10	Removable analog inputs cover	–
11	2 analog inputs	Analog Inputs (see page 268)
12	SD Card slot	SD Card Slot (see page 72)
13	I/O expansion connector	–
14	Protective cover (SD Card slot, Run/Stop switch and USB mini-B programming port)	–
15	Locking hook	–
16	Battery holder	Installing and Replacing the Battery (see page 55)

Status LEDs

The following figure shows the status LEDs:



The following table describes the status LEDs:

Label	Function Type	Color	Status	Description		
				Controller States ⁽¹⁾	Prg Port Communication	Application Execution
PWR	Power	Green	On	Indicates that power is applied.		
			Off	Indicates that power is removed.		
RUN	Machine Status	Green	On	Indicates that the controller is running a valid application.		
			Flashing	Indicates that the controller has a valid application that is stopped.		
			Off	Indicates that the controller is not programmed.		
ERR	Error	Red	On*	EXCEPTION	Restricted	NO
			Flashing (with RUN status LED Off)	INTERNAL ERROR	Restricted	NO
			Slow flashing	Minor error detected ⁽²⁾	Yes	Depends on the RUN status LED
			1 single flash	No application	Yes	Yes

* ERR LED is also On during booting process.

(1) For more information about the controller state description, refer to the M221 Logic Controller - Programming Guide (see *Modicon M221, Logic Controller, Programming Guide*).

(2) The controller detected an error but remains in RUNNING state. The ERR LED on the controller flashes. For more information, refer to M221 Logic Controller - Programming Guide.

Label	Function Type	Color	Status	Description		
				Controller States ⁽¹⁾	Prg Port Communication	Application Execution
SD	SD Card Access (see page 72)	Green	On	Indicates that the SD card is being accessed.		
			Flashing	Indicates that an error was detected during the SD card operation.		
			Off	Indicates no access (idle) or no card is present.		
BAT	Battery (see page 54)	Red	On	Indicates that the battery needs to be replaced.		
			Flashing	Indicates that the battery charge is low.		
			Off	Indicates that the battery is OK.		
SL1	Serial line 1 (see page 379)	Green	On	Indicates the status of Serial line 1.		
			Flashing	Indicates activity on Serial line 1.		
			Off	Indicates no serial communication.		
SL2	Serial line 2 (see page 383)	Green	On	Indicates the status of Serial line 2.		
			Flashing	Indicates activity on Serial line 2.		
			Off	Indicates no serial communication.		

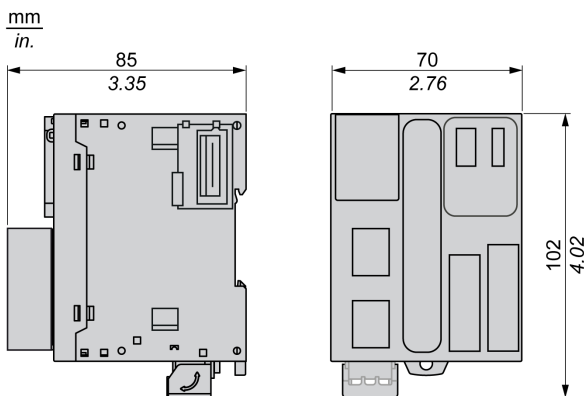
* ERR LED is also On during booting process.

(1) For more information about the controller state description, refer to the M221 Logic Controller - Programming Guide (see *Modicon M221, Logic Controller, Programming Guide*).

(2) The controller detected an error but remains in RUNNING state. The ERR LED on the controller flashes. For more information, refer to M221 Logic Controller - Programming Guide.

Dimensions

The following figure shows the external dimensions of the controllers:



TM221M16R / TM221M16RG Digital Inputs

Overview

This M221 Logic Controller has embedded digital inputs:

- 4 regular inputs
- 4 fast inputs which can be used as 100 kHz HSC inputs

For more information, refer to Input Management ([see page 61](#)).

DANGER

FIRE HAZARD

- Use only the correct wire sizes for the current capacity of the I/O channels and power supplies.
- For relay output (2 A) wiring, use conductors of at least 0.5 mm² (AWG 20) with a temperature rating of at least 80 °C (176 °F).
- For common conductors of relay output wiring (7 A), or relay output wiring greater than 2 A, use conductors of at least 1.0 mm² (AWG 16) with a temperature rating of at least 80 °C (176 °F).

Failure to follow these instructions will result in death or serious injury.

WARNING

UNINTENDED EQUIPMENT OPERATION

Do not exceed any of the rated values specified in the environmental and electrical characteristics tables.

Failure to follow these instructions can result in death, serious injury, or equipment damage.

Regular Input Characteristics

The following table describes the characteristics of the TM221M Logic Controller regular inputs:

Characteristic		Value
Number of regular inputs		4 inputs (I2, I3, I4, I5)
Number of channel groups		1 common line for I0...I7
Input type		Type 1 (IEC/EN 61131-2)
Logic type		Sink/Source
Input voltage range		24 Vdc
Rated input voltage		19.2...28.8 Vdc
Rated input current		7 mA
Input impedance		3.4 kΩ
Input limit values	Voltage at state 1	> 15 Vdc (15...28.8 Vdc)
	Voltage at state 0	< 5 Vdc (0...5 Vdc)
	Current at state 1	> 2.5 mA
	Current at state 0	< 1.0 mA
Derating		No derating
Turn on time		35 μs + filter value ¹
Turn off time		35 μs + filter value ¹
Isolation	Between input and internal logic	500 Vac
Connection type	TM221M16R	Removable screw terminal blocks
	TM221M16RG	Removable spring terminal blocks
Connector insertion/removal durability		Over 100 times
Cable	Type	Unshielded
	Length	Maximum 30 m (98 ft)
¹ For more information, refer to Integrator Filter Principle (see page 61)		

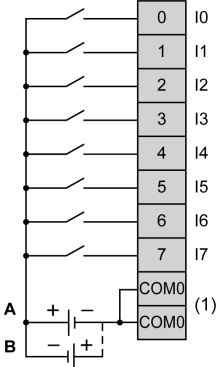
Fast Input Characteristics

The following table describes the characteristics of the TM221M Logic Controller fast inputs:

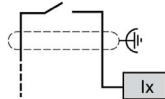
Characteristic		Value
Number of fast inputs		4 inputs (I0, I1, I6, I7)
Number of channel groups		1 common line for I0...I7
Input type		Type 1 (IEC/EN 61131-2)
Logic type		Sink/Source
Rated input voltage		24 Vdc
Input voltage range		19.2...28.8 Vdc
Rated input current		4.5 mA
Input impedance		4.9 kΩ
Input limit values	Voltage at state 1	> 15 Vdc (15...28.8 Vdc)
	Voltage at state 0	< 5 Vdc (0...5 Vdc)
	Current at state 1	> 2.5 mA
	Current at state 0	< 1.0 mA
Derating		No derating
Turn on time		5 μs + filter value ¹
Turn off time		5 μs + filter value ¹
HSC maximum frequency	Dual Phase	100 kHz
	Single phase	100 kHz
	Frequency Meter	100 kHz
HSC supported operation mode		<ul style="list-style-type: none"> ● Dual Phase [Pulse / Direction] ● Dual Phase [Quadrature X1] ● Dual Phase [Quadrature X2] ● Dual Phase [Quadrature X4] ● Single Phase ● Frequency Meter
Isolation	Between input and internal logic	500 Vac
Connection type	TM221M16R	Removable screw terminal block
	TM221M16RG	Removable spring terminal block
Connector insertion/removal durability		Over 100 times
Cable	Type	Shielded, including the 24 Vdc power supply
	Length	Maximum 10 m (32.8 ft)
¹ For more information, refer to Integrator Filter Principle (see page 61)		

Wiring Diagram

The following figure presents the connection of the inputs to the sensors:



- (1) The COM0 terminals are connected internally.
- A Sink wiring (positive logic).
- B Source wiring (negative logic).



Ix I0, I1, I6, I7

TM221M16R / TM221M16RG Digital Outputs

Overview

M221 Logic Controller with 8 relay outputs embedded.

For more information on Output Management ([see page 65](#)).

DANGER

FIRE HAZARD

- Use only the correct wire sizes for the current capacity of the I/O channels and power supplies.
- For relay output (2 A) wiring, use conductors of at least 0.5 mm² (AWG 20) with a temperature rating of at least 80 °C (176 °F).
- For common conductors of relay output wiring (7 A), or relay output wiring greater than 2 A, use conductors of at least 1.0 mm² (AWG 16) with a temperature rating of at least 80 °C (176 °F).

Failure to follow these instructions will result in death or serious injury.

WARNING

UNINTENDED EQUIPMENT OPERATION

Do not exceed any of the rated values specified in the environmental and electrical characteristics tables.

Failure to follow these instructions can result in death, serious injury, or equipment damage.

Relay Output Characteristics

The following table describes the characteristics of the TM221M Logic Controller with relay outputs:

Characteristic		Value
Number of relay outputs		8 outputs
Number of channel groups		1 common line for Q0...Q3 1 common line for Q4...Q7
Output type		Relay
Contact type		NO (Normally Open)
Rated output voltage		24 Vdc, 240 Vac
Maximum voltage at 2 A		30 Vdc, 264 Vac
Minimum switching load		5 Vdc at 10 mA
Rated output current		2 A
Maximum output current		2 A per output
		7 A per common
Maximum output frequency with maximum load		20 operations per minute
Derating		No derating
Turn on time		Max. 10 ms
Turn off time		Max. 10 ms
Contact resistance		30 mΩ max
Mechanical life		20 million operations
Electrical life	Under resistive load	See power limitation (see page 266)
	Under inductive load	
Protection against short circuit		No
Isolation	Between output and internal logic	500 Vac
	Between channel groups	500 Vac
Connection type	TM221M16R	Removable screw terminal blocks
	TM221M16RG	Removable spring terminal blocks
Connector insertion/removal durability		Over 100 times
Cable	Type	Unshielded
	Length	Max. 30 m (98 ft)
<p>NOTE: Refer to Protecting Outputs from Inductive Load Damage (see page 106) for additional information concerning output protection.</p>		

Power Limitation

The following table describes the power limitation of the TM221M16R / TM221M16RG relay outputs depending on the voltage, the type of load, and the number of operations required.

These controllers do not support capacitive loads.

WARNING

RELAY OUTPUTS WELDED CLOSED

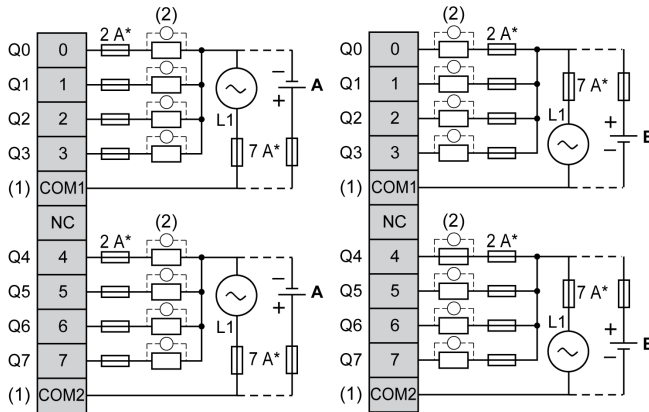
- Always protect relay outputs from inductive alternating current load damage using an appropriate external protective circuit or device.
- Do not connect relay outputs to capacitive loads.

Failure to follow these instructions can result in death, serious injury, or equipment damage.

Power Limitations				
Voltage	24 Vdc	120 Vac	240 Vac	Number of operations
Power of resistive loads AC-12	–	240 VA 80 VA	480 VA 160 VA	100,000 300,000
Power of inductive loads AC-15 ($\cos \phi = 0.35$)	–	60 VA 18 VA	120 VA 36 VA	100,000 300,000
Power of inductive loads AC-14 ($\cos \phi = 0.7$)	–	120 VA 36 VA	240 VA 72 VA	100,000 300,000
Power of resistive loads DC-12	48 W 16 W	–	–	100,000 300,000
Power of inductive loads DC-13 L/R = 7 ms	24 W 7.2 W	–	–	100,000 300,000

Wiring Diagram

The following figure presents the connection of the outputs to the load:



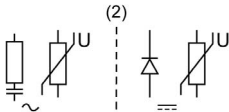
* Type T fuse

(1) The COM1 and COM2 terminals are **not** connected internally.

(2) To improve the life time of the contacts, and to protect from potential inductive load damage, you must connect a free wheeling diode in parallel to each inductive DC load or an RC snubber in parallel of each inductive AC load

A Source wiring (positive logic).

B Sink wiring (negative logic).



NOTE: The assigned fuse values have been specified for the maximum current characteristics of the controller I/O and associated commons. You may have other considerations that are applicable based on the unique types of input and output devices you connect, or conformance to local, national or applicable certification regulations and standards, and you should size your fuses accordingly.

⚠ WARNING

UNINTENDED EQUIPMENT OPERATION

Do not connect wires to unused terminals and/or terminals indicated as “No Connection (N.C.)”.

Failure to follow these instructions can result in death, serious injury, or equipment damage.

TM221M16R / TM221M16RG Analog Inputs

Overview

The M221 Logic Controllers have 2 analog inputs embedded.

DANGER

FIRE HAZARD

- Use only the correct wire sizes for the current capacity of the I/O channels and power supplies.
- For relay output (2 A) wiring, use conductors of at least 0.5 mm² (AWG 20) with a temperature rating of at least 80 °C (176 °F).
- For common conductors of relay output wiring (7 A), or relay output wiring greater than 2 A, use conductors of at least 1.0 mm² (AWG 16) with a temperature rating of at least 80 °C (176 °F).

Failure to follow these instructions will result in death or serious injury.

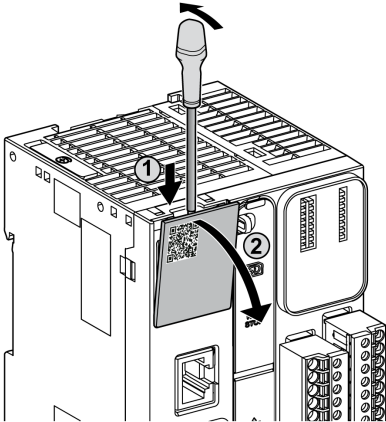
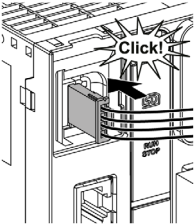
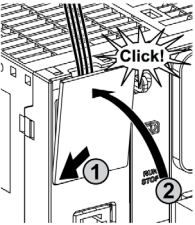
WARNING

UNINTENDED EQUIPMENT OPERATION

Do not exceed any of the rated values specified in the environmental and electrical characteristics tables.

Failure to follow these instructions can result in death, serious injury, or equipment damage.

The following procedure describes how to mount the analog cables:

Step	Action
1	<p data-bbox="353 245 834 269">Use a screw-driver to remove the protective cover.</p> 
2	<p data-bbox="353 748 622 773">Push until you hear it "click".</p> 
3	<p data-bbox="353 1050 632 1075">Replace the protective cover.</p> 

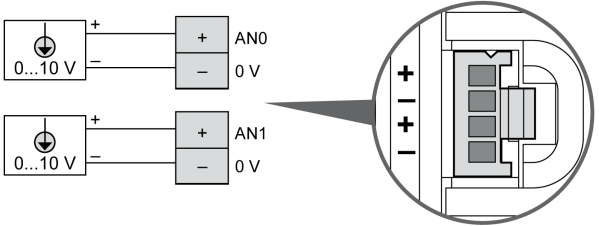
Analog Input Characteristics

The following table describes the characteristics of the M221 Logic Controller with analog inputs:

Characteristic		Voltage Input
Number of maximum inputs		2 inputs
Input type		Single-ended
Rated input range		0...+10 Vdc
Digital resolution		10 bits
Input value of LSB		10 mV
Input impedance		100 k Ω
Input delay time		12 ms
Sample duration time		1 ms per channel + 1 scan time
Accuracy		$\pm 1\%$ of the full scale
Noise resistance - maximum temporary deviation during perturbations		$\pm 5\%$ maximum of the full scale when EMC perturbation is applied to the power and I/O wiring
Isolation	Between input and internal logic	Not isolated
Connection type		Specific connector and cable (supplied)
Connector insertion/removal durability		Over 100 times
Cable	Type	Proprietary (supplied)
	Length	1 m (3.3 ft)

Wiring Diagram

The following figure shows the wiring diagram of the M221 Logic Controller analog inputs:



The (-) poles are connected internally.

Pin	Wire Color
AN0	Red
0 V	Black
AN1	Red
0 V	Black

For more information, refer to the Wiring Best Practices ([see page 102](#)).

Chapter 24

TM221ME16R / TM221ME16RG

Overview

This chapter describes the TM221ME16R / TM221ME16RG controllers.

What Is in This Chapter?

This chapter contains the following topics:

Topic	Page
TM221ME16R / TM221ME16RG Presentation	274
TM221ME16R / TM221ME16RG Digital Inputs	279
TM221ME16R / TM221ME16RG Digital Outputs	283
TM221ME16R / TM221ME16RG Analog Inputs	287

TM221ME16R / TM221ME16RG Presentation

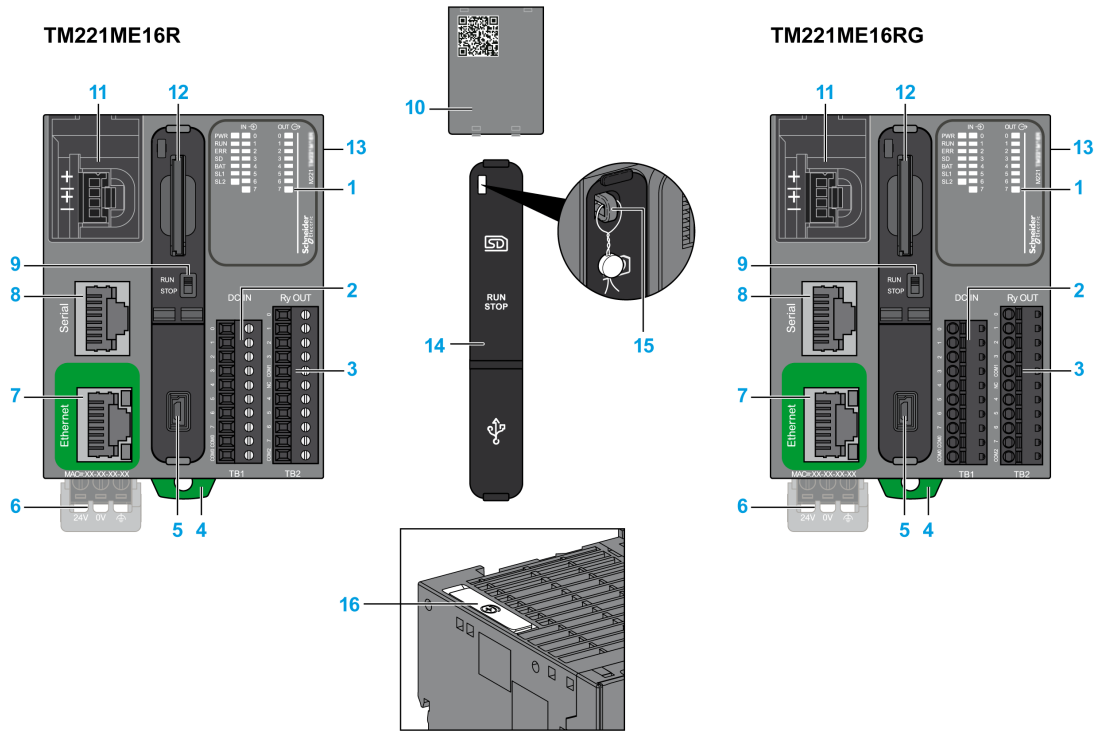
Overview

The following features are integrated into the TM221ME16R (screw) and TM221ME16RG (spring) controllers:

- 8 digital inputs
 - 4 regular inputs
 - 4 fast inputs (HSC)
- 8 digital outputs
 - 8 relay outputs
- 2 analog inputs
- Communication port
 - 1 serial line port
 - 1 USB mini-B programming port
 - 1 Ethernet port

Description

The following figure shows the different components of the controllers:

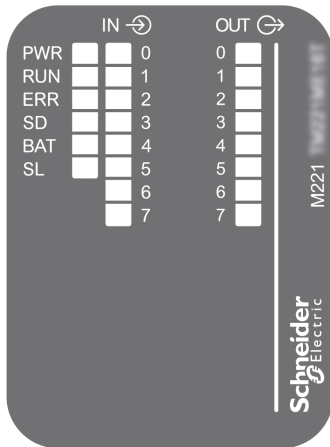


N°	Description	Refer to
1	Status LEDs	—
2	Input removable terminal block	Rules for Removable Screw Terminal Block (see page 104)
3	Output removable terminal block	Rules for Removable Spring Terminal Block (see page 105)
4	Clip-on lock for 35 mm (1.38 in.) top hat section rail (DIN-rail)	DIN Rail (see page 93)
5	USB mini-B programming port / For terminal connection to a programming PC (SoMachine Basic)	USB mini-B programming port (see page 374)
6	24 Vdc power supply	Power supply (see page 109)
7	Ethernet port / RJ45 connector	Ethernet port (see page 376)
8	Serial line port 1 / RJ45 connector (RS-232 or RS-485)	Serial line 1 (see page 379)
9	Run/Stop switch	Run/Stop switch (see page 69)

N°	Description	Refer to
10	Removable analog inputs cover	–
11	2 analog inputs	Analog Inputs (<i>see page 287</i>)
12	SD Card slot	SD Card Slot (<i>see page 72</i>)
13	I/O expansion connector	–
14	Protective cover (SD Card slot, Run/Stop switch and USB mini-B programming port)	–
15	Locking hook	–
16	Battery holder	Installing and Replacing the Battery (<i>see page 55</i>)

Status LEDs

The following figure shows the status LEDs:

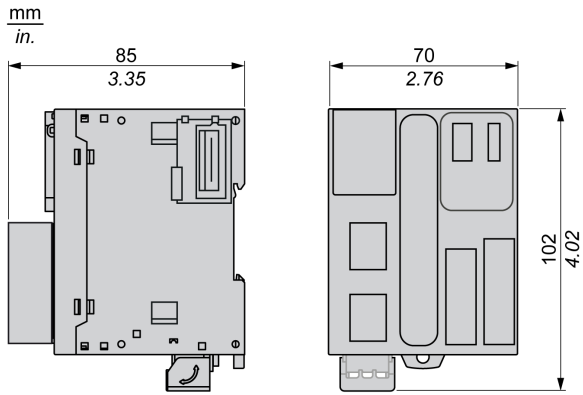


The following table describes the status LEDs:

Label	Function Type	Color	Status	Description		
				Controller States ⁽¹⁾	Prg Port Communication	Application Execution
PWR	Power	Green	On	Indicates that power is applied.		
			Off	Indicates that power is removed.		
RUN	Machine Status	Green	On	Indicates that the controller is running a valid application.		
			Flashing	Indicates that the controller has a valid application that is stopped.		
			Off	Indicates that the controller is not programmed.		
ERR	Error	Red	On*	EXCEPTION	Restricted	NO
			Flashing (with RUN status LED Off)	INTERNAL ERROR	Restricted	NO
			Slow flash	Minor error detected ⁽²⁾	Yes	Depends on the RUN status LED
			1 single flash	No application	Yes	Yes
SD	SD Card Access (see page 72)	Green	On	Indicates that the SD card is being accessed.		
			Flashing	Indicates that an error was detected during the SD card operation.		
			Off	Indicates no access (idle) or no card is present.		
BAT	Battery (see page 54)	Red	On	Indicates that the battery needs to be replaced.		
			Flashing	Indicates that the battery charge is low.		
			Off	Indicates that the battery is OK.		
SL	Serial line 1 (see page 379)	Green	On	Indicates the status of Serial line 1.		
			Flashing	Indicates activity on Serial line 1.		
			Off	Indicates no serial communication.		
* ERR LED is also On during booting process.						
NOTE: For information about the LEDs integrated into the Ethernet connector, refer to Ethernet Status LEDs (see page 378)						
(1) For more information about the controller state description, refer to the M221 Logic Controller - Programming Guide (see Modicon M221, Logic Controller, Programming Guide).						
(2) The controller detected an error but remains in RUNNING state. The ERR LED on the controller flashes. For more information, refer to M221 Logic Controller - Programming Guide.						

Dimensions

The following figure shows the external dimensions of the controllers:



TM221ME16R / TM221ME16RG Digital Inputs

Overview

This M221 Logic Controller has embedded digital inputs:

- 4 regular inputs
- 4 fast inputs which can be used as 100 kHz HSC inputs

For more information, refer to Input Management ([see page 61](#)).

DANGER

FIRE HAZARD

- Use only the correct wire sizes for the current capacity of the I/O channels and power supplies.
- For relay output (2 A) wiring, use conductors of at least 0.5 mm² (AWG 20) with a temperature rating of at least 80 °C (176 °F).
- For common conductors of relay output wiring (7 A), or relay output wiring greater than 2 A, use conductors of at least 1.0 mm² (AWG 16) with a temperature rating of at least 80 °C (176 °F).

Failure to follow these instructions will result in death or serious injury.

WARNING

UNINTENDED EQUIPMENT OPERATION

Do not exceed any of the rated values specified in the environmental and electrical characteristics tables.

Failure to follow these instructions can result in death, serious injury, or equipment damage.

Regular Input Characteristics

The following table describes the characteristics of the TM221M Logic Controller regular inputs:

Characteristic		Value
Number of regular inputs		4 inputs (I2, I3, I4, I5)
Number of channel groups		1 common line for I0...I7
Input type		Type 1 (IEC/EN 61131-2)
Logic type		Sink/Source
Input voltage range		24 Vdc
Rated input voltage		19.2...28.8 Vdc
Rated input current		7 mA
Input impedance		3.4 kΩ
Input limit values	Voltage at state 1	> 15 Vdc (15...28.8 Vdc)
	Voltage at state 0	< 5 Vdc (0...5 Vdc)
	Current at state 1	> 2.5 mA
	Current at state 0	< 1.0 mA
Derating		No derating
Turn on time		35 μs + filter value ¹
Turn off time		35 μs + filter value ¹
Isolation	Between input and internal logic	500 Vac
Connection type	TM221ME16R	Removable screw terminal blocks
	TM221ME16RG	Removable spring terminal blocks
Connector insertion/removal durability		Over 100 times
Cable	Type	Unshielded
	Length	Maximum 30 m (98 ft)
¹ For more information, refer to Integrator Filter Principle (see page 61)		

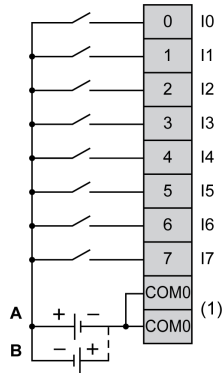
Fast Input Characteristics

The following table describes the characteristics of the TM221M Logic Controller fast inputs:

Characteristic		Value
Number of fast inputs		4 inputs (I0, I1, I6, I7)
Number of channel groups		1 common line for I0...I7
Input type		Type 1 (IEC/EN 61131-2)
Logic type		Sink/Source
Rated input voltage		24 Vdc
Input voltage range		19.2...28.8 Vdc
Rated input current		4.5 mA
Input impedance		4.9 kΩ
Input limit values	Voltage at state 1	> 15 Vdc (15...28.8 Vdc)
	Voltage at state 0	< 5 Vdc (0...5 Vdc)
	Current at state 1	> 2.5 mA
	Current at state 0	< 1.0 mA
Derating		No derating
Turn on time		5 μs + filter value ¹
Turn off time		5 μs + filter value ¹
HSC maximum frequency	Dual Phase	100 kHz
	Single phase	100 kHz
	Frequency Meter	100 kHz
HSC supported operation mode		<ul style="list-style-type: none"> ● Dual Phase [Pulse / Direction] ● Dual Phase [Quadrature X1] ● Dual Phase [Quadrature X2] ● Dual Phase [Quadrature X4] ● Single Phase ● Frequency Meter
Isolation	Between input and internal logic	500 Vac
	Between channel groups	500 Vac
Connection type	TM221ME16R	Removable screw terminal block
	TM221ME16RG	Removable spring terminal block
Connector insertion/removal durability		Over 100 times
Cable	Type	Shielded, including the 24 Vdc power supply
	Length	Maximum 10 m (32.8 ft)
¹ For more information, refer to Integrator Filter Principle (see page 61)		

Wiring Diagram

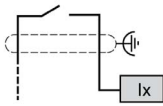
The following figure presents the connection of the inputs to the sensors:



(1) The COM0 terminals are connected internally.

A Sink wiring (positive logic).

B Source wiring (negative logic).



Ix I0, I1, I6, I7

TM221ME16R / TM221ME16RG Digital Outputs

Overview

M221 Logic Controller with 8 relay outputs embedded.

For more information on Output Management ([see page 65](#)).

DANGER

FIRE HAZARD

- Use only the correct wire sizes for the current capacity of the I/O channels and power supplies.
- For relay output (2 A) wiring, use conductors of at least 0.5 mm² (AWG 20) with a temperature rating of at least 80 °C (176 °F).
- For common conductors of relay output wiring (7 A), or relay output wiring greater than 2 A, use conductors of at least 1.0 mm² (AWG 16) with a temperature rating of at least 80 °C (176 °F).

Failure to follow these instructions will result in death or serious injury.

WARNING

UNINTENDED EQUIPMENT OPERATION

Do not exceed any of the rated values specified in the environmental and electrical characteristics tables.

Failure to follow these instructions can result in death, serious injury, or equipment damage.

Relay Output Characteristics

The following table describes the characteristics of the TM221M Logic Controller with relay outputs:

Characteristic		Value
Number of relay outputs		8 outputs
Number of channel groups		1 common line for Q0...Q3 1 common line for Q4...Q7
Output type		Relay
Contact type		NO (Normally Open)
Rated output voltage		24 Vdc, 240 Vac
Maximum voltage at 2 A		30 Vdc, 264 Vac
Minimum switching load		5 Vdc at 1 mA
Rated output current		2 A
Maximum output current		2 A per output
		7 A per common
Maximum output frequency with maximum load		20 operations per minute
Derating		No derating
Turn on time		Max. 10 ms
Turn off time		Max. 10 ms
Contact resistance		30 mΩ max
Mechanical life		20 million operations
Electrical life	Under resistive load	See power limitation (see page 285)
	Under inductive load	
Protection against short circuit		No
Isolation	Between output and internal logic	500 Vac
	Between channel groups	500 Vac
Connection type	TM221ME16R	Removable screw terminal blocks
	TM221ME16RG	Removable spring terminal blocks
Connector insertion/removal durability		Over 100 times
Cable	Type	Unshielded
	Length	Max. 30 m (98 ft)
<p>NOTE: Refer to Protecting Outputs from Inductive Load Damage (see page 106) for additional information concerning output protection.</p>		

Power Limitation

The following table describes the power limitation of the TM221ME16R / TM221ME16RG relay outputs controllers depending on the voltage, the type of load, and the number of operations required.

These controllers do not support capacitive loads.

WARNING

RELAY OUTPUTS WELDED CLOSED

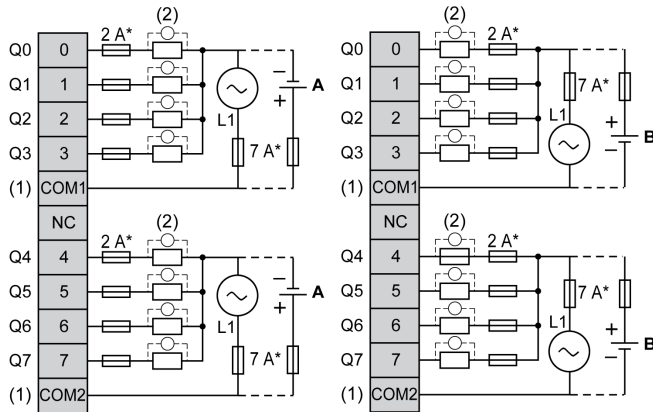
- Always protect relay outputs from inductive alternating current load damage using an appropriate external protective circuit or device.
- Do not connect relay outputs to capacitive loads.

Failure to follow these instructions can result in death, serious injury, or equipment damage.

Power Limitations				
Voltage	24 Vdc	120 Vac	240 Vac	Number of operations
Power of resistive loads AC-12	–	240 VA 80 VA	480 VA 160 VA	100,000 300,000
Power of inductive loads AC-15 ($\cos \phi = 0.35$)	–	60 VA 18 VA	120 VA 36 VA	100,000 300,000
Power of inductive loads AC-14 ($\cos \phi = 0.7$)	–	120 VA 36 VA	240 VA 72 VA	100,000 300,000
Power of resistive loads DC-12	48 W 16 W	–	–	100,000 300,000
Power of inductive loads DC-13 L/R = 7 ms	24 W 7.2 W	–	–	100,000 300,000

Wiring Diagram

The following figure presents the connection of the outputs to the load:



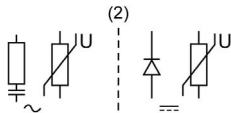
* Type T fuse

(1) The COM1 and COM2 terminals are **not** connected internally.

(2) To improve the life time of the contacts, and to protect from potential inductive load damage, you must connect a free wheeling diode in parallel to each inductive DC load or an RC snubber in parallel of each inductive AC load

A Source wiring (positive logic).

B Sink wiring (negative logic).



NOTE: The assigned fuse values have been specified for the maximum current characteristics of the controller I/O and associated commons. You may have other considerations that are applicable based on the unique types of input and output devices you connect, or conformance to local, national or applicable certification regulations and standards, and you should size your fuses accordingly.

⚠ WARNING

UNINTENDED EQUIPMENT OPERATION

Do not connect wires to unused terminals and/or terminals indicated as “No Connection (N.C.)”.

Failure to follow these instructions can result in death, serious injury, or equipment damage.

TM221ME16R / TM221ME16RG Analog Inputs

Overview

The M221 Logic Controllers have 2 analog inputs embedded.

DANGER

FIRE HAZARD

- Use only the correct wire sizes for the current capacity of the I/O channels and power supplies.
- For relay output (2 A) wiring, use conductors of at least 0.5 mm² (AWG 20) with a temperature rating of at least 80 °C (176 °F).
- For common conductors of relay output wiring (7 A), or relay output wiring greater than 2 A, use conductors of at least 1.0 mm² (AWG 16) with a temperature rating of at least 80 °C (176 °F).

Failure to follow these instructions will result in death or serious injury.

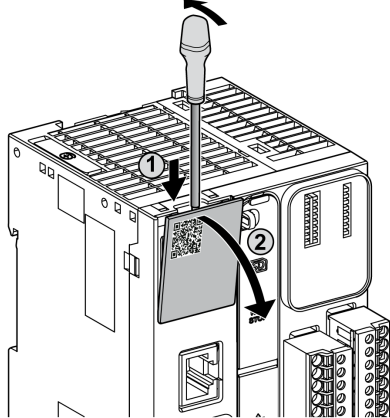
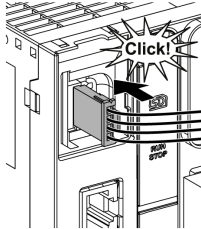
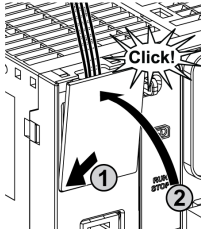
WARNING

UNINTENDED EQUIPMENT OPERATION

Do not exceed any of the rated values specified in the environmental and electrical characteristics tables.

Failure to follow these instructions can result in death, serious injury, or equipment damage.

The following procedure describes how to mount the analog cables:

Step	Action
1	<p>Use a screw-driver to remove the protective cover.</p> 
2	<p>Push until you hear it "click".</p> 
3	<p>Replace the protective cover.</p> 

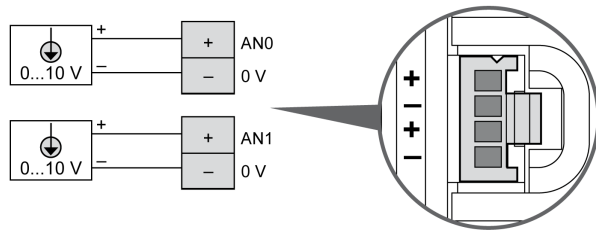
Analog Input Characteristics

The following table describes the characteristics of the M221 Logic Controller with analog inputs:

Characteristic		Voltage Input
Number of maximum inputs		2 inputs
Input type		Single-ended
Rated input range		0...+10 Vdc
Digital resolution		10 bits
Input value of LSB		10 mV
Input impedance		100 k Ω
Input delay time		12 ms
Sample duration time		1 ms per channel + 1 scan time
Accuracy		± 1 % of the full scale
Noise resistance - maximum temporary deviation during perturbations		± 5 % maximum of the full scale when EMC perturbation is applied to the power and I/O wiring
Isolation	Between input and internal logic	Not isolated
Connection type		Specific connector and cable (supplied)
Connector insertion/removal durability		Over 100 times
Cable	Type	Proprietary (supplied)
	Length	1 m (3.3 ft)

Wiring Diagram

The following figure shows the wiring diagram of the Modicon M221 Logic Controller analog inputs:



The (-) poles are connected internally.

Pin	Wire Color
AN0	Red
0 V	Black
AN1	Red
0 V	Black

For more information, refer to the Wiring Best Practices ([see page 102](#)).

Chapter 25

TM221M16T / TM221M16TG

Overview

This chapter describes the TM221M16T / TM221M16TG controllers.

What Is in This Chapter?

This chapter contains the following topics:

Topic	Page
TM221M16T / TM221M16TG Presentation	292
TM221M16T / TM221M16TG Digital Inputs	297
TM221M16T / TM221M16TG Digital Outputs	302
TM221M16T / TM221M16TG Analog Inputs	307

TM221M16T / TM221M16TG Presentation

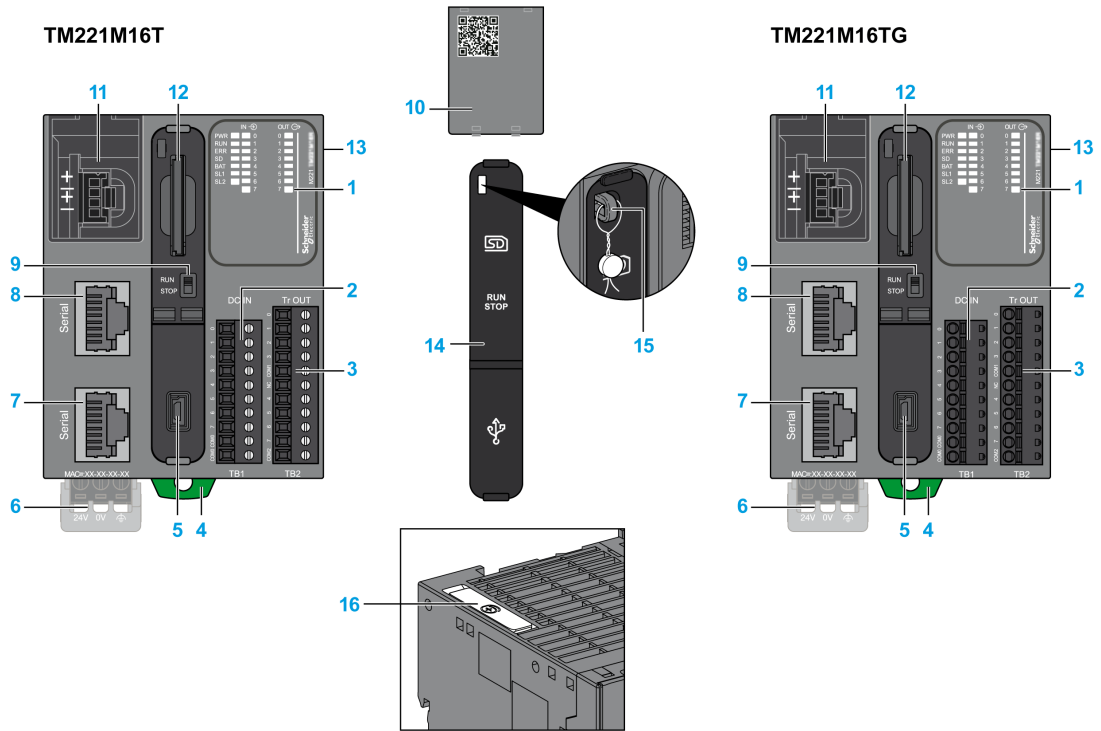
Overview

The following features are integrated into the TM221M16T (screw) and TM221M16TG (spring) controllers:

- 8 digital inputs
 - 4 regular inputs
 - 4 fast inputs (HSC)
- 8 digital outputs
 - 6 regular transistor outputs
 - 2 fast transistor outputs
- 2 analog inputs
- Communication port
 - 2 serial line ports
 - 1 USB mini-B programming port

Description

The following figure shows the different components of the controllers:

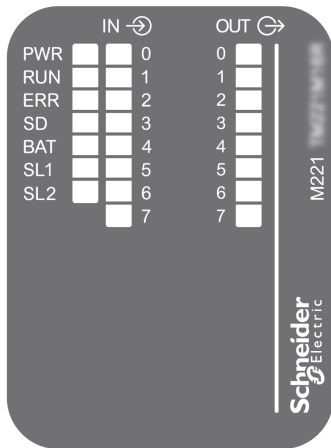


N°	Description	Refer to
1	Status LEDs	—
2	Input removable terminal block	Rules for Removable Screw Terminal Block (see page 104)
3	Output removable terminal block	Rules for Removable Spring Terminal Block (see page 105)
4	Clip-on lock for 35 mm (1.38 in.) top hat section rail (DIN-rail)	DIN Rail (see page 93)
5	USB mini-B programming port / For terminal connection to a programming PC (SoMachine Basic)	USB mini-B programming port (see page 374)
6	24 Vdc power supply	Power supply (see page 109)
7	Serial line port 2 / RJ45 connector (RS-485)	Serial line 2 (see page 383)
8	Serial line port 1 / RJ45 connector (RS-232 or RS-485)	Serial line 1 (see page 379)
9	Run/Stop switch	Run/Stop switch (see page 69)

N°	Description	Refer to
10	Removable analog inputs cover	–
11	2 analog inputs	Analog Inputs (<i>see page 307</i>)
12	SD Card slot	SD Card Slot (<i>see page 72</i>)
13	I/O expansion connector	–
14	Protective cover (SD Card slot, Run/Stop switch and USB mini-B programming port)	–
15	Locking hook	–
16	Battery holder	Installing and Replacing the Battery (<i>see page 55</i>)

Status LEDs

The following figure shows the status LEDs:



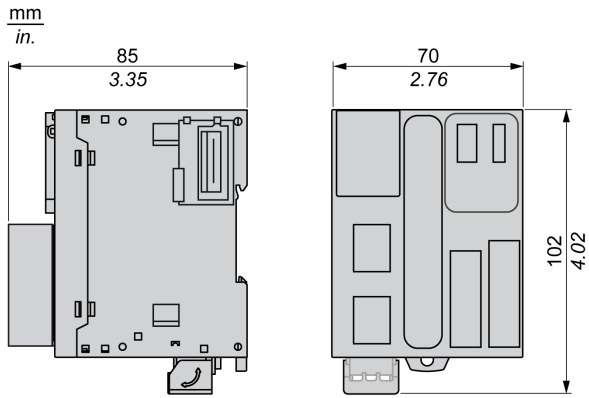
The following table describes the status LEDs:

Label	Function Type	Color	Status	Description		
				Controller States ⁽¹⁾	Prg Port Communication	Application Execution
PWR	Power	Green	On	Indicates that power is applied.		
			Off	Indicates that power is removed.		
RUN	Machine Status	Green	On	Indicates that the controller is running a valid application.		
			Flashing	Indicates that the controller has a valid application that is stopped.		
			Off	Indicates that the controller is not programmed.		
ERR	Error	Red	On*	EXCEPTION	Restricted	NO
			Flashing (with RUN status LED Off)	INTERNAL ERROR	Restricted	NO
			Slow flashing	Minor error detected ⁽²⁾	Yes	Depends on the RUN status LED
			1 single flash	No application	Yes	Yes
SD	SD Card Access (see page 72)	Green	On	Indicates that the SD card is being accessed.		
			Flashing	Indicates that an error was detected during the SD card operation.		
			Off	Indicates no access (idle) or no card is present.		
BAT	Battery (see page 54)	Red	On	Indicates that the battery needs to be replaced.		
			Flashing	Indicates that the battery charge is low.		
			Off	Indicates that the battery is OK.		
SL1	Serial line 1 (see page 379)	Green	On	Indicates the status of Serial line 1.		
			Flashing	Indicates activity on Serial line 1.		
			Off	Indicates no serial communication.		
SL2	Serial line 2 (see page 383)	Green	On	Indicates the status of Serial line 2.		
			Flashing	Indicates activity on Serial line 2.		
			Off	Indicates no serial communication.		

* ERR LED is also On during booting process.
(1) For more information about the controller state description, refer to the M221 Logic Controller - Programming Guide (see *Modicon M221, Logic Controller, Programming Guide*).
(2) The controller detected an error but remains in RUNNING state. The ERR LED on the controller flashes. For more information, refer to M221 Logic Controller - Programming Guide.

Dimensions

The following figure shows the external dimensions of the controllers:



TM221M16T / TM221M16TG Digital Inputs

Overview

This M221 Logic Controller has embedded digital inputs:

- 4 regular inputs
- 4 fast inputs which can be used as 100 kHz HSC inputs

For more information, refer to Input Management ([see page 61](#)).

DANGER

FIRE HAZARD

- Use only the correct wire sizes for the current capacity of the I/O channels and power supplies.
- For relay output (2 A) wiring, use conductors of at least 0.5 mm² (AWG 20) with a temperature rating of at least 80 °C (176 °F).
- For common conductors of relay output wiring (7 A), or relay output wiring greater than 2 A, use conductors of at least 1.0 mm² (AWG 16) with a temperature rating of at least 80 °C (176 °F).

Failure to follow these instructions will result in death or serious injury.

WARNING

UNINTENDED EQUIPMENT OPERATION

Do not exceed any of the rated values specified in the environmental and electrical characteristics tables.

Failure to follow these instructions can result in death, serious injury, or equipment damage.

Regular Input Characteristics

The following table describes the characteristics of the TM221M Logic Controller regular inputs:

Characteristic		Value
Number of regular inputs		4 inputs (I2, I3, I4, I5)
Number of channel groups		1 common line for I0...I7
Input type		Type 1 (IEC/EN 61131-2)
Logic type		Sink/Source
Input voltage range		24 Vdc
Rated input voltage		19.2...28.8 Vdc
Rated input current		7 mA
Input impedance		3.4 kΩ
Input limit values	Voltage at state 1	> 15 Vdc (15...28.8 Vdc)
	Voltage at state 0	< 5 Vdc (0...5 Vdc)
	Current at state 1	> 2.5 mA
	Current at state 0	< 1.0 mA
Derating		see Derating Curve (see page 300)
Turn on time		35 μs + filter value ¹
Turn off time		35 μs + filter value ¹
Isolation	Between input and internal logic	500 Vac
Connection type	TM221M16T	Removable screw terminal blocks
	TM221M16TG	Removable spring terminal blocks
Connector insertion/removal durability		Over 100 times
Cable	Type	Unshielded
	Length	Maximum 30 m (98 ft)
¹ For more information, refer to Integrator Filter Principle (see page 61)		

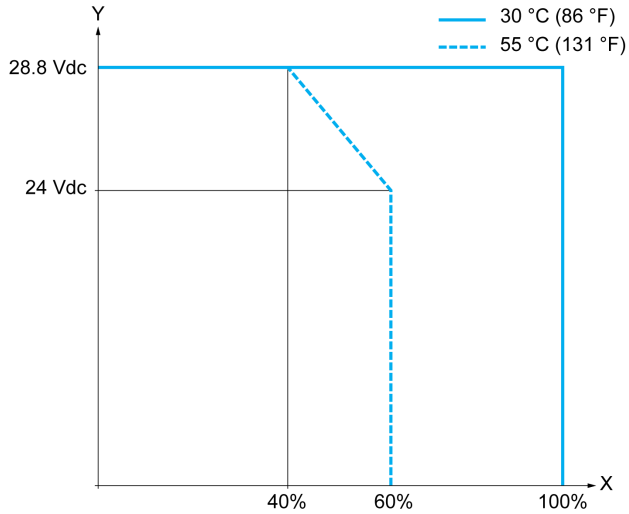
Fast Input Characteristics

The following table describes the characteristics of the TM221M Logic Controller fast inputs:

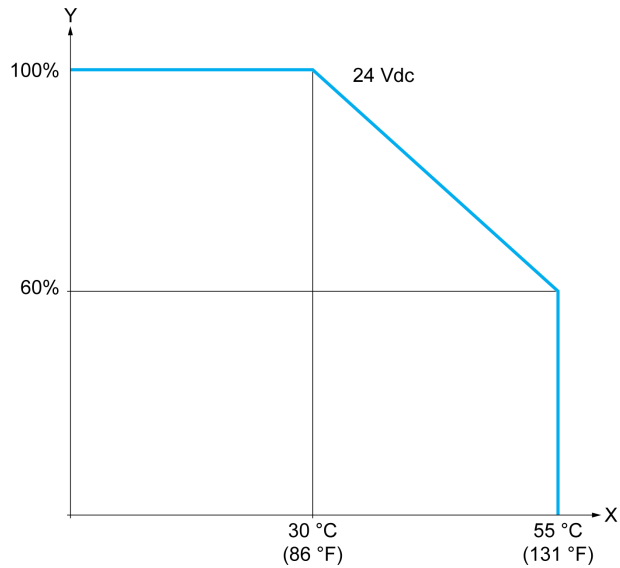
Characteristic		Value
Number of fast inputs		4 inputs (I0, I1, I6, I7)
Number of channel groups		1 common line for I0...I7
Input type		Type 1 (IEC/EN 61131-2)
Logic type		Sink/Source
Rated input voltage		24 Vdc
Input voltage range		19.2...28.8 Vdc
Rated input current		4.5 mA
Input impedance		4.9 kΩ
Input limit values	Voltage at state 1	> 15 Vdc (15...28.8 Vdc)
	Voltage at state 0	< 5 Vdc (0...5 Vdc)
	Current at state 1	2.6 mA
	Current at state 0	< 1.0 mA
Derating		see Derating Curve (see page 300)
Turn on time		5 μs + filter value ¹
Turn off time		5 μs + filter value ¹
HSC maximum frequency	Dual Phase	100 kHz
	Single phase	100 kHz
	Frequency Meter	100 kHz
HSC supported operation mode		<ul style="list-style-type: none"> ● Dual Phase [Pulse / Direction] ● Dual Phase [Quadrature X1] ● Dual Phase [Quadrature X2] ● Dual Phase [Quadrature X4] ● Single Phase ● Frequency Meter
Isolation	Between input and internal logic	500 Vac
	Between channel groups	500 Vac
Connection type	TM221M16T	Removable screw terminal block
	TM221M16TG	Removable spring terminal block
Connector insertion/removal durability		Over 100 times
Cable	Type	Shielded, including the 24 Vdc power supply
	Length	Maximum 10 m (32.8 ft)
¹ For more information, refer to Integrator Filter Principle (see page 61)		

Derating Curves

The following figures show the derating curves of the embedded digital inputs:



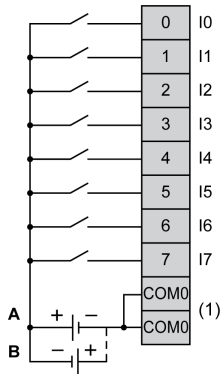
X Input simultaneous ON ratio
Y Input voltage



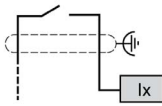
X Ambient temperature
Y Input simultaneous ON ratio

Wiring Diagram

The following figure presents the connection of the inputs to the sensors:



- (1) The COM0 terminals are connected internally.
A Sink wiring (positive logic).
B Source wiring (negative logic).



Ix I0, I1, I6, I7

TM221M16T / TM221M16TG Digital Outputs

Overview

The TM221M16T and TM221M16TG have digital outputs embedded:

- 6 regular transistor outputs
- 2 fast transistor outputs

For more information, refer to Output Management (*see page 65*).

DANGER

FIRE HAZARD

- Use only the correct wire sizes for the current capacity of the I/O channels and power supplies.
- For relay output (2 A) wiring, use conductors of at least 0.5 mm² (AWG 20) with a temperature rating of at least 80 °C (176 °F).
- For common conductors of relay output wiring (7 A), or relay output wiring greater than 2 A, use conductors of at least 1.0 mm² (AWG 16) with a temperature rating of at least 80 °C (176 °F).

Failure to follow these instructions will result in death or serious injury.

WARNING

UNINTENDED EQUIPMENT OPERATION

Do not exceed any of the rated values specified in the environmental and electrical characteristics tables.

Failure to follow these instructions can result in death, serious injury, or equipment damage.

Regular Transistor Output Characteristics

The following table describes the characteristics of the TM221M Logic Controller regular transistor outputs:

Characteristic		Value
Number of regular outputs		6 outputs (Q2...Q7)
Number of channel groups		1 common line for Q0...Q7
Output type		Transistor
Logic type		Source
Rated output voltage		24 Vdc
Output voltage range		19.2...28.8 Vdc
Rated output current		0.5 A
Total output current		4 A
Voltage drop		1 Vdc max
Leakage current when switched off		0.1 mA
Maximum power of filament lamp		12 W max
Derating		see Derating Curve (see page 305)
Turn on time	Q2...Q3	Max. 50 μ s
	Q4...Q7	Max. 300 μ s
Turn off time	Q2...Q3	Max. 50 μ s
	Q4...Q7	Max. 300 μ s
Protection against short circuit		Yes
Short circuit output peak current		1.3 A
Automatic rearming after short circuit or overload		Yes, every 1 s
Clamping voltage		Max. 39 Vdc \pm 1 Vdc
Switching frequency	Under resistive load	100 Hz max.
Isolation	Between output and internal logic	500 Vac
Connection type	TM221M16T	Removable screw terminal blocks
	TM221M16TG	Removable spring terminal blocks
Connector insertion/removal durability		Over 100 times
Cable	Type	Unshielded
	Length	Max 30 m (98 ft)
<p>NOTE: Refer to Protecting Outputs from Inductive Load Damage (see page 106) for additional information concerning output protection.</p>		

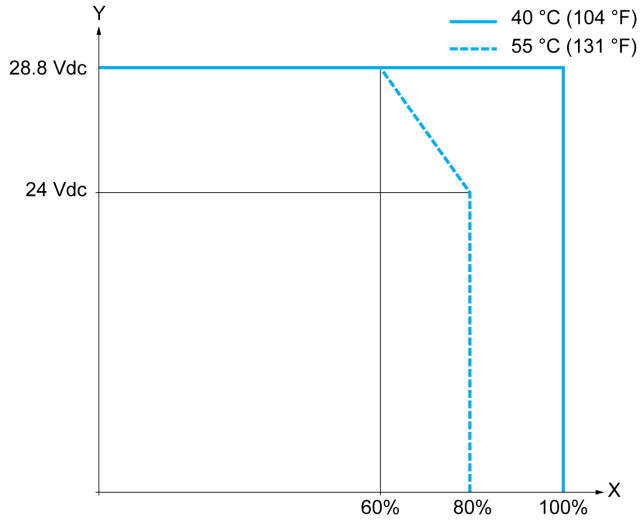
Fast Transistor Output Characteristics

The following table describes the characteristics of the TM221M Logic Controller fast transistor outputs:

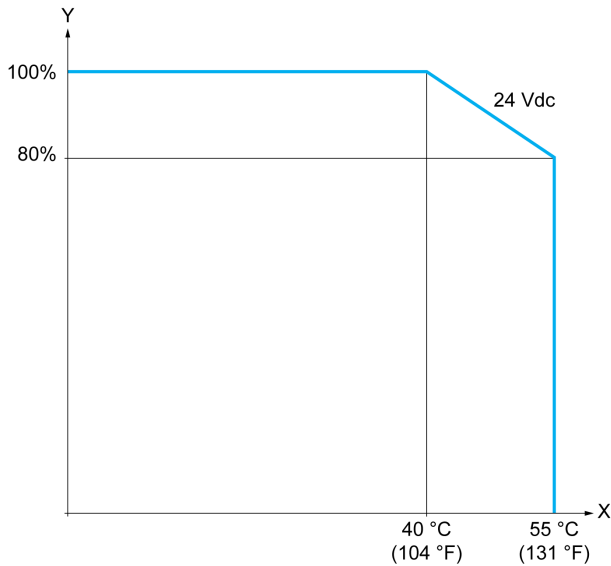
Characteristic		Value
Number of fast outputs		2 outputs (Q0, Q1)
Number of channel groups		1 common line for Q0...Q7
Output type		Transistor
Logic type		Source
Rated output voltage		24 Vdc
Output voltage range		19.2...28.8 Vdc
Rated output current		0.5 A
Total output current		4 A
Maximum power of filament lamp		12 W max
Derating		see Derating Curve (<i>see page 305</i>)
Turn on time (10 mA < output current < 100 mA)		Max. 5 μ s
Turn off time (10 mA < output current < 100 mA)		Max. 5 μ s
Protection against short circuit		Yes
Short circuit output peak current		1.3 A max.
Automatic rearming after short circuit or overload		Yes, every 1 s
Protection against reverse polarity		Yes
Clamping voltage		Typ. 39 Vdc +/- 1 Vdc
Maximum output frequency	PLS/PWM/PTO	100 kHz
Isolation	Between output and internal logic	500 Vac
Connection type	TM221M16T	Removable screw terminal blocks
	TM221M16TG	Removable spring terminal blocks
Connector insertion/removal durability		Over 100 times
Cable	Type	Shielded, including 24 Vdc power supply
	Length	Maximum 3 m (9.84 ft)
NOTE: Refer to Protecting Outputs from Inductive Load Damage (<i>see page 106</i>) for additional information concerning output protection.		

Derating Curves

The following figures show the derating curves of the embedded digital outputs:



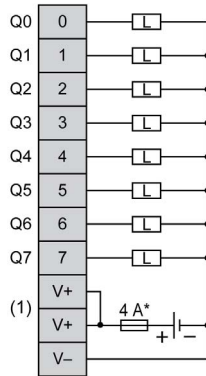
X Output simultaneous ON ratio
Y Output voltage



X Ambient temperature
Y Output simultaneous ON ratio

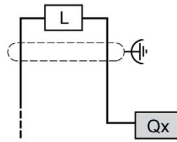
Wiring Diagram

The following figure presents the connection of the outputs to the load:



* Type T fuse

(1) The V+ terminals are connected internally.



Qx Q0, Q1

TM221M16T / TM221M16TG Analog Inputs

Overview

The M221 Logic Controllers have 2 analog inputs embedded.

DANGER

FIRE HAZARD

- Use only the correct wire sizes for the current capacity of the I/O channels and power supplies.
- For relay output (2 A) wiring, use conductors of at least 0.5 mm² (AWG 20) with a temperature rating of at least 80 °C (176 °F).
- For common conductors of relay output wiring (7 A), or relay output wiring greater than 2 A, use conductors of at least 1.0 mm² (AWG 16) with a temperature rating of at least 80 °C (176 °F).

Failure to follow these instructions will result in death or serious injury.

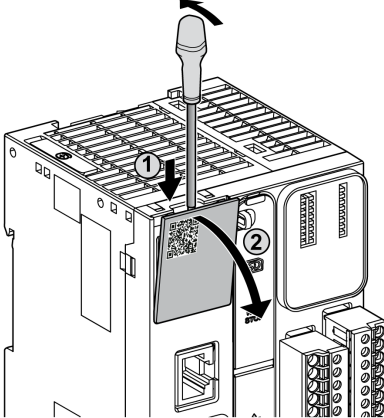
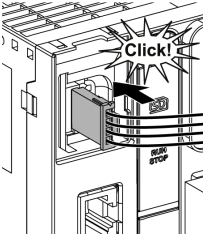
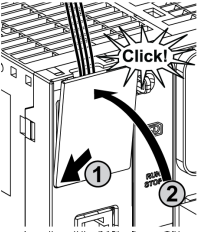
WARNING

UNINTENDED EQUIPMENT OPERATION

Do not exceed any of the rated values specified in the environmental and electrical characteristics tables.

Failure to follow these instructions can result in death, serious injury, or equipment damage.

The following procedure describes how to mount the analog cables:

Step	Action
1	<p>Use a screw-driver to remove the protective cover.</p> 
2	<p>Push until you hear it "click".</p> 
3	<p>Replace the protective cover.</p> 

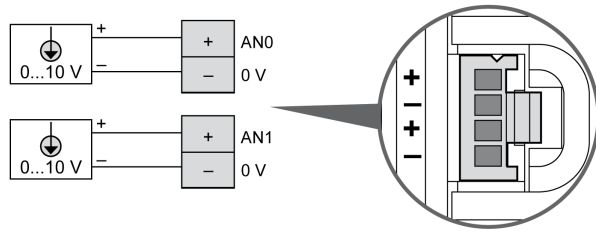
Analog Input Characteristics

The following table describes the characteristics of the M221 Logic Controller with analog inputs:

Characteristic		Voltage Input
Number of maximum inputs		2 inputs
Input type		Single-ended
Rated input range		0...+10 Vdc
Digital resolution		10 bits
Input value of LSB		10 mV
Input impedance		100 k Ω
Input delay time		12 ms
Sample duration time		1 ms per channel + 1 scan time
Accuracy		$\pm 1\%$ of the full scale
Noise resistance - maximum temporary deviation during perturbations		$\pm 5\%$ maximum of the full scale when EMC perturbation is applied to the power and I/O wiring
Isolation	Between input and internal logic	Not isolated
Connection type		Specific connector and cable (supplied)
Connector insertion/removal durability		Over 100 times
Cable	Type	Proprietary (supplied)
	Length	1 m (3.3 ft)

Wiring Diagram

The following figure shows the wiring diagram of the Modicon M221 Logic Controller analog inputs:



The (-) poles are connected internally.

Pin	Wire Color
AN0	Red
0 V	Black
AN1	Red
0 V	Black

For more information, refer to the Wiring Best Practices ([see page 102](#)).

Chapter 26

TM221ME16T / TM221ME16TG

Overview

This chapter describes the TM221ME16T / TM221ME16TG controllers.

What Is in This Chapter?

This chapter contains the following topics:

Topic	Page
TM221ME16T / TM221ME16TG Presentation	312
TM221ME16T / TM221ME16TG Digital Inputs	317
TM221ME16T / TM221ME16TG Digital Outputs	322
TM221ME16T / TM221ME16TG Analog Inputs	327

TM221ME16T / TM221ME16TG Presentation

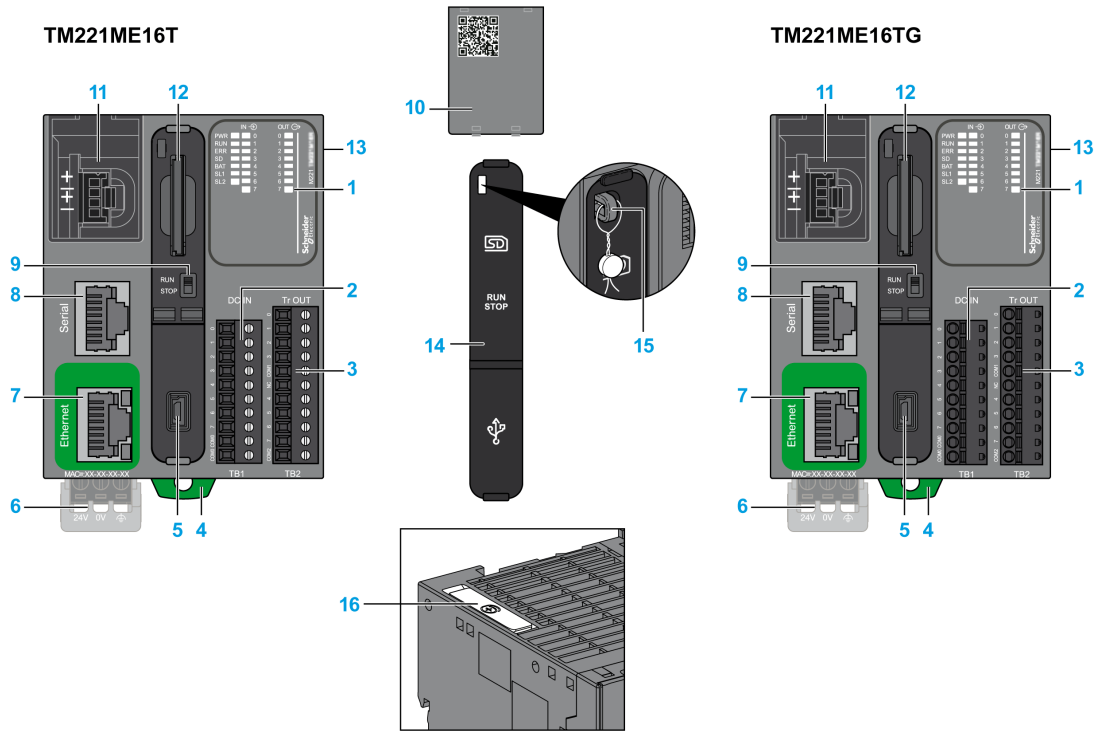
Overview

The following features are integrated into the TM221ME16T (screw) and TM221ME16TG (spring) controllers:

- 8 digital inputs
 - 4 regular inputs
 - 4 fast inputs (HSC)
- 8 digital outputs
 - 6 regular transistor outputs
 - 2 fast transistor outputs
- 2 analog inputs
- Communication port
 - 1 serial line port
 - 1 USB mini-B programming port
 - 1 Ethernet port

Description

The following figure shows the different components of the controllers:

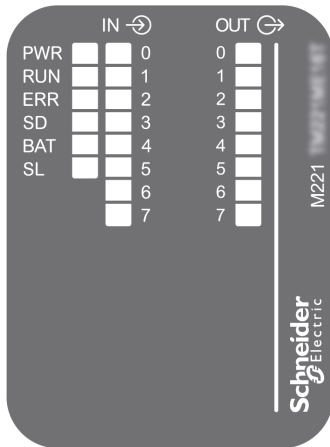


N°	Description	Refer to
1	Status LEDs	—
2	Input removable terminal block	Rules for Removable Screw Terminal Block (see page 104)
3	Output removable terminal block	Rules for Removable Spring Terminal Block (see page 105)
4	Clip-on lock for 35 mm (1.38 in.) top hat section rail (DIN-rail)	DIN Rail (see page 93)
5	USB mini-B programming port / For terminal connection to a programming PC (SoMachine Basic)	USB mini-B programming port (see page 374)
6	24 Vdc power supply	Power supply (see page 109)
7	Ethernet port / RJ45 connector	Ethernet port (see page 376)
8	Serial line port 1 / RJ45 connector (RS-232 or RS-485)	Serial line 1 (see page 379)
9	Run/Stop switch	Run/Stop switch (see page 69)

N°	Description	Refer to
10	Removable analog inputs cover	–
11	2 analog inputs	Analog Inputs (<i>see page 327</i>)
12	SD Card slot	SD Card Slot (<i>see page 72</i>)
13	I/O expansion connector	–
14	Protective cover (SD Card slot, Run/Stop switch and USB mini-B programming port)	–
15	Locking hook	–
16	Battery holder	Installing and Replacing the Battery (<i>see page 55</i>)

Status LEDs

The following figure shows the status LEDs:

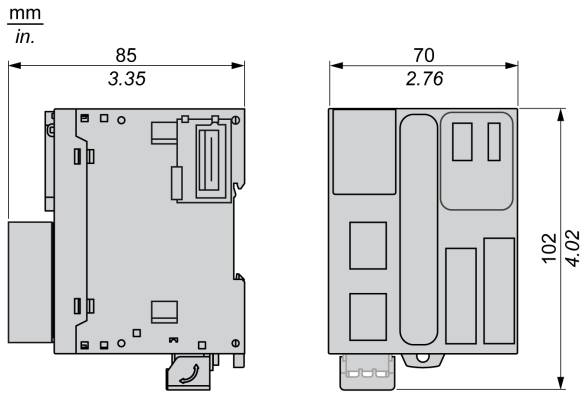


The following table describes the status LEDs:

Label	Function Type	Color	Status	Description		
				Controller States ⁽¹⁾	Prg Port Communication	Application Execution
PWR	Power	Green	On	Indicates that power is applied.		
			Off	Indicates that power is removed.		
RUN	Machine Status	Green	On	Indicates that the controller is running a valid application.		
			Flashing	Indicates that the controller has a valid application that is stopped.		
			Off	Indicates that the controller is not programmed.		
ERR	Error	Red	On*	EXCEPTION	Restricted	NO
			Flashing (with RUN status LED Off)	INTERNAL ERROR	Restricted	NO
			Slow flash	Minor error detected ⁽²⁾	Yes	Depends on the RUN status LED
			1 single flash	No application	Yes	Yes
SD	SD Card Access (see page 72)	Green	On	Indicates that the SD card is being accessed.		
			Flashing	Indicates that an error was detected during the SD card operation.		
			Off	Indicates no access (idle) or no card is present.		
BAT	Battery (see page 54)	Red	On	Indicates that the battery needs to be replaced.		
			Flashing	Indicates that the battery charge is low.		
			Off	Indicates that the battery is OK.		
SL	Serial line 1 (see page 379)	Green	On	Indicates the status of Serial line 1.		
			Flashing	Indicates activity on Serial line 1.		
			Off	Indicates no serial communication.		
* ERR LED is also On during booting process.						
NOTE: For information about the LEDs integrated into the Ethernet connector, refer to Ethernet Status LEDs (see page 378)						
(1) For more information about the controller state description, refer to the M221 Logic Controller - Programming Guide (see <i>Modicon M221, Logic Controller, Programming Guide</i>).						
(2) The controller detected an error but remains in RUNNING state. The ERR LED on the controller flashes. For more information, refer to M221 Logic Controller - Programming Guide.						

Dimensions

The following figure shows the external dimensions of the controllers:



TM221ME16T / TM221ME16TG Digital Inputs

Overview

This M221 Logic Controller has embedded digital inputs:

- 4 regular inputs
- 4 fast inputs which can be used as 100 kHz HSC inputs

For more information, refer to Input Management ([see page 61](#)).

DANGER

FIRE HAZARD

- Use only the correct wire sizes for the current capacity of the I/O channels and power supplies.
- For relay output (2 A) wiring, use conductors of at least 0.5 mm² (AWG 20) with a temperature rating of at least 80 °C (176 °F).
- For common conductors of relay output wiring (7 A), or relay output wiring greater than 2 A, use conductors of at least 1.0 mm² (AWG 16) with a temperature rating of at least 80 °C (176 °F).

Failure to follow these instructions will result in death or serious injury.

WARNING

UNINTENDED EQUIPMENT OPERATION

Do not exceed any of the rated values specified in the environmental and electrical characteristics tables.

Failure to follow these instructions can result in death, serious injury, or equipment damage.

Regular Input Characteristics

The following table describes the characteristics of the TM221M Logic Controller with transistor regular inputs:

Characteristic		Value
Number of regular inputs		4 inputs (I2, I3, I4, I5)
Number of channel groups		1 common line for I0...I7
Input type		Type 1 (IEC/EN 61131-2)
Logic type		Sink/Source
Rated input voltage		24 Vdc
Input voltage range		19.2...28.8 Vdc
Rated input current		7 mA
Input impedance		3.4 kΩ
Input limit values	Voltage at state 1	> 15 Vdc (15...28.8 Vdc)
	Voltage at state 0	< 5 Vdc (0...5 Vdc)
	Current at state 1	> 2.5 mA
	Current at state 0	< 1.0 mA
Derating		see Derating Curve (see page 320)
Turn on time		35 μs + filter value ¹
Turn off time		35 μs + filter value ¹
Isolation	Between input and internal logic	500 Vac
Connection type	TM221ME16T	Removable screw terminal blocks
	TM221ME16TG	Removable spring terminal blocks
Connector insertion/removal durability		Over 100 times
Cable	Type	Unshielded
	Length	Maximum 30 m (98 ft)
¹ For more information, refer to Integrator Filter Principle (see page 61)		

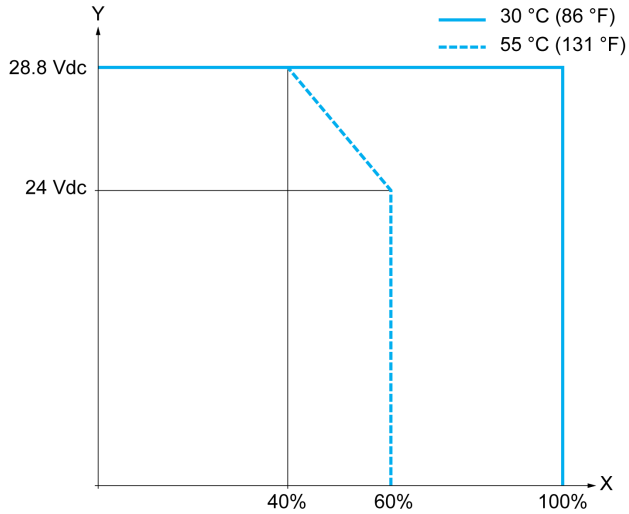
Fast Input Characteristics

The following table describes the characteristics of the TM221M Logic Controller fast inputs:

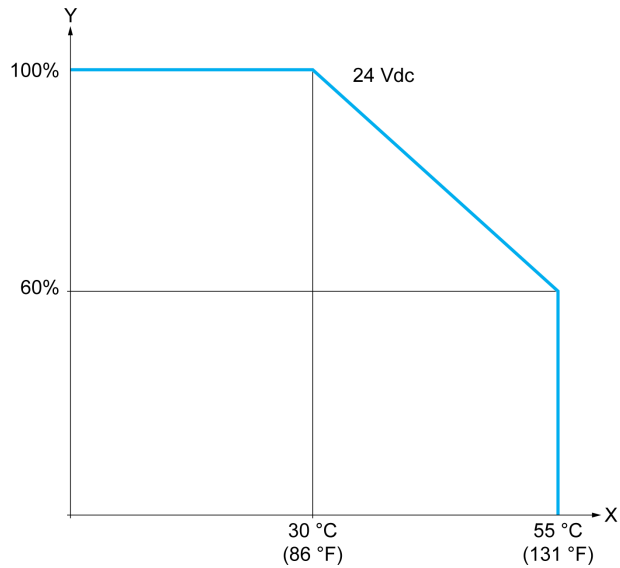
Characteristic		Value
Number of fast inputs		4 inputs (I0, I1, I6, I7)
Number of channel groups		1 common line for I0...I7
Input type		Type 1 (IEC/EN 61131-2)
Logic type		Sink/Source
Rated input voltage		24 Vdc
Input voltage range		19.2...28.8 Vdc
Rated input current		4.5 mA
Input impedance		4.9 kΩ
Input limit values	Voltage at state 1	> 15 Vdc (15...28.8 Vdc)
	Voltage at state 0	< 5 Vdc (0...5 Vdc)
	Current at state 1	> 2.5 mA
	Current at state 0	< 1.0 mA
Derating		see Derating Curve (see page 320)
Turn on time		5 μs + filter value ¹
Turn off time		5 μs + filter value ¹
HSC maximum frequency	Dual Phase	100 kHz
	Single phase	100 kHz
	Frequency Meter	100 kHz
HSC supported operation mode		<ul style="list-style-type: none"> ● Dual Phase [Pulse / Direction] ● Dual Phase [Quadrature X1] ● Dual Phase [Quadrature X2] ● Dual Phase [Quadrature X4] ● Single Phase ● Frequency Meter
Isolation	Between input and internal logic	500 Vac
	Between channel groups	500 Vac
Connection type	TM221ME16T	Removable screw terminal block
	TM221ME16TG	Removable spring terminal block
Connector insertion/removal durability		Over 100 times
Cable	Type	Shielded, including the 24 Vdc power supply
	Length	Maximum 10 m (32.8 ft)
¹ For more information, refer to Integrator Filter Principle (see page 61)		

Derating Curves

The following figures show the derating curves of the embedded digital inputs:



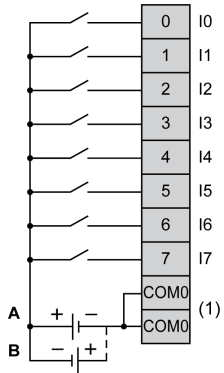
X Input simultaneous ON ratio
Y Input voltage



X Ambient temperature
Y Input simultaneous ON ratio

Wiring Diagram

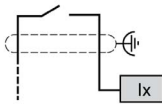
The following figure presents the connection of the inputs to the sensors:



(1) The COM0 terminals are connected internally.

A Sink wiring (positive logic).

B Source wiring (negative logic).



Ix I0, I1, I6, I7

TM221ME16T / TM221ME16TG Digital Outputs

Overview

The TM221ME16T and TM221ME16TG have 8 digital outputs embedded:

- 6 regular transistor outputs
- 2 fast transistor outputs

For more information, refer to Output Management (*see page 65*).

DANGER

FIRE HAZARD

- Use only the correct wire sizes for the current capacity of the I/O channels and power supplies.
- For relay output (2 A) wiring, use conductors of at least 0.5 mm² (AWG 20) with a temperature rating of at least 80 °C (176 °F).
- For common conductors of relay output wiring (7 A), or relay output wiring greater than 2 A, use conductors of at least 1.0 mm² (AWG 16) with a temperature rating of at least 80 °C (176 °F).

Failure to follow these instructions will result in death or serious injury.

WARNING

UNINTENDED EQUIPMENT OPERATION

Do not exceed any of the rated values specified in the environmental and electrical characteristics tables.

Failure to follow these instructions can result in death, serious injury, or equipment damage.

Regular Transistor Output Characteristics

The following table describes the characteristics of the TM221M Logic Controller regular transistor outputs:

Characteristic		Value
Number of regular outputs		6 outputs
Number of channel groups		1 common line for Q0...Q7
Output type		Transistor
Logic type		Source
Rated output voltage		24 Vdc
Output voltage range		19.2...28.8 Vdc
Rated output current		0.5 A
Total output current		3 A
Voltage drop		1 Vdc max
Leakage current when switched off		0.1 mA
Maximum power of filament lamp		12 W max
Derating		see Derating Curve (see page 325)
Turn on time	Q2...Q3	Max. 50 μ s
	Q4...Q7	Max. 300 μ s
Turn off time	Q2...Q3	Max. 50 μ s
	Q4...Q7	Max. 300 μ s
Protection against short circuit		Yes
Short circuit output peak current		1.3 A
Automatic rearming after short circuit or overload		Yes, every 1 s
Clamping voltage		Max. 39 Vdc \pm 1 Vdc
Switching frequency	Under resistive load	100 Hz max.
Isolation	Between output and internal logic	500 Vac
Connection type	TM221ME16T	Removable screw terminal blocks
	TM221ME16TG	Removable spring terminal blocks
Connector insertion/removal durability		Over 100 times
Cable	Type	Unshielded
	Length	Max 30 m (98 ft)
<p>NOTE: Refer to Protecting Outputs from Inductive Load Damage (see page 106) for additional information concerning output protection.</p>		

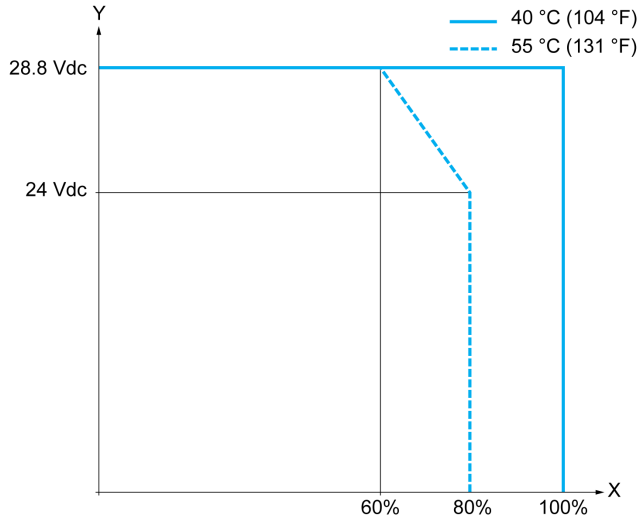
Fast Transistor Output Characteristics

The following table describes the characteristics of the TM221M Logic Controller fast transistor outputs:

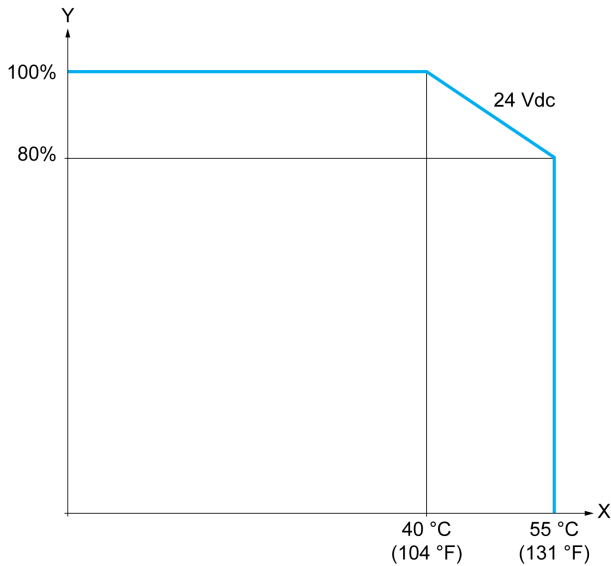
Characteristic		Value
Number of fast outputs		2 outputs (Q0, Q1)
Number of channel groups		1 common line for Q0...Q7
Output type		Transistor
Logic type		Source
Rated output voltage		24 Vdc
Output voltage range		19.2...28.8 Vdc
Rated output current		0.5 A
Total output current		4 A
Maximum power of filament lamp		12 W max
Derating		see Derating Curve (see page 325)
Turn on time (10 mA < output current < 100 mA)		Max. 5 μ s
Turn off time (10 mA < output current < 100 mA)		Max. 5 μ s
Protection against short circuit		Yes
Short circuit output peak current		1.3 A max.
Automatic rearming after short circuit or overload		Yes, every 1 s
Protection against reverse polarity		Yes
Clamping voltage		Typ. 39 Vdc +/- 1 Vdc
Maximum output frequency	PLS/PWM/PTO	100 kHz
Isolation	Between output and internal logic	500 Vac
Connection type	TM221ME16T	Removable screw terminal blocks
	TM221ME16TG	Removable spring terminal blocks
Connector insertion/removal durability		Over 100 times
Cable	Type	Shielded, including 24 Vdc power supply
	Length	Maximum 3 m (9.84 ft)
NOTE: Refer to Protecting Outputs from Inductive Load Damage (see page 106) for additional information concerning output protection.		

Derating Curves

The following figures show the derating curves of the embedded digital outputs:



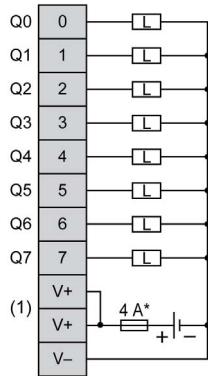
X Output simultaneous ON ratio
Y Output voltage



X Ambient temperature
Y Output simultaneous ON ratio

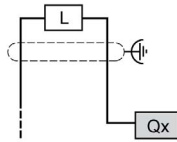
Wiring Diagram

The following figure presents the connection of the outputs to the load:



* Type T fuse

(1) The V+ terminals are connected internally.



Qx Q0, Q1

TM221ME16T / TM221ME16TG Analog Inputs

Overview

The M221 Logic Controllers have 2 analog inputs embedded.

DANGER

FIRE HAZARD

- Use only the correct wire sizes for the current capacity of the I/O channels and power supplies.
- For relay output (2 A) wiring, use conductors of at least 0.5 mm² (AWG 20) with a temperature rating of at least 80 °C (176 °F).
- For common conductors of relay output wiring (7 A), or relay output wiring greater than 2 A, use conductors of at least 1.0 mm² (AWG 16) with a temperature rating of at least 80 °C (176 °F).

Failure to follow these instructions will result in death or serious injury.

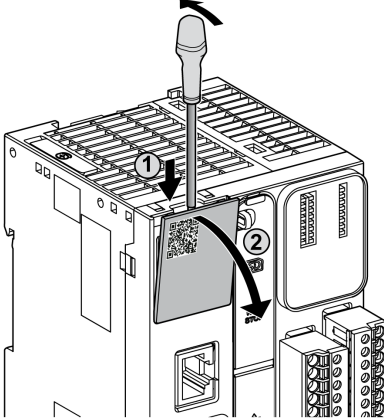
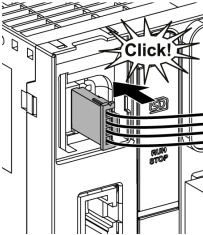
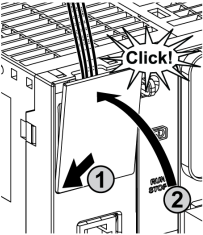
WARNING

UNINTENDED EQUIPMENT OPERATION

Do not exceed any of the rated values specified in the environmental and electrical characteristics tables.

Failure to follow these instructions can result in death, serious injury, or equipment damage.

The following procedure describes how to mount the analog cables:

Step	Action
1	<p>Use a screw-driver to remove the protective cover.</p> 
2	<p>Push until you hear it "click".</p> 
3	<p>Replace the protective cover.</p> 

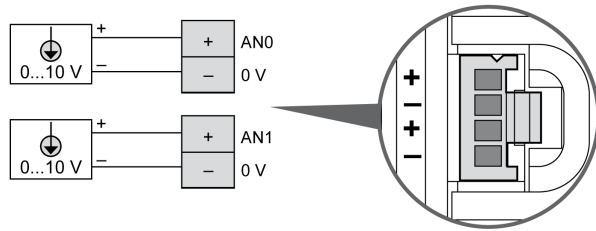
Analog Input Characteristics

The following table describes the characteristics of the M221 Logic Controller with analog inputs:

Characteristic		Voltage Input
Number of maximum inputs		2 inputs
Input type		Single-ended
Rated input range		0...+10 Vdc
Digital resolution		10 bits
Input value of LSB		10 mV
Input impedance		100 k Ω
Input delay time		12 ms
Sample duration time		1 ms per channel + 1 scan time
Accuracy		$\pm 1\%$ of the full scale
Noise resistance - maximum temporary deviation during perturbations		$\pm 5\%$ maximum of the full scale when EMC perturbation is applied to the power and I/O wiring
Isolation	Between input and internal logic	Not isolated
Connection type		Specific connector and cable (supplied)
Connector insertion/removal durability		Over 100 times
Cable	Type	Proprietary (supplied)
	Length	1 m (3.3 ft)

Wiring Diagram

The following figure shows the wiring diagram of the Modicon M221 Logic Controller analog inputs:



The (-) poles are connected internally.

Pin	Wire Color
AN0	Red
0 V	Black
AN1	Red
0 V	Black

For more information, refer to the Wiring Best Practices ([see page 102](#)).

Chapter 27

TM221M32TK

Overview

This chapter describes the TM221M32TK controllers.

What Is in This Chapter?

This chapter contains the following topics:

Topic	Page
TM221M32TK Presentation	332
TM221M32TK Digital Inputs	336
TM221M32TK Digital Outputs	341
TM221M32TK Analog Inputs	346

TM221M32TK Presentation

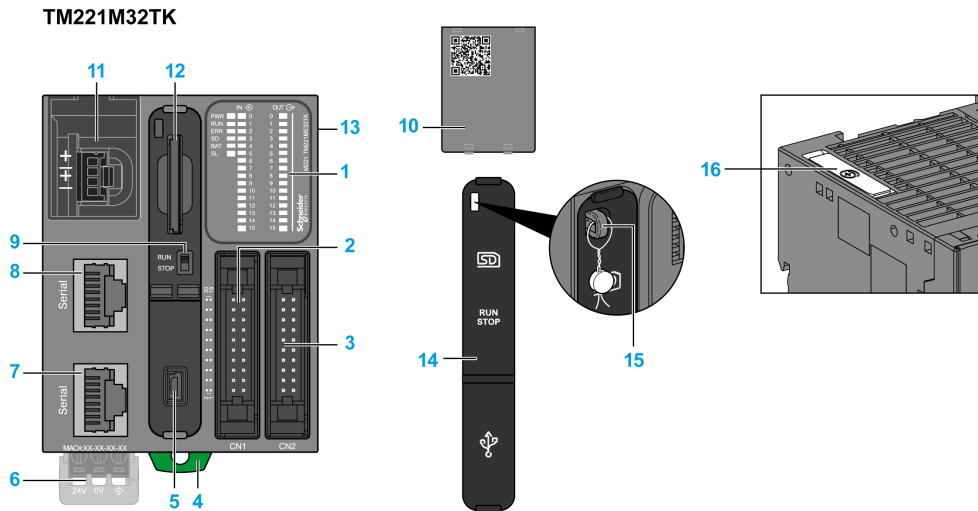
Overview

The following features are integrated into the TM221M32TK (HE10) controllers:

- 16 digital inputs
 - 12 regular inputs
 - 4 fast inputs (HSC)
- 16 digital outputs
 - 14 regular transistor outputs
 - 2 fast transistor outputs
- 2 analog inputs
- Communication port
 - 2 serial line ports
 - 1 USB mini-B programming port

Description

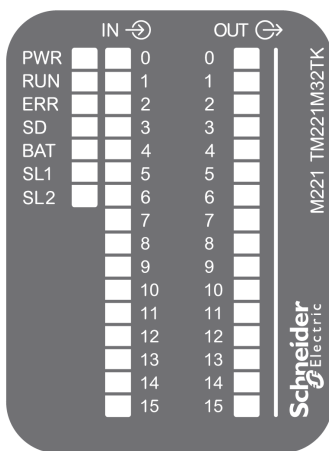
The following figure shows the different components of the controller:



N°	Description	Refer to
1	Status LEDs	–
2	Input HE10 (MIL20) connector	HE10 (MIL 20) connector cable list
3	Output HE10 (MIL20) connector	
4	Clip-on lock for 35 mm (1.38 in.) top hat section rail (DIN-rail)	DIN Rail (<i>see page 93</i>)
5	USB mini-B programming port / For terminal connection to a programming PC (SoMachine Basic)	USB mini-B programming port (<i>see page 374</i>)
6	24 Vdc power supply	Power supply (<i>see page 109</i>)
7	Serial line port 2 / RJ45 connector (RS-485)	Serial line 2 (<i>see page 383</i>)
8	Serial line port 1 / RJ45 connector (RS-232 or RS-485)	Serial line 1 (<i>see page 379</i>)
9	Run/Stop switch	Run/Stop switch (<i>see page 69</i>)
10	Removable analog inputs cover	–
11	2 analog inputs	Analog Inputs (<i>see page 346</i>)
12	SD Card slot	SD Card Slot (<i>see page 72</i>)
13	I/O expansion connector	–
14	Protective cover (SD Card slot, Run/Stop switch and USB mini-B programming port)	–
15	Locking hook	–
16	Battery holder	Installing and Replacing the Battery (<i>see page 55</i>)

Status LEDs

The following figure shows the status LEDs:

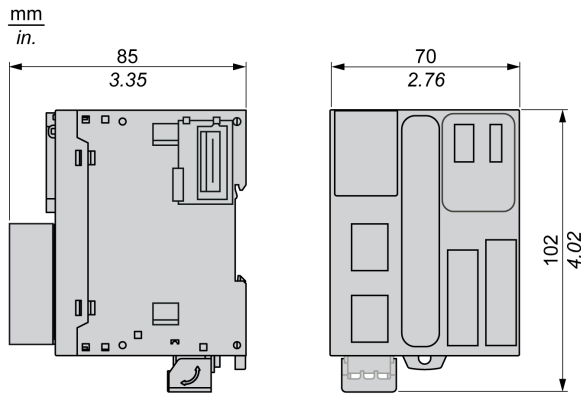


The following table describes the status LEDs:

Label	Function Type	Color	Status	Description		
				Controller States ⁽¹⁾	Prg Port Communication	Application Execution
PWR	Power	Green	On	Indicates that power is applied.		
			Off	Indicates that power is removed.		
RUN	Machine Status	Green	On	Indicates that the controller is running a valid application.		
			Flashing	Indicates that the controller has a valid application that is stopped.		
			Off	Indicates that the controller is not programmed.		
ERR	Error	Red	On*	EXCEPTION	Restricted	NO
			Flashing (with RUN status LED Off)	INTERNAL ERROR	Restricted	NO
			Slow flashing	Minor error detected ⁽²⁾	Yes	Depends on the RUN status LED
			1 single flash	No application	Yes	Yes
SD	SD Card Access (see page 72)	Green	On	Indicates that the SD card is being accessed.		
			Flashing	Indicates that an error was detected during the SD card operation.		
			Off	Indicates no access (idle) or no card is present.		
BAT	Battery (see page 54)	Red	On	Indicates that the battery needs to be replaced.		
			Flashing	Indicates that the battery charge is low.		
			Off	Indicates that the battery is OK.		
SL1	Serial line 1 (see page 379)	Green	On	Indicates the status of Serial line 1.		
			Flashing	Indicates activity on Serial line 1.		
			Off	Indicates no serial communication.		
SL2	Serial line 2 (see page 383)	Green	On	Indicates the status of Serial line 2.		
			Flashing	Indicates activity on Serial line 2.		
			Off	Indicates no serial communication.		
<p>* ERR LED is also On during booting process.</p> <p>(1) For more information about the controller state description, refer to the M221 Logic Controller - Programming Guide (see <i>Modicon M221, Logic Controller, Programming Guide</i>).</p> <p>(2) The controller detected an error but remains in RUNNING state. The ERR LED on the controller flashes. For more information, refer to M221 Logic Controller - Programming Guide.</p>						

Dimensions

The following figure shows the external dimensions of the controller:



TM221M32TK Digital Inputs

Overview

This M221 Logic Controller has embedded digital inputs:

- 12 regular inputs
- 4 fast inputs which can be used as 100 kHz HSC inputs

For more information, refer to Input Management ([see page 61](#)).

DANGER

FIRE HAZARD

- Use only the correct wire sizes for the current capacity of the I/O channels and power supplies.
- For relay output (2 A) wiring, use conductors of at least 0.5 mm² (AWG 20) with a temperature rating of at least 80 °C (176 °F).
- For common conductors of relay output wiring (7 A), or relay output wiring greater than 2 A, use conductors of at least 1.0 mm² (AWG 16) with a temperature rating of at least 80 °C (176 °F).

Failure to follow these instructions will result in death or serious injury.

WARNING

UNINTENDED EQUIPMENT OPERATION

Do not exceed any of the rated values specified in the environmental and electrical characteristics tables.

Failure to follow these instructions can result in death, serious injury, or equipment damage.

Regular Input Characteristics

The following table describes the characteristics of the TM221M Logic Controller regular inputs:

Characteristic		Value
Number of regular inputs		12 inputs
Number of channel groups		1 common line for I0...I7 1 common line for I8...I15
Input type		Type 1 (IEC/EN 61131-2)
Logic type		Sink/Source
Rated input voltage		24 Vdc
Input voltage range		19.2...28.8 Vdc
Rated input current		7 mA
Input impedance		3.4 k Ω
Input limit values	Voltage at state 1	> 15 Vdc (15...28.8 Vdc)
	Voltage at state 0	< 5 Vdc (0...5 Vdc)
	Current at state 1	> 2.5 mA
	Current at state 0	< 1.0 mA
Derating		see Derating Curve (see page 339)
Turn on time		35 μ s + filter value ¹
Turn off time		35 μ s + filter value ¹
Isolation	Between input and internal logic	500 Vac
Connection type		HE10 (MIL 20) connectors
Connector insertion/removal durability		Over 100 times
Cable	Type	Unshielded
	Length	Maximum 30 m (98 ft)
¹ For more information, refer to Integrator Filter Principle (see page 61)		

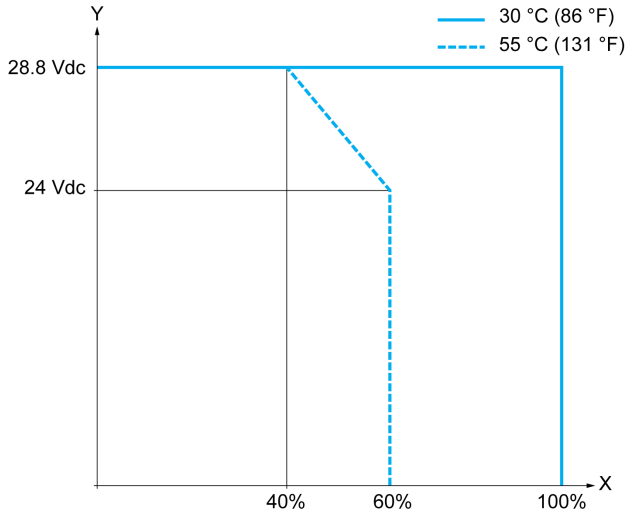
Fast Input Characteristics

The following table describes the characteristics of the TM221M Logic Controller fast inputs:

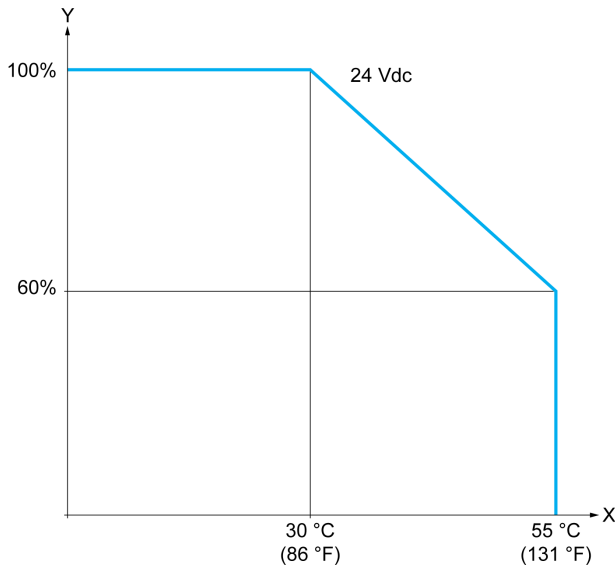
Characteristic		Value
Number of fast inputs		4 inputs (I0, I1, I6, I7)
Number of channel groups		1 common line for I0...I7
Input type		Type 1 (IEC/EN 61131-2)
Logic type		Sink/Source
Rated input voltage		24 Vdc
Input voltage range		19.2...28.8 Vdc
Rated input current		4.5 mA
Input impedance		4.9 kΩ
Input limit values	Voltage at state 1	> 15 Vdc (15...28.8 Vdc)
	Voltage at state 0	< 5 Vdc (0...5 Vdc)
	Current at state 1	> 2.5 mA
	Current at state 0	< 1.0 mA
Derating		see Derating Curve (see page 339)
Turn on time		5 μs + filter value ¹
Turn off time		5 μs + filter value ¹
HSC maximum frequency	Dual Phase	100 kHz
	Single phase	100 kHz
	Frequency Meter	100 kHz
HSC supported operation mode		<ul style="list-style-type: none"> ● Dual Phase [Pulse / Direction] ● Dual Phase [Quadrature X1] ● Dual Phase [Quadrature X2] ● Dual Phase [Quadrature X4] ● Single Phase ● Frequency Meter
Isolation	Between input and internal logic	500 Vac
	Between channel groups	500 Vac
Connection type	TM221M32TK	HE10 (MIL 20) connector
Connector insertion/removal durability		Over 100 times
Cable	Type	Shielded, including the 24 Vdc power supply
	Length	Maximum 10 m (32.8 ft)
¹ For more information, refer to Integrator Filter Principle (see page 61)		

Derating Curves

The following figures show the derating curves of the embedded digital inputs:



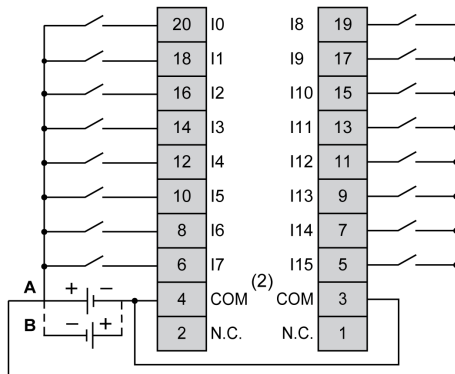
X Input simultaneous ON ratio
Y Input voltage



X Ambient temperature
Y Input simultaneous ON ratio

Wiring Diagram with Free-Wire Cable

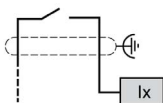
The following figure presents the connection of the inputs to the sensors:



(1) The COM terminals are **not** connected internally.

A Sink wiring (positive logic).

B Source wiring (negative logic).



Ix I0, I1, I6, I7

For more information on the cable color for TWDFCW30K/TWDFCW50K, refer to TWDFCW••K Cable Description ([see page 51](#)).

TM221M32TK Digital Outputs

Overview

The TM221M32TK has 16 digital outputs embedded:

- 14 regular transistor outputs
- 2 fast transistor outputs

For more information, refer to Output Management ([see page 65](#)).

DANGER

FIRE HAZARD

- Use only the correct wire sizes for the current capacity of the I/O channels and power supplies.
- For relay output (2 A) wiring, use conductors of at least 0.5 mm² (AWG 20) with a temperature rating of at least 80 °C (176 °F).
- For common conductors of relay output wiring (7 A), or relay output wiring greater than 2 A, use conductors of at least 1.0 mm² (AWG 16) with a temperature rating of at least 80 °C (176 °F).

Failure to follow these instructions will result in death or serious injury.

WARNING

UNINTENDED EQUIPMENT OPERATION

Do not exceed any of the rated values specified in the environmental and electrical characteristics tables.

Failure to follow these instructions can result in death, serious injury, or equipment damage.

Regular Transistor Output Characteristics

The following table describes the characteristics of the TM221M Logic Controller regular transistor outputs:

Characteristic		Value
Number of regular outputs		14 outputs
Number of channel groups		1 common line for Q0...Q15
Output type		Transistor
Logic type		Source
Rated output voltage		24 Vdc
Output voltage range		19.2...28.8 Vdc
Rated output current		0.1 A
Total output current (Q0...Q15)		1.6 A
Voltage drop		1 Vdc max
Leakage current when switched off		0.1 mA
Maximum power of filament lamp		2.4 W max
Derating		See Derating Curves (see page 344)
Turn on time	Q2...Q3	Max. 50 μ s
	Q4...Q15	Max. 300 μ s
Turn off time	Q2...Q3	Max. 50 μ s
	Q4...Q15	Max. 300 μ s
Protection against short circuit		Yes
Short circuit output peak current		0.25 A
Automatic rearming after short circuit or overload		Yes, every 1 s
Clamping voltage		Max. 39 Vdc \pm 1 Vdc
Switching frequency	Under resistive load	100 Hz max.
Isolation	Between output and internal logic	500 Vac
Connection type	TM221M32TK	HE10 (MIL 20) connectors
Connector insertion/removal durability		Over 100 times
Cable	Type	Unshielded
	Length	Max 30 m (98 ft)
<p>NOTE: Refer to Protecting Outputs from Inductive Load Damage (see page 106) for additional information concerning output protection.</p>		

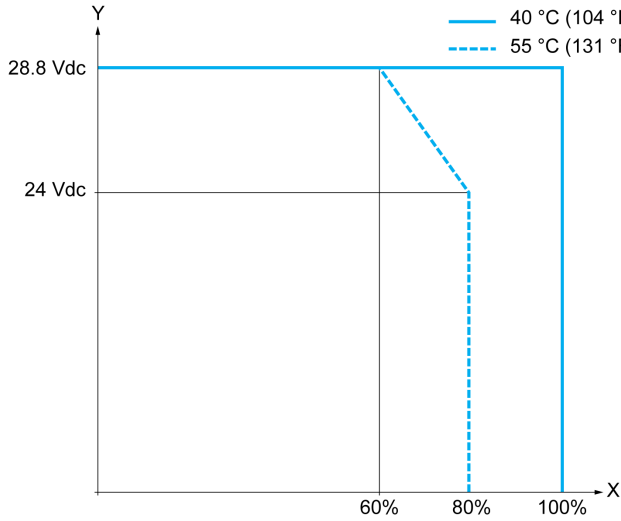
Fast Transistor Output Characteristics

The following table describes the characteristics of the TM221M Logic Controller fast transistor outputs:

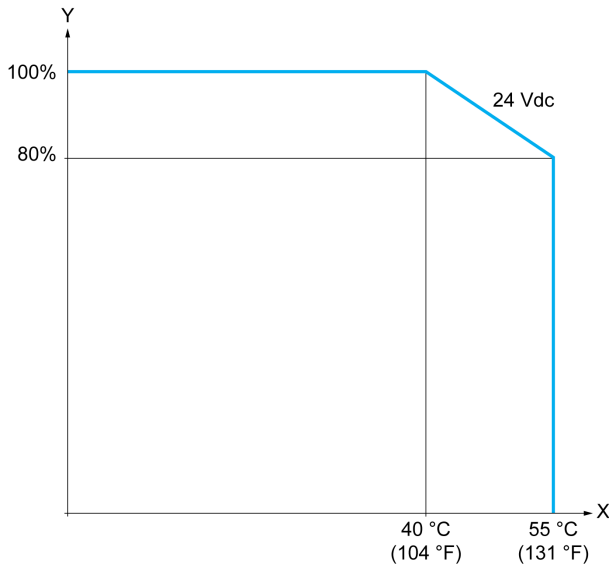
Characteristic		Value
Number of fast outputs		2 outputs (Q0, Q1)
Number of channel groups		1 common line for Q0...Q15
Output type		Transistor
Logic type		Source
Rated output voltage		24 Vdc
Output voltage range		19.2...28.8 Vdc
Rated output current		0.1 A
Total output current (Q0...Q15)		1.6 A
Maximum power of filament lamp		2.4 W max
Derating		See Derating Curves (see page 344)
Turn on time (10 mA < output current < 100 mA)		Max. 5 μ s
Turn off time (10 mA < output current < 100 mA)		Max. 5 μ s
Protection against short circuit		Yes
Short circuit output peak current		1.3 A max.
Automatic rearming after short circuit or overload		Yes, every 1 s
Protection against reverse polarity		Yes
Clamping voltage		Typ. 39 Vdc +/- 1 Vdc
Maximum output frequency	PWM	100 kHz
	PLS	100 kHz
Isolation	Between output and internal logic	500 Vac
Connection type	TM221M32TK	HE10 (MIL 20) connectors
Connector insertion/removal durability		Over 100 times
Cable	Type	Shielded, including 24 Vdc power supply
	Length	Maximum 3 m (9.84 ft)
NOTE: Refer to Protecting Outputs from Inductive Load Damage (see page 106) for additional information concerning output protection.		

Derating Curves

The following figures show the derating curves of the embedded digital outputs:



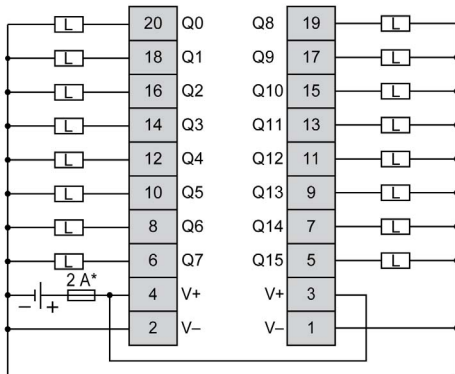
X Output simultaneous ON ratio
Y Output voltage



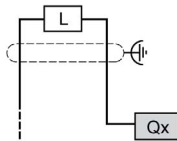
X Ambient temperature
Y Output simultaneous ON ratio

Wiring Diagram with Free-Wire Cable

The following figure presents the connection of the outputs to the load:



* Type T fuse



Qx Q0, Q1

For more information on the cable color for TWDFCW30K/TWDFCW50K, refer to TWDFCW••K Cable Description ([see page 51](#)).

TM221M32TK Analog Inputs

Overview

The M221 Logic Controllers have 2 analog inputs embedded.

DANGER

FIRE HAZARD

- Use only the correct wire sizes for the current capacity of the I/O channels and power supplies.
- For relay output (2 A) wiring, use conductors of at least 0.5 mm² (AWG 20) with a temperature rating of at least 80 °C (176 °F).
- For common conductors of relay output wiring (7 A), or relay output wiring greater than 2 A, use conductors of at least 1.0 mm² (AWG 16) with a temperature rating of at least 80 °C (176 °F).

Failure to follow these instructions will result in death or serious injury.

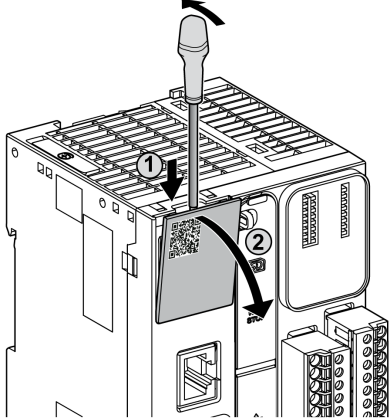
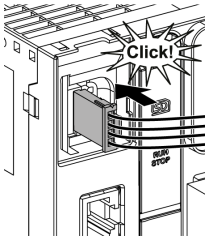
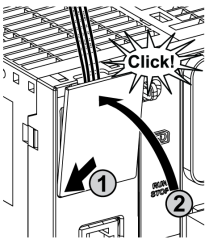
WARNING

UNINTENDED EQUIPMENT OPERATION

Do not exceed any of the rated values specified in the environmental and electrical characteristics tables.

Failure to follow these instructions can result in death, serious injury, or equipment damage.

The following procedure describes how to mount the analog cables:

Step	Action
1	<p>Use a screw-driver to remove the protective cover.</p> 
2	<p>Push until you hear it "click".</p> 
3	<p>Replace the protective cover.</p> 

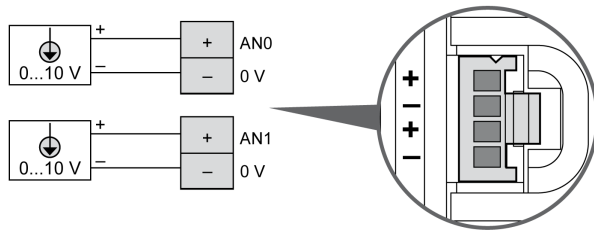
Analog Input Characteristics

The following table describes the characteristics of the M221 Logic Controller with analog inputs:

Characteristic		Voltage Input
Number of maximum inputs		2 inputs
Input type		Single-ended
Rated input range		0...+10 Vdc
Digital resolution		10 bits
Input value of LSB		10 mV
Input impedance		100 k Ω
Input delay time		12 ms
Sample duration time		1 ms per channel + 1 scan time
Accuracy		$\pm 1\%$ of the full scale
Noise resistance - maximum temporary deviation during perturbations		$\pm 5\%$ maximum of the full scale when EMC perturbation is applied to the power and I/O wiring
Isolation	Between input and internal logic	Not isolated
Connection type		Specific connector and cable (supplied)
Connector insertion/removal durability		Over 100 times
Cable	Type	Proprietary (supplied)
	Length	1 m (3.3 ft)

Wiring Diagram

The following figure shows the wiring diagram of the Modicon M221 Logic Controller analog inputs:



The (-) poles are connected internally.

Pin	Wire Color
AN0	Red
0 V	Black
AN1	Red
0 V	Black

For more information, refer to the Wiring Best Practices ([see page 102](#)).

Chapter 28

TM221ME32TK

Overview

This chapter describes the TM221ME32TK controller.

What Is in This Chapter?

This chapter contains the following topics:

Topic	Page
TM221ME32TK Presentation	352
TM221ME32TK Digital Inputs	356
TM221ME32TK Digital Outputs	361
TM221ME32TK Analog Inputs	366

TM221ME32TK Presentation

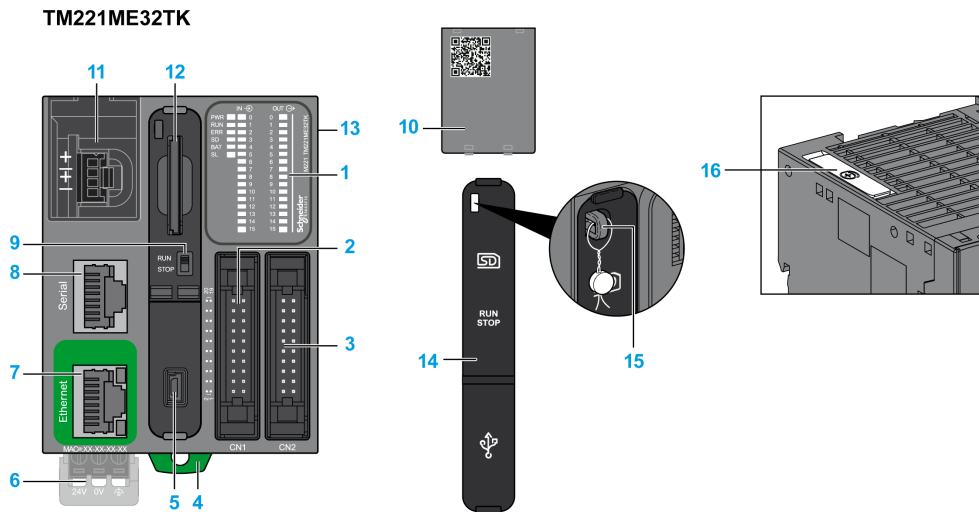
Overview

The following features are integrated into the TM221ME32TK (HE10) controllers:

- 16 digital inputs
 - 12 regular inputs
 - 4 fast inputs (HSC)
- 16 digital outputs
 - 14 regular transistor outputs
 - 2 fast transistor outputs
- 2 analog inputs
- Communication port
 - 1 serial line port
 - 1 USB mini-B programming port
 - 1 Ethernet port

Description

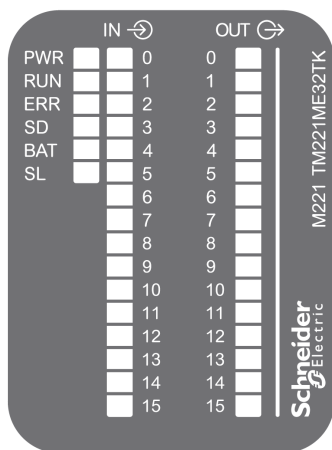
The following figure shows the different components of the controller:



N°	Description	Refer to
1	Status LEDs	–
2	Input HE10 (MIL20) connector	HE10 (MIL 20) connector cable list
3	Output HE10 (MIL20) connector	
4	Clip-on lock for 35 mm (1.38 in.) top hat section rail (DIN-rail)	DIN Rail (<i>see page 93</i>)
5	USB mini-B programming port / For terminal connection to a programming PC (SoMachine Basic)	USB mini-B programming port (<i>see page 374</i>)
6	24 Vdc power supply	Power supply (<i>see page 109</i>)
7	Ethernet port / RJ45 connector	Ethernet port (<i>see page 376</i>)
8	Serial line port 1 / RJ45 connector (RS-232 or RS-485)	Serial line 1 (<i>see page 379</i>)
9	Run/Stop switch	Run/Stop switch (<i>see page 69</i>)
10	Removable analog inputs cover	–
11	2 analog inputs	Analog Inputs (<i>see page 366</i>)
12	SD Card slot	SD Card Slot (<i>see page 72</i>)
13	I/O expansion connector	–
14	Protective cover (SD Card slot, Run/Stop switch and USB mini-B programming port)	–
15	Locking hook	–
16	Battery holder	Installing and Replacing the Battery (<i>see page 55</i>)

Status LEDs

The following figure shows the status LEDs:



The following table describes the status LEDs:

Label	Function Type	Color	Status	Description		
				Controller States ⁽¹⁾	Prg Port Communication	Application Execution
PWR	Power	Green	On	Indicates that power is applied.		
			Off	Indicates that power is removed.		
RUN	Machine Status	Green	On	Indicates that the controller is running a valid application.		
			Flashing	Indicates that the controller has a valid application that is stopped.		
			Off	Indicates that the controller is not programmed.		
ERR	Error	Red	On*	EXCEPTION	Restricted	NO
			Flashing (with RUN status LED Off)	INTERNAL ERROR	Restricted	NO
			Slow flash	Minor error detected ⁽²⁾	Yes	Depends on the RUN status LED
			1 single flash	No application	Yes	Yes
SD	SD Card Access (see page 72)	Green	On	Indicates that the SD card is being accessed.		
			Flashing	Indicates that an error was detected during the SD card operation.		
			Off	Indicates no access (idle) or no card is present.		
BAT	Battery (see page 54)	Red	On	Indicates that the battery needs to be replaced.		
			Flashing	Indicates that the battery charge is low.		
			Off	Indicates that the battery is OK.		
SL	Serial line 1 (see page 379)	Green	On	Indicates the status of Serial line 1.		
			Flashing	Indicates activity on Serial line 1.		
			Off	Indicates no serial communication.		

* ERR LED is also On during booting process.

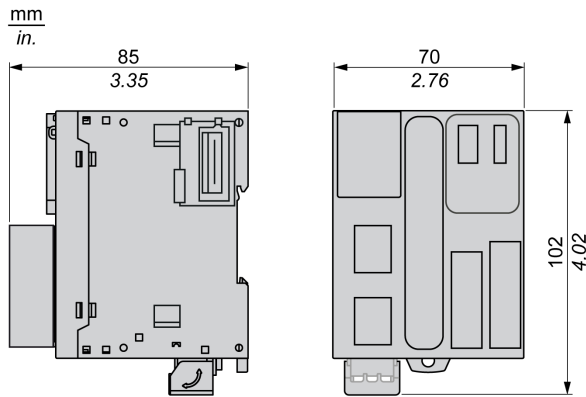
NOTE: For information about the LEDs integrated into the Ethernet connector, refer to Ethernet Status LEDs (see page 378)

(1) For more information about the controller state description, refer to the M221 Logic Controller - Programming Guide (see *Modicon M221, Logic Controller, Programming Guide*).

(2) The controller detected an error but remains in RUNNING state. The ERR LED on the controller flashes. For more information, refer to M221 Logic Controller - Programming Guide.

Dimensions

The following figure shows the external dimension controller:



TM221ME32TK Digital Inputs

Overview

This M221 Logic Controller has embedded digital inputs:

- 12 regular inputs
- 4 fast inputs which can be used as 100 kHz HSC inputs

For more information, refer to Input Management ([see page 61](#)).

DANGER

FIRE HAZARD

- Use only the correct wire sizes for the current capacity of the I/O channels and power supplies.
- For relay output (2 A) wiring, use conductors of at least 0.5 mm² (AWG 20) with a temperature rating of at least 80 °C (176 °F).
- For common conductors of relay output wiring (7 A), or relay output wiring greater than 2 A, use conductors of at least 1.0 mm² (AWG 16) with a temperature rating of at least 80 °C (176 °F).

Failure to follow these instructions will result in death or serious injury.

WARNING

UNINTENDED EQUIPMENT OPERATION

Do not exceed any of the rated values specified in the environmental and electrical characteristics tables.

Failure to follow these instructions can result in death, serious injury, or equipment damage.

Regular Input Characteristics

The following table describes the characteristics of the TM221M Logic Controller regular inputs:

Characteristic		Value
Number of regular inputs		12 inputs
Number of channel groups		1 common line for I0...I7 1 common line for I8...I15
Input type		Type 1 (IEC/EN 61131-2)
Logic type		Sink/Source
Rated input voltage		24 Vdc
Input voltage range		19.2...28.8 Vdc
Rated input current		7 mA
Input impedance		3.4 k Ω
Input limit values	Voltage at state 1	> 15 Vdc (15...28.8 Vdc)
	Voltage at state 0	< 5 Vdc (0...5 Vdc)
	Current at state 1	> 2.5 mA
	Current at state 0	< 1.0 mA
Derating		see Derating Curve (see page 358)
Turn on time		35 μ s + filter value ¹
Turn off time		I2...I5: 35 μ s ¹ I8...I15: 100 μ s ¹
Isolation	Between input and internal logic	500 Vac
Connection type		HE10 (MIL 20) connectors
Connector insertion/removal durability		Over 100 times
Cable	Type	Unshielded
	Length	Maximum 30 m (98 ft)
¹ For more information, refer to Integrator Filter Principle (see page 61)		

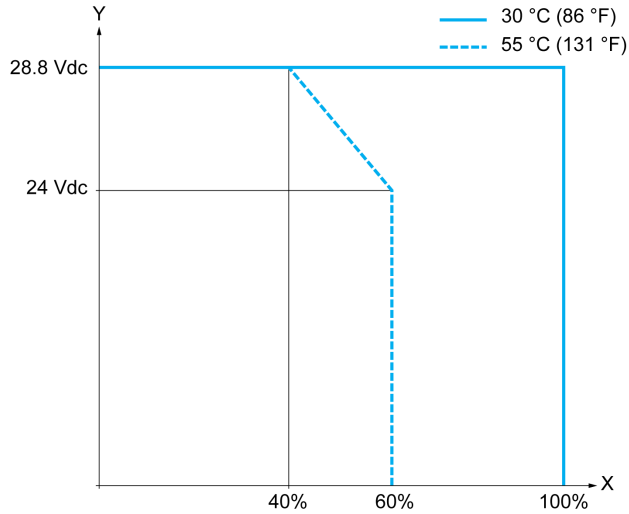
Fast Input Characteristics

The following table describes the characteristics of the TM221M Logic Controller fast inputs:

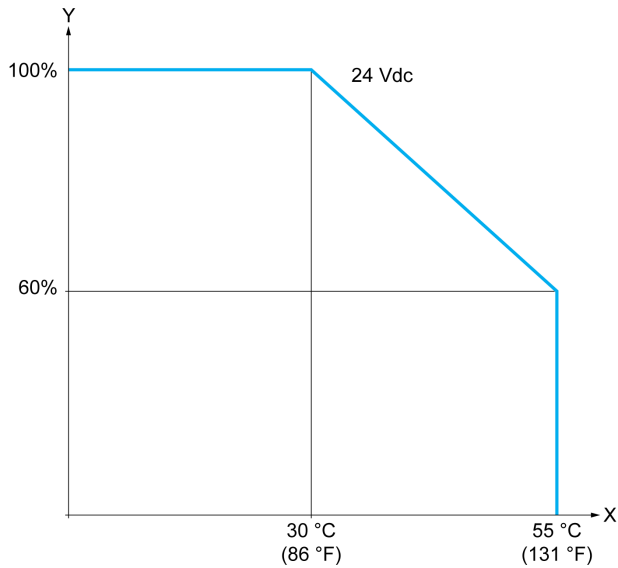
Characteristic		Value
Number of fast inputs		4 inputs (I0, I1, I6, I7)
Number of channel groups		1 common line for I0...I7
Input type		Type 1 (IEC/EN 61131-2)
Logic type		Sink/Source
Rated input voltage		24 Vdc
Input voltage range		19.2...28.8 Vdc
Rated input current		4.5 mA
Input impedance		4.9 kΩ
Input limit values	Voltage at state 1	> 15 Vdc (15...28.8 Vdc)
	Voltage at state 0	< 5 Vdc (0...5 Vdc)
	Current at state 1	> 2.5 mA
	Current at state 0	< 1.0 mA
Derating		see Derating Curve (see page 359)
Turn on time		5 μs + filter value ¹
Turn off time		5 μs + filter value ¹
HSC maximum frequency	Dual Phase	100 kHz
	Single phase	100 kHz
	Frequency Meter	100 kHz
HSC supported operation mode		<ul style="list-style-type: none"> ● Dual Phase [Pulse / Direction] ● Dual Phase [Quadrature X1] ● Dual Phase [Quadrature X2] ● Dual Phase [Quadrature X4] ● Single Phase ● Frequency Meter
Isolation	Between input and internal logic	500 Vac
	Between channel groups	500 Vac
Connection type	TM221ME32TK	HE10 (MIL 20) connector
Connector insertion/removal durability		Over 100 times
Cable	Type	Shielded, including the 24 Vdc power supply
	Length	Maximum 10 m (32.8 ft)
¹ For more information, refer to Integrator Filter Principle (see page 61)		

Derating Curves

The following figures show the derating curves of the embedded digital inputs:



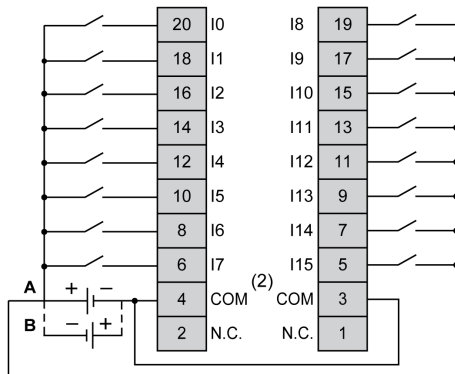
X Input simultaneous ON ratio
Y Input voltage



X Ambient temperature
Y Input simultaneous ON ratio

Wiring Diagram with Free-Wire Cable

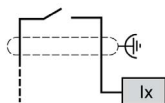
The following figure presents the connection of the inputs to the sensors:



(1) The COM terminals are **not** connected internally.

A Sink wiring (positive logic).

B Source wiring (negative logic).



Ix I0, I1, I6, I7

For more information on the cable color for TWDFCW30K/TWDFCW50K, refer to TWDFCW••K Cable Description ([see page 52](#)).

TM221ME32TK Digital Outputs

Overview

The TM221ME32TK has 16 digital outputs embedded:

- 14 regular transistor outputs
- 2 fast transistor outputs

For more information, refer to Output Management (*see page 65*).

DANGER

FIRE HAZARD

- Use only the correct wire sizes for the current capacity of the I/O channels and power supplies.
- For relay output (2 A) wiring, use conductors of at least 0.5 mm² (AWG 20) with a temperature rating of at least 80 °C (176 °F).
- For common conductors of relay output wiring (7 A), or relay output wiring greater than 2 A, use conductors of at least 1.0 mm² (AWG 16) with a temperature rating of at least 80 °C (176 °F).

Failure to follow these instructions will result in death or serious injury.

WARNING

UNINTENDED EQUIPMENT OPERATION

Do not exceed any of the rated values specified in the environmental and electrical characteristics tables.

Failure to follow these instructions can result in death, serious injury, or equipment damage.

Regular Transistor Output Characteristics

The following table describes the characteristics of the TM221M Logic Controller regular transistor outputs:

Characteristic		Value
Number of regular outputs		14 outputs
Number of channel groups		1 common line for Q0...Q15
Output type		Transistor
Logic type		Source
Rated output voltage		24 Vdc
Output voltage range		19.2...28.8 Vdc
Rated output current		0.1 A
Total output current (Q0...Q15)		1.6 A
Voltage drop		1 Vdc max
Leakage current when switched off		0.1 mA
Maximum power of filament lamp		2.4 W max
Derating		See Derating Curves (see page 364)
Turn on time	Q2...Q3	Max. 50 μ s
	Q4...Q15	Max. 300 μ s
Turn off time	Q2...Q3	Max. 50 μ s
	Q4...Q15	Max. 300 μ s
Protection against short circuit		Yes
Short circuit output peak current		0.25 A
Automatic rearming after short circuit or overload		Yes, every 1 s
Clamping voltage		Max. 39 Vdc \pm 1 Vdc
Switching frequency	Under resistive load	100 Hz max.
Isolation	Between output and internal logic	500 Vac
Connection type	TM221ME32TK	HE10 (MIL 20) connectors
Connector insertion/removal durability		Over 100 times
Cable	Type	Unshielded
	Length	Max 30 m (98 ft)
<p>NOTE: Refer to Protecting Outputs from Inductive Load Damage (see page 106) for additional information concerning output protection.</p>		

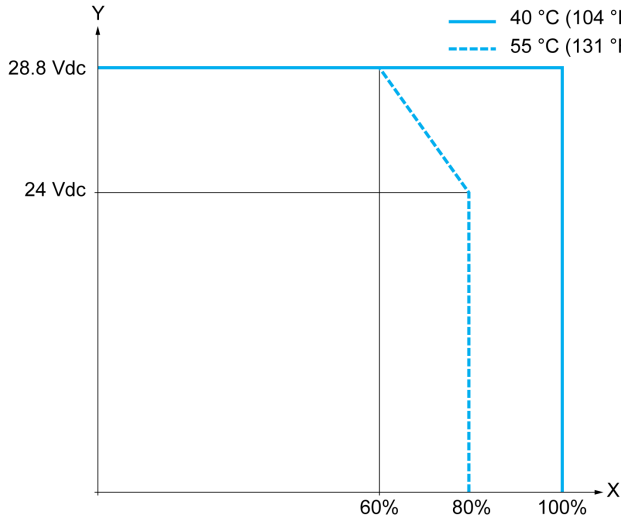
Fast Transistor Output Characteristics

The following table describes the characteristics of the TM221M Logic Controller fast transistor outputs:

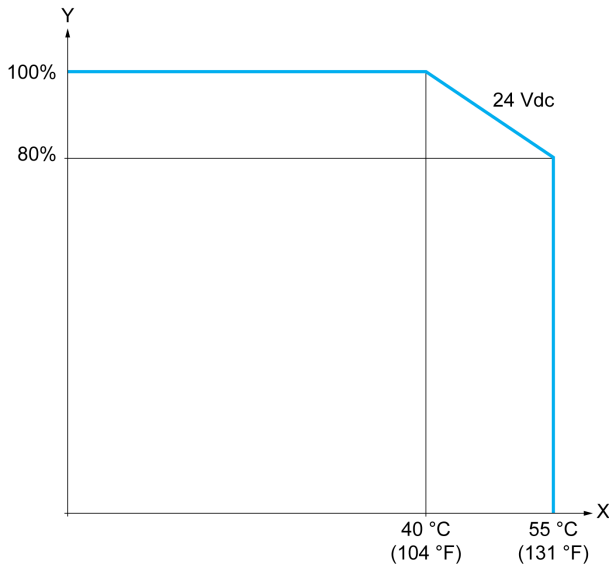
Characteristic		Value
Number of fast outputs		2 outputs (Q0, Q1)
Number of channel groups		1 common line for Q0...Q15
Output type		Transistor
Logic type		Source
Rated output voltage		24 Vdc
Output voltage range		19.2...28.8 Vdc
Rated output current		0.1 A
Total output current (Q0...Q15)		1.6 A
Maximum power of filament lamp		2.4 W max
Derating		See Derating Curves (see page 364)
Turn on time (10 mA < output current < 100 mA)		Max. 5 μ s
Turn off time (10 mA < output current < 100 mA)		Max. 5 μ s
Protection against short circuit		Yes
Short circuit output peak current		1.3 A max.
Automatic rearming after short circuit or overload		Yes, every 1 s
Protection against reverse polarity		Yes
Clamping voltage		Typ. 39 Vdc +/- 1 Vdc
Maximum output frequency	PLS/PWM/PTO	100 kHz
Isolation	Between output and internal logic	500 Vac
Connection type	TM221ME32TK	HE10 (MIL 20) connectors
Connector insertion/removal durability		Over 100 times
Cable	Type	Shielded, including 24 Vdc power supply
	Length	Maximum 3 m (9.84 ft)
NOTE: Refer to Protecting Outputs from Inductive Load Damage (see page 106) for additional information concerning output protection.		

Derating Curves

The following figures show the derating curves of the embedded digital outputs:



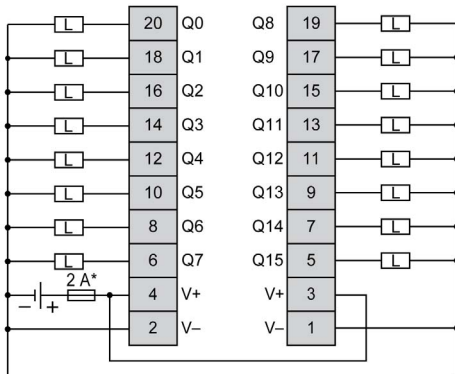
X Output simultaneous ON ratio
Y Output voltage



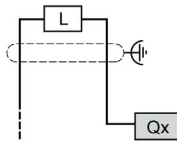
X Ambient temperature
Y Output simultaneous ON ratio

Wiring Diagram with Free-Wire Cable

The following figure presents the connection of the outputs to the load:



* Type T fuse



Qx Q0, Q1

For more information on the cable color for TWDFCW30K/TWDFCW50K, refer to TWDFCW••K Cable Description ([see page 51](#)).

TM221ME32TK Analog Inputs

Overview

The M221 Logic Controllers have 2 analog inputs embedded.

DANGER

FIRE HAZARD

- Use only the correct wire sizes for the current capacity of the I/O channels and power supplies.
- For relay output (2 A) wiring, use conductors of at least 0.5 mm² (AWG 20) with a temperature rating of at least 80 °C (176 °F).
- For common conductors of relay output wiring (7 A), or relay output wiring greater than 2 A, use conductors of at least 1.0 mm² (AWG 16) with a temperature rating of at least 80 °C (176 °F).

Failure to follow these instructions will result in death or serious injury.

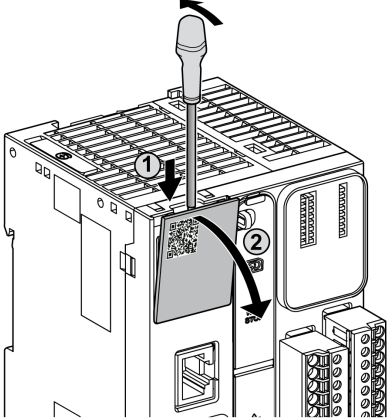
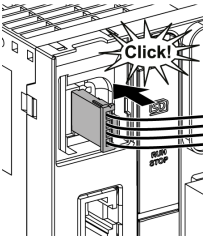
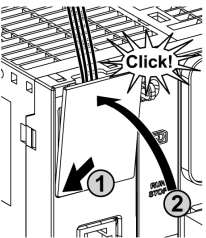
WARNING

UNINTENDED EQUIPMENT OPERATION

Do not exceed any of the rated values specified in the environmental and electrical characteristics tables.

Failure to follow these instructions can result in death, serious injury, or equipment damage.

The following procedure describes how to mount the analog cables:

Step	Action
1	<p>Use a screw-driver to remove the protective cover.</p> 
2	<p>Push until you hear it "click".</p> 
3	<p>Replace the protective cover.</p> 

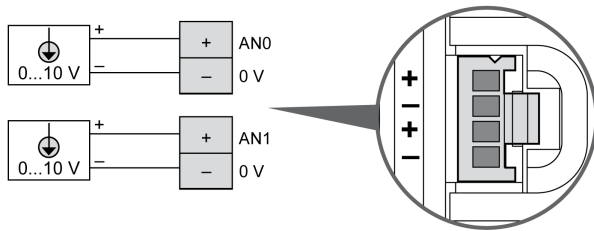
Analog Input Characteristics

The following table describes the characteristics of the M221 Logic Controller with analog inputs:

Characteristic		Voltage Input
Number of maximum inputs		2 inputs
Input type		Single-ended
Rated input range		0...+10 Vdc
Digital resolution		10 bits
Input value of LSB		10 mV
Input impedance		100 k Ω
Input delay time		12 ms
Sample duration time		1 ms per channel + 1 scan time
Accuracy		$\pm 1\%$ of the full scale
Noise resistance - maximum temporary deviation during perturbations		$\pm 5\%$ maximum of the full scale when EMC perturbation is applied to the power and I/O wiring
Isolation	Between input and internal logic	Not isolated
Connection type		Specific connector and cable (supplied)
Connector insertion/removal durability		Over 100 times
Cable	Type	Proprietary (supplied)
	Length	1 m (3.3 ft)

Wiring Diagram

The following figure shows the wiring diagram of the Modicon M221 Logic Controller analog inputs:



The (-) poles are connected internally.

Pin	Wire Color
AN0	Red
0 V	Black
AN1	Red
0 V	Black

For more information, refer to the Wiring Best Practices ([see page 102](#)).

Part IV

Modicon M221 Logic Controller Communication

What Is in This Part?

This part contains the following chapters:

Chapter	Chapter Name	Page
29	Integrated Communication Ports	373
30	Connecting the M221 Logic Controller to a PC	387

Chapter 29

Integrated Communication Ports

What Is in This Chapter?

This chapter contains the following topics:

Topic	Page
USB Mini-B Programming Port	374
Ethernet Port	376
Serial Line 1	379
Serial Line 2	383

USB Mini-B Programming Port

Overview

The USB Mini-B Port is the programming port you can use to connect a PC with a USB host port using SoMachine Basic software. Using a typical USB cable, this connection is suitable for quick updates of the program or short duration connections to perform maintenance and inspect data values. It is not suitable for long-term connections such as commissioning or monitoring without the use of specially adapted cables to help minimize electromagnetic interference.

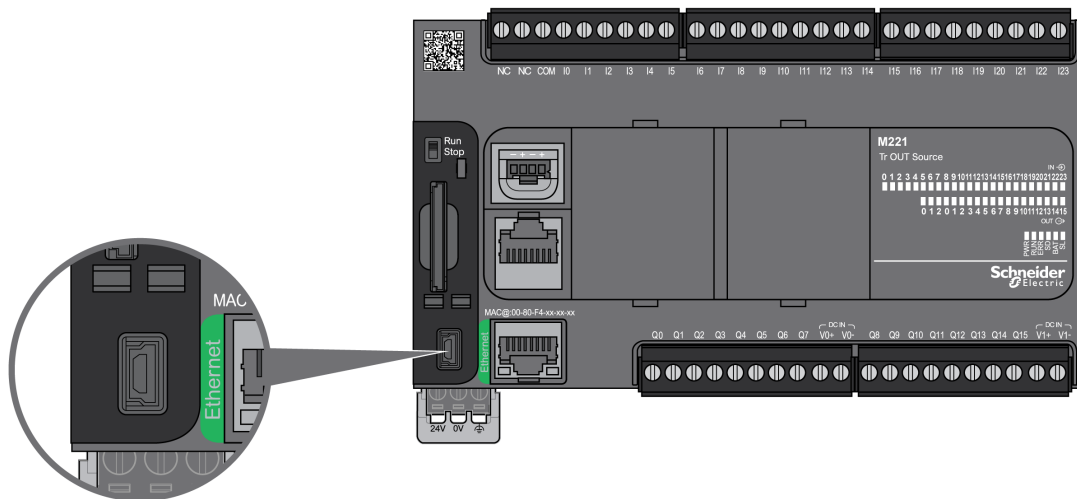
⚠ WARNING

UNINTENDED EQUIPMENT OPERATION OR INOPERABLE EQUIPMENT

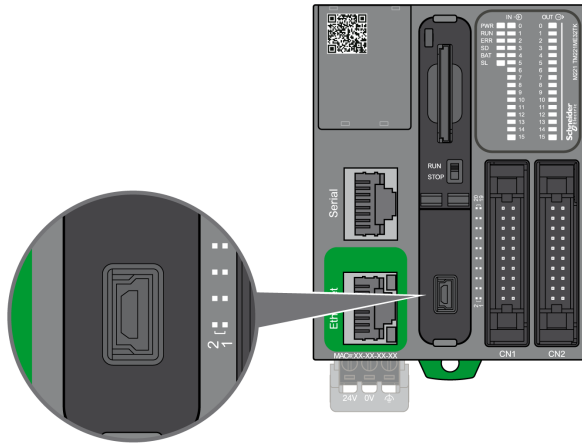
- You must use a shielded USB cable such as a BMX XCAUSBH0** secured to the functional ground (FE) of the system for any long-term connection.
- Do not connect more than one controller at a time using USB connections.

Failure to follow these instructions can result in death, serious injury, or equipment damage.

The following figure shows the location of the USB Mini-B programming port on the TM221C Logic Controller:



The following figure shows the location of the USB Mini-B programming port on the TM221M Logic Controller:



Characteristics

This table describes the characteristics of the USB Mini-B programming port:

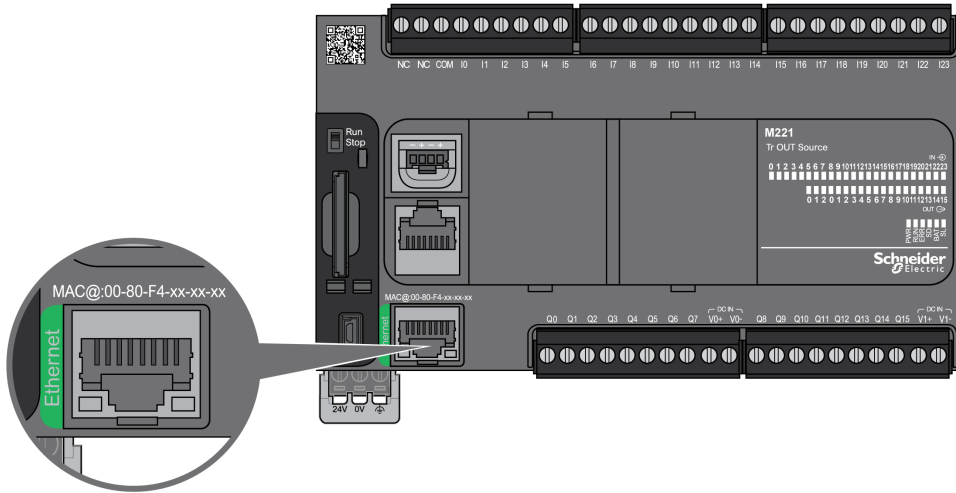
Parameter	USB Programming Port
Function	Compatible with USB 2.0
Connector type	Mini-B
Isolation	None
Cable type	Shielded

Ethernet Port

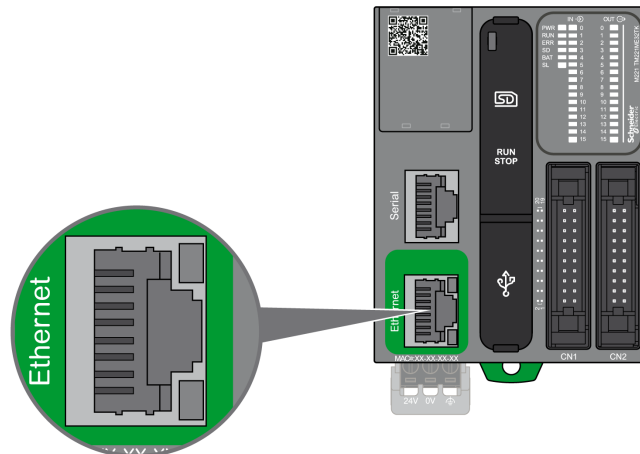
Overview

The TM221•E... are equipped with an Ethernet communication port.

The following figure presents the location of the Ethernet port on the TM221C Logic Controller:



The following figure presents the location of the Ethernet port on the TM221M Logic Controller:



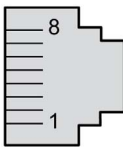
Characteristics

The following table describes Ethernet characteristics:

Characteristic	Description
Function	Modbus TCP/IP
Connector type	RJ45
Driver	<ul style="list-style-type: none"> ● 10 M half duplex (auto negotiation) ● 100 M full duplex (auto negotiation)
Cable type	Shielded
Automatic cross-over detection	Yes

Pin Assignment

The following figure presents the RJ45 Ethernet connector pin assignment:



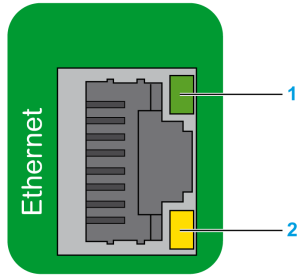
The following table describes the RJ45 Ethernet connector pins:

Pin N°	Signal
1	TD+
2	TD-
3	RD+
4	-
5	-
6	RD-
7	-
8	-

NOTE: The controller supports the MDI/MDIX auto-crossover cable function. It is not necessary to use special Ethernet crossover cables to connect devices directly to this port (connections without an Ethernet hub or switch).

Status LED

The following figures show the RJ45 connector status LED:



The following table describes the Ethernet status LEDs:

Label	Description	LED		
		Color	Status	Description
1: ACT	Ethernet activity	Green	Off	No activity
			Flashing	Activity
2: LINK	Ethernet link	Yellow	Off	No link
			On	Link

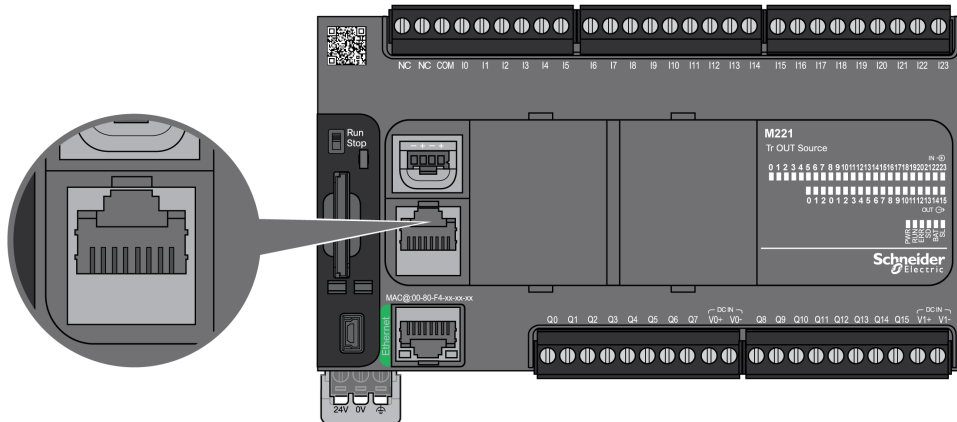
Serial Line 1

Overview

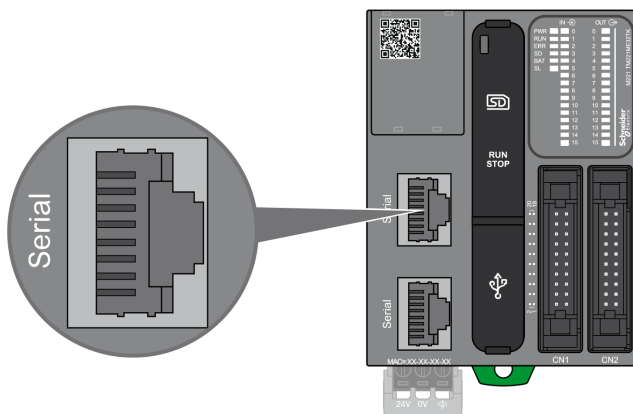
The serial line 1:

- can be used to communicate with devices supporting the Modbus protocol as either master or slave, ASCII protocol (printer, modem...) and SoMachine Basic Protocol (HMI,...).
- provides a 5 Vdc power distribution.

The following figure shows the location of the serial line 1 port on the TM221C Logic Controller:



The following figure shows the location of the serial line 1 port on the TM221M Logic Controller:



Characteristics

Characteristic		Description
Function		RS485 or RS232 software configured
Connector type		RJ45
Isolation		Non-isolated
Maximum baud rate		1200 up to 115 200 bps
Cable	Type	Shielded
	Maximum length	15 m (49 ft) for RS485 3 m (9.84 ft) for RS232
Polarization		Software configuration is used to connect when the node is configured as a Master. 560 Ω resistors are optional.
5 Vdc power supply for RS485		Yes

NOTE: Some devices provide voltage on RS485 serial connections. Do not connect these voltage lines to your controller as they may damage the controller serial port electronics and render the serial port inoperable.

NOTICE

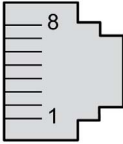
INOPERABLE EQUIPMENT

Use only the VW3A8306R** serial cable to connect RS485 devices to your controller.

Failure to follow these instructions can result in equipment damage.

Pin Assignment

The following figure shows the pins of the RJ45 connector:



The table below describes the pin assignment of the RJ45 connector:

Pin	RS232	RS485
1	RxD	N.C.
2	TxD	N.C.
3	RTS	N.C.
4	N.C.	D1
5	N.C.	D0
6	CTS	N.C.
7	N.C.*	5 Vdc
8	Common	Common

* 5 Vdc delivered by the controller. Do not connect.

CTS: Clear To Send

N.C.: No Connection

RTS: Ready To Send

RxD: Received Data

TxD: Transmitted Data

⚠ WARNING

UNINTENDED EQUIPMENT OPERATION

Do not connect wires to unused terminals and/or terminals indicated as “No Connection (N.C.)”.

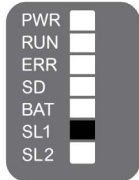
Failure to follow these instructions can result in death, serious injury, or equipment damage.

Status LED

The following figure shows the serial line 1 status LED of the TM221C Logic Controller:



The following figure shows the serial line 1 status LED of the TM221M Logic Controller:



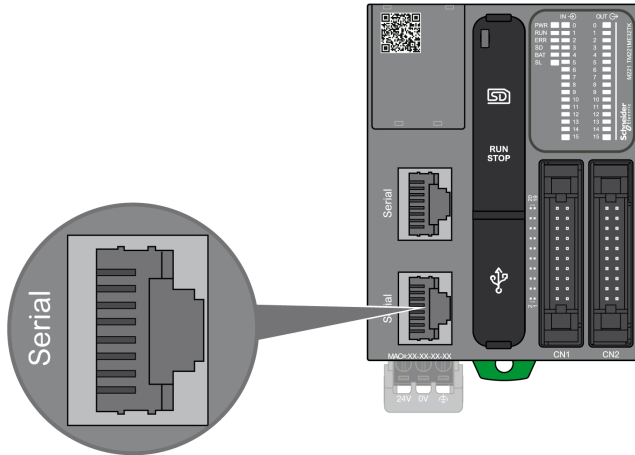
The table below describes the status LED of the serial line 1:

Label	Description	LED		
		Color	Status	Description
SL1	Serial Line 1	Green	On	Indicates the activity of the serial line 1
			Off	Indicates no serial communication

Serial Line 2

Overview

The serial line 2 is used to communicate with devices supporting the Modbus protocol as either a master or slave and ASCII Protocol (printer, modem...) and supports RS485 and terminal block.

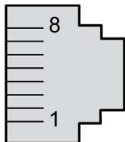


Characteristics

Characteristic		Description
Function		RS485 software configured
Connector type		RJ45
Isolation		Non-isolated
Maximum baud rate		1200 up to 115 200 bps
Cable	Type	Shielded
	Maximum length	15 m (49 ft) for RS485
Polarization		Software configuration is used to connect when the node is configured as a Master. 560 Ω resistors are optional.
5 Vdc power supply for RS485		No

Pin Assignment

The following figure presents the pins of the RJ45 connector:



The table below describes the pin assignment for RS485:

Pin	RS485	Description
1	N.C.	No connection
2	N.C.	No connection
3	N.C.	No connection
4	D1	Modbus SL: D1 (+/B) RS-485 2-wire
5	D0	Modbus SL: D0 (-/A) RS-485 2-wire
6	N.C.	No connection
7	N.C.	No connection
8	Common	Common

⚠ WARNING

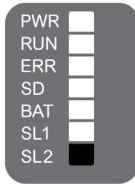
UNINTENDED EQUIPMENT OPERATION

Do not connect wires to unused terminals and/or terminals indicated as “No Connection (N.C.)”.

Failure to follow these instructions can result in death, serious injury, or equipment damage.

Status LED

The following graphic presents the status LED:



The table below describes the serial line 2 status LED:

Label	Description	LED		
		Color	Status	Description
SL2	Serial Line 2	Green	On	Indicates the activity of the serial line 2.
			Off	Indicates no serial communication.

Chapter 30

Connecting the M221 Logic Controller to a PC

Connecting the Controller to a PC

Overview

To transfer, run, and monitor the applications, connect the controller to a computer, that has SoMachine Basic 1.0 or later installed, using either a USB cable or an Ethernet connection (for those references that support an Ethernet port).

NOTICE

INOPERABLE EQUIPMENT

Always connect the communication cable to the PC before connecting it to the controller.

Failure to follow these instructions can result in equipment damage.

USB Mini-B Port Connection

TCSXCNAMUM3P: This USB cable is suitable for short duration connections such as quick updates or retrieving data values.

BMXXCAUSBH018: Grounded and shielded, this USB cable is suitable for long duration connections on a TM221C Logic Controller.

BMXXCAUSBH045: Grounded and shielded, this USB cable is suitable for long duration connections on a TM221M Logic Controller.

NOTE: You can only connect 1 controller or any other device associated with SoMachine Basic and its component to the PC at any one time.

WARNING

INSUFFICIENT POWER FOR USB DOWNLOAD

Do not use a USB cable longer than 3m (9.8 ft) for USB powered download.

Failure to follow these instructions can result in death, serious injury, or equipment damage.

The USB Mini-B Port is the programming port you can use to connect a PC with a USB host port using SoMachine Basic software. Using a typical USB cable, this connection is suitable for quick updates of the program or short duration connections to perform maintenance and inspect data values. It is not suitable for long-term connections such as commissioning or monitoring without the use of specially adapted cables to help minimize electromagnetic interference.

⚠ WARNING

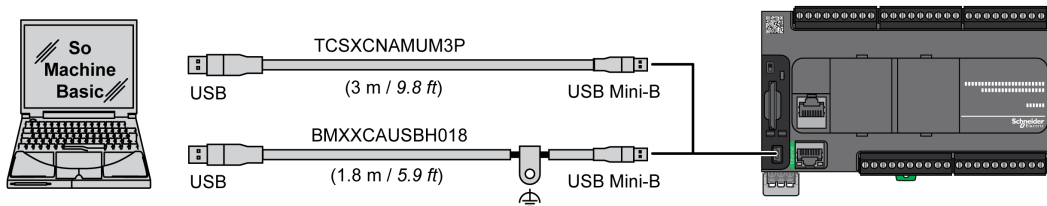
UNINTENDED EQUIPMENT OPERATION OR INOPERABLE EQUIPMENT

- You must use a shielded USB cable such as a BMX XCAUSBH0** secured to the functional ground (FE) of the system for any long-term connection.
- Do not connect more than one controller at a time using USB connections.

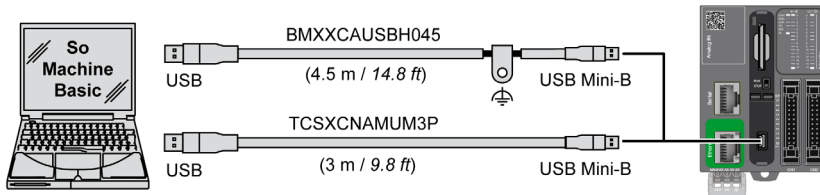
Failure to follow these instructions can result in death, serious injury, or equipment damage.

The communication cable should be connected to the PC first to minimize the possibility of electrostatic discharge affecting the controller.

The following illustration shows the USB connection to a PC on a TM221C Logic Controller:



The following illustration shows the USB connection to a PC on a TM221M Logic Controller:



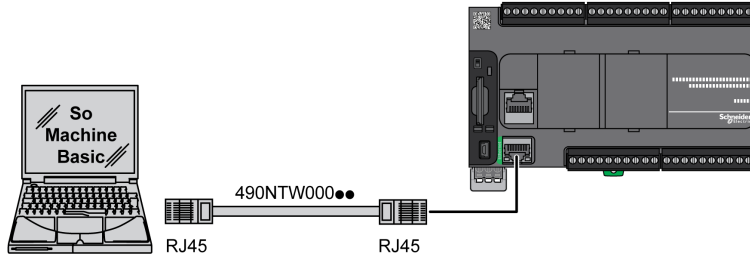
To connect the USB cable to your controller, follow the steps below:

Step	Action
1	<p>1a If making a long-term connection using the cable BMXXCAUSBH045, or other cable with a ground shield connection, be sure to securely connect the shield connector to the functional ground (FE) or protective ground (PE) of your system before connecting the cable to your controller and your PC.</p> <p>1b If making a short-term connection using the cable TCSXCNAMUM3P or other non-grounded USB cable, proceed to step 2.</p>
2	Connect your USB cable to the computer.
3	Open the hinged access cover.
4	Connect the Mini connector of your USB cable to the controller USB connector.

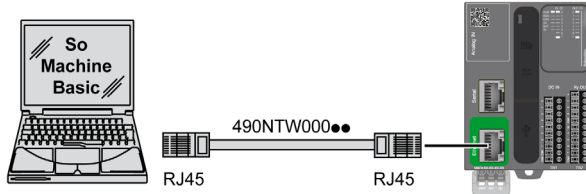
Ethernet Port Connection

You can also connect the controller to a PC using an Ethernet cable.

The following illustration shows the Ethernet connection to a PC on a TM221C Logic Controller:



The following illustration shows the Ethernet connection to a PC on a TM221M Logic Controller:



To connect the controller to the PC, do the following:

Step	Action
1	Connect your Ethernet cable to the PC.
2	Connect your Ethernet cable to the Ethernet port on the controller.



A

analog input

Converts received voltage or current levels into numerical values. You can store and process these values within the logic controller.

ASCII

(American standard code for Information Interchange) A protocol for representing alphanumeric characters (letters, numbers, certain graphics, and control characters).

B

bps

(bit per second) A definition of transmission rate, also given in conjunction with multiplier kilo (kbps) and mega (mbps).

C

CTS

(clear to send) A data transmission signal and acknowledges the RDS signal from the transmitting station.

CW/CCW

ClockWise / Counter ClockWise

D

DIN

(Deutsches Institut für Normung) A German institution that sets engineering and dimensional standards.

E

EIA rack

(*electronic industries alliance rack*) A standardized (EIA 310-D, IEC 60297, and DIN 41494 SC48D) system for mounting various electronic modules in a stack or rack that is 19 inches (482.6 mm) wide.

EN

EN identifies one of many European standards maintained by CEN (*European Committee for Standardization*), CENELEC (*European Committee for Electrotechnical Standardization*), or ETSI (*European Telecommunications Standards Institute*).

F

FE

(*functional Earth*) A common grounding connection to enhance or otherwise allow normal operation of electrically sensitive equipment (also referred to as functional ground in North America).

In contrast to a protective Earth (protective ground), a functional earth connection serves a purpose other than shock protection, and may normally carry current. Examples of devices that use functional earth connections include surge suppressors and electromagnetic interference filters, certain antennas, and measurement instruments.

G

GRAFCET

The functioning of a sequential operation in a structured and graphic form.

This is an analytical method that divides any sequential control system into a series of steps, with which actions, transitions, and conditions are associated.

H

HE10

Rectangular connector for electrical signals with frequencies below 3 MHz, complying with IEC 60807-2.

I**IEC**

(international electrotechnical commission) A non-profit and non-governmental international standards organization that prepares and publishes international standards for electrical, electronic, and related technologies.

IEC 61131-3

Part 3 of a 3-part IEC standard for industrial automation equipment. IEC 61131-3 is concerned with controller programming languages and defines 2 graphical and 2 textual programming language standards. The graphical programming languages are ladder diagram and function block diagram. The textual programming languages include structured text and instruction list.

IL

(instruction list) A program written in the language that is composed of a series of text-based instructions executed sequentially by the controller. Each instruction includes a line number, an instruction code, and an operand (refer to IEC 61131-3).

instruction list language

A program written in the instruction list language that is composed of a series of text-based instructions executed sequentially by the controller. Each instruction includes a line number, an instruction code, and an operand (see IEC 61131-3).

IP 20

(ingress protection) The protection classification according to IEC 60529 offered by an enclosure, shown by the letter IP and 2 digits. The first digit indicates 2 factors: helping protect persons and for equipment. The second digit indicates helping protect against water. IP 20 devices help protect against electric contact of objects larger than 12.5 mm, but not against water.

L**ladder diagram language**

A graphical representation of the instructions of a controller program with symbols for contacts, coils, and blocks in a series of rungs executed sequentially by a controller (see IEC 61131-3).

LD

(ladder diagram) A graphical representation of the instructions of a controller program with symbols for contacts, coils, and blocks in a series of rungs executed sequentially by a controller (refer to IEC 61131-3).

M**Modbus**

The protocol that allows communications between many devices connected to the same network.

N

NEMA

(*national electrical manufacturers association*) The standard for the performance of various classes of electrical enclosures. The NEMA standards cover corrosion resistance, ability to help protect from rain, submersion, and so on. For IEC member countries, the IEC 60529 standard classifies the ingress protection rating for enclosures.

P

PE

(*Protective Earth*) A common grounding connection to help avoid the hazard of electric shock by keeping any exposed conductive surface of a device at earth potential. To avoid possible voltage drop, no current is allowed to flow in this conductor (also referred to as *protective ground* in North America or as an equipment grounding conductor in the US national electrical code).

R

RJ45

A standard type of 8-pin connector for network cables defined for Ethernet.

RS-485

A standard type of serial communication bus, based on 2 wires (also known as EIA RS-485).

RTS

(*request to send*) A data transmission signal and CTS signal that acknowledges the RTS from the destination node.

RxD

The line that receives data from one source to another.

S

SFC

(*sequential function chart*) A language that is composed of steps with associated actions, transitions with associated logic condition, and directed links between steps and transitions. (The SFC standard is defined in IEC 848. It is IEC 61131-3 compliant.)

T**terminal block**

(*terminal block*) The component that mounts in an electronic module and provides electrical connections between the controller and the field devices.

TxD

The line that sends data from one source to another.



Symbols

Short-circuit or Over-current on Sink Transistor Outputs, 68

A

accessories, 49
analog input modules
 specifications, 40
analog mixed I/O modules
 specifications, 42
analog output modules
 specifications, 41

C

certifications and standards, 82
Communication Ports, 373
 Ethernet Port, 376
 Serial Line 1, 379
 Serial Line 2, 383
 USB Programming Port, 374

D

digital I/O modules
 specifications, 36, 37, 39, 45, 46
Digital I/O modules
 Specifications, 46

E

Electrical Requirements
 Installation, 101
Electromagnetic Susceptibility, 81

F

fallback
 configuring modes, 66

features

 key features, 20, 25

Filter

 Bounce Filter, 61

G

Grounding, 117

I

inductive load, output protection
 output protection, inductive load, 106
Input Management, 61
Installation, 77
 Electrical Requirements, 101
 Logic Controller Installation, 83

L

Latching, 62
Logic Controller Installation
 Installation, 83

M

M221

- TM221C16R, 123
- TM221C16T, 131
- TM221C16U, 141
- TM221C24R, 151
- TM221C24T, 159
- TM221C24U, 167
- TM221C40R, 179
- TM221C40T, 191
- TM221C40U, 203
- TM221CE16R, 127
- TM221CE16T, 135
- TM221CE16U, 145
- TM221CE24R, 155
- TM221CE24T, 163
- TM221CE24U, 173
- TM221CE40R, 185
- TM221CE40T, 197
- TM221CE40U, 209
- TM221M16R / TM221M16RG, 255
- TM221M16T, 291
- TM221M32TK, 331
- TM221ME16R / TM221ME16RG, 273
- TM221ME16T / TM221ME16TG, 311
- TM221ME32TK, 351

M221 I/O

- Environmental Characteristics, 79

mounting positions, 87, 90

N

notice

- loss of application data, 72

O

output management, 65

P

Power Supply, 109, 114

presentation

- TM221M16R / TM221M16RG, 256
- TM221M16T / TM221M16TG, 292
- TM221M32TK, 332
- TM221ME16R / TM221ME16RG, 274
- TM221ME16T / TM221ME16TG, 312
- TM221ME32TK, 352

programming languages

- IL, LD, 25
- IL, LD, Grafcet, 20

R

- real time clock, 54
- regular inputs, 36, 37, 39
- regular transistor outputs, 36, 37, 39
- relay outputs, 36, 37, 39
- Run/Stop, 69

S

SD Card, 72

Serial Line 1

- Communication Ports, 379

Serial Line 2

- Communication Ports, 383

short-circuit or over-current on relay outputs, 68

short-circuit or over-current on transistor outputs, 67

specifications

- analog input modules, 40
- analog mixed I/O modules, 42
- analog output modules, 41
- digital I/O modules, 36, 37, 39, 45

Specifications

- Digital I/O modules, 46, 46

specifications

- modules, 43
- transmitter and receiver modules, 44

T

Tesys modules

- specifications, 43

TM221C16R, 123, 123
TM221C16T, 131, 131, 203
TM221C16U, 141, 141
TM221C24R, 151
TM221C24T, 159, 159
TM221C24U, 167, 167
TM221C40R, 179, 179
TM221C40T, 191, 191
TM221C40U, 203
TM221CE16R, 127
TM221CE16T, 135, 135
TM221CE16U, 145, 145
TM221CE24R, 151, 155, 155
TM221CE24T, 163, 163
TM221CE24U, 173, 173
TM221CE40R, 185, 185
TM221CE40T, 197, 197
TM221CE40U, 209, 209
TMC2, 34
transmitter and receiver modules
 specifications, 44

U

USB Programming Port
 Communication Ports, 374

W

wiring, 102

