
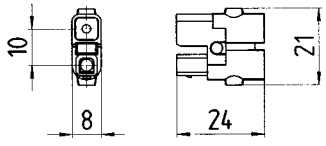

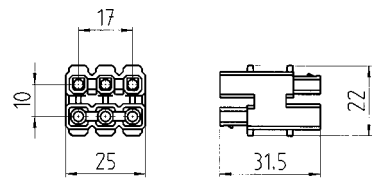


Low-voltage halogen 2 pole, 48V, 25A

<p>Screw connection without strain relief</p> 	<table border="1"> <thead> <tr> <th>Name</th> <th>Color</th> <th>Part no.</th> </tr> </thead> <tbody> <tr> <td>ST16/2 BS</td> <td>white</td> <td>93.016.0053.0</td> </tr> </tbody> </table>  <p>without strain relief</p> <table border="1"> <tbody> <tr> <td>Cables</td> <td>0.5 – 2.5 mm² ¹⁾</td> </tr> <tr> <td>Locking device</td> <td>integrated in housing</td> </tr> </tbody> </table>	Name	Color	Part no.	ST16/2 BS	white	93.016.0053.0	Cables	0.5 – 2.5 mm ² ¹⁾	Locking device	integrated in housing					
Name	Color	Part no.														
ST16/2 BS	white	93.016.0053.0														
Cables	0.5 – 2.5 mm ² ¹⁾															
Locking device	integrated in housing															
<p>Distribution unit pluggable</p> 	<table border="1"> <thead> <tr> <th>Name</th> <th>Color</th> <th>Part no.</th> </tr> </thead> <tbody> <tr> <td>ST 16/2 VT 5/1 P</td> <td>white</td> <td>93.010.0153.0</td> </tr> </tbody> </table>  <p>with locking device, pluggable, without mounting option</p> <table border="1"> <tbody> <tr> <td>Input</td> <td>1</td> </tr> <tr> <td>Outputs</td> <td>5</td> </tr> </tbody> </table>	Name	Color	Part no.	ST 16/2 VT 5/1 P	white	93.010.0153.0	Input	1	Outputs	5					
Name	Color	Part no.														
ST 16/2 VT 5/1 P	white	93.010.0153.0														
Input	1															
Outputs	5															
<p>Blade-type fuse</p>	<table border="1"> <thead> <tr> <th>Name</th> <th>Color</th> <th>Part no.</th> </tr> </thead> <tbody> <tr> <td>Blade-type fuse 3.0 A</td> <td>purple</td> <td>Z8.000.0175.5</td> </tr> <tr> <td>Blade-type fuse 5.0 A</td> <td>light brown</td> <td>Z8.000.0175.7</td> </tr> <tr> <td>Blade-type fuse 10.0 A</td> <td>red</td> <td>Z8.000.0175.9</td> </tr> <tr> <td>Blade-type fuse 15.0 A</td> <td>light blue</td> <td>Z8.000.0176.0</td> </tr> </tbody> </table> <p>Blade-type fuses Type C according to DIN 72581 part 3</p>	Name	Color	Part no.	Blade-type fuse 3.0 A	purple	Z8.000.0175.5	Blade-type fuse 5.0 A	light brown	Z8.000.0175.7	Blade-type fuse 10.0 A	red	Z8.000.0175.9	Blade-type fuse 15.0 A	light blue	Z8.000.0176.0
Name	Color	Part no.														
Blade-type fuse 3.0 A	purple	Z8.000.0175.5														
Blade-type fuse 5.0 A	light brown	Z8.000.0175.7														
Blade-type fuse 10.0 A	red	Z8.000.0175.9														
Blade-type fuse 15.0 A	light blue	Z8.000.0176.0														

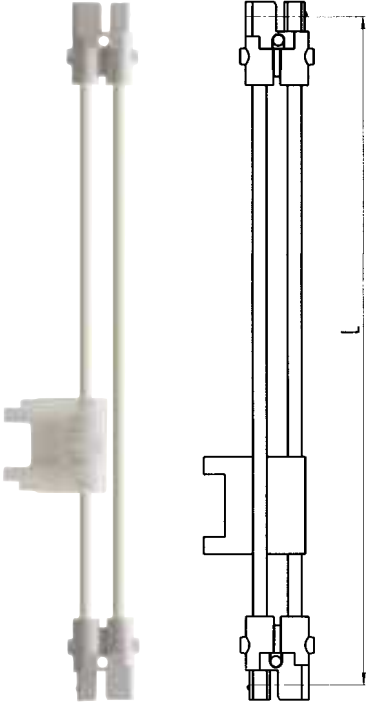
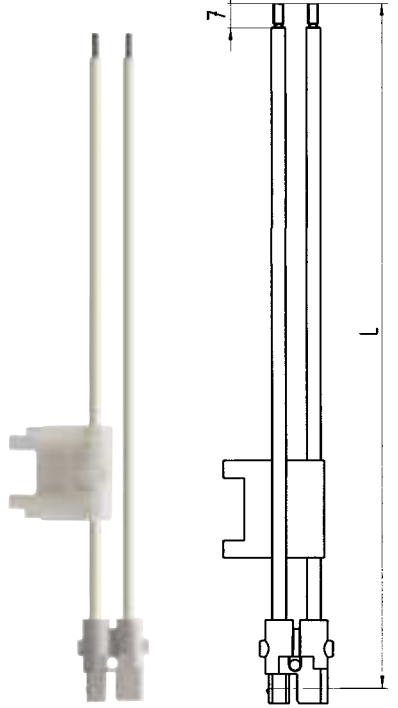
¹⁾ 2.5 mm²: only with Wieland ferrules (see Connection cable)

Cable assemblies 48V, 25 A

<p>2 x 2.5 mm²</p> <p>Cable¹⁾ Color white</p>	 <p>Female – male</p> <table border="1"> <tr><td>Extension cable</td><td></td></tr> <tr><td>Locking device</td><td>yes</td></tr> </table>	Extension cable		Locking device	yes	 <p>Connector – Free end</p> <table border="1"> <tr><td>Connection cable</td><td></td></tr> <tr><td>Wire ends</td><td>with ferrules</td></tr> <tr><td>Locking device</td><td>yes</td></tr> </table>	Connection cable		Wire ends	with ferrules	Locking device	yes														
Extension cable																										
Locking device	yes																									
Connection cable																										
Wire ends	with ferrules																									
Locking device	yes																									
<p>Application Length²⁾ m</p> <p>Power with ⊕</p> <p>Type</p>	<p>Part No.</p> <table border="1"> <tr><td>0.35</td><td>94.623.0031.2</td></tr> <tr><td>0.60</td><td>94.623.0631.2</td></tr> <tr><td>1.20</td><td>94.623.1231.2</td></tr> <tr><td>1.80</td><td>94.623.1831.2</td></tr> <tr><td>2.40</td><td>94.623.2431.2</td></tr> <tr><td>Type</td><td>ST 16/2 BSK1BS</td></tr> </table>	0.35	94.623.0031.2	0.60	94.623.0631.2	1.20	94.623.1231.2	1.80	94.623.1831.2	2.40	94.623.2431.2	Type	ST 16/2 BSK1BS	<table border="1"> <tr><td>0.35</td><td>94.623.0032.2</td></tr> <tr><td>0.60</td><td>94.623.0632.2</td></tr> <tr><td>1.20</td><td>94.623.1232.2</td></tr> <tr><td>1.80</td><td>94.623.1832.2</td></tr> <tr><td>2.40</td><td>94.623.2432.2</td></tr> <tr><td>Type</td><td>ST 16/2 BSK1-</td></tr> </table>	0.35	94.623.0032.2	0.60	94.623.0632.2	1.20	94.623.1232.2	1.80	94.623.1832.2	2.40	94.623.2432.2	Type	ST 16/2 BSK1-
0.35	94.623.0031.2																									
0.60	94.623.0631.2																									
1.20	94.623.1231.2																									
1.80	94.623.1831.2																									
2.40	94.623.2431.2																									
Type	ST 16/2 BSK1BS																									
0.35	94.623.0032.2																									
0.60	94.623.0632.2																									
1.20	94.623.1232.2																									
1.80	94.623.1832.2																									
2.40	94.623.2432.2																									
Type	ST 16/2 BSK1-																									

¹⁾ Other cables available on request
²⁾ Other lengths available on request

Cable assemblies 48V, 25 A

<p>2 x 2.5 mm²</p> <p>Cable¹⁾ Color white</p> <p>Application Length²⁾ m</p> <table border="1"> <tr> <td>Power with ⊕</td> <td>0.35</td> <td>94.603.0031.2</td> </tr> <tr> <td></td> <td>0.60</td> <td>94.603.0631.2</td> </tr> <tr> <td></td> <td>1.20</td> <td>94.603.1231.2</td> </tr> <tr> <td></td> <td>1.80</td> <td>94.603.1831.2</td> </tr> <tr> <td></td> <td>2.40</td> <td></td> </tr> </table> <p>Type ST 16/2 BSK1SiBS</p>	Power with ⊕	0.35	94.603.0031.2		0.60	94.603.0631.2		1.20	94.603.1231.2		1.80	94.603.1831.2		2.40		 <table border="1"> <tr> <th colspan="2">Female – male</th> </tr> <tr> <td>Extension cable</td> <td></td> </tr> <tr> <td>Locking device</td> <td>yes</td> </tr> <tr> <td>Fuse box³⁾</td> <td>yes</td> </tr> </table>	Female – male		Extension cable		Locking device	yes	Fuse box ³⁾	yes	 <table border="1"> <tr> <th colspan="2">Connector – Free end</th> </tr> <tr> <td>Connection cable</td> <td></td> </tr> <tr> <td>Wire ends</td> <td>with ferrules</td> </tr> <tr> <td>Locking device</td> <td>yes</td> </tr> <tr> <td>Fuse box³⁾</td> <td>yes</td> </tr> </table>	Connector – Free end		Connection cable		Wire ends	with ferrules	Locking device	yes	Fuse box ³⁾	yes
Power with ⊕	0.35	94.603.0031.2																																	
	0.60	94.603.0631.2																																	
	1.20	94.603.1231.2																																	
	1.80	94.603.1831.2																																	
	2.40																																		
Female – male																																			
Extension cable																																			
Locking device	yes																																		
Fuse box ³⁾	yes																																		
Connector – Free end																																			
Connection cable																																			
Wire ends	with ferrules																																		
Locking device	yes																																		
Fuse box ³⁾	yes																																		
		<table border="1"> <tr> <td>94.603.1232.2</td> </tr> <tr> <td>94.603.1832.2</td> </tr> </table> <p>ST 16/2 BSK1Si–</p>	94.603.1232.2	94.603.1832.2																															
94.603.1232.2																																			
94.603.1832.2																																			

¹⁾ Other cables available on request
²⁾ Other lengths available on request
³⁾ Blade-type fuses Type C according to DIN 72581 part 3 maximum power loss of the blade-Type fuse 2.5W, for Wieland fuses max. I_n = 15A separately available