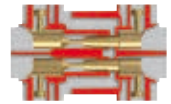


690 V 4 x 35 A, 6 x 16 A Contact inserts, screw connection



Contact inserts *revos* POWER



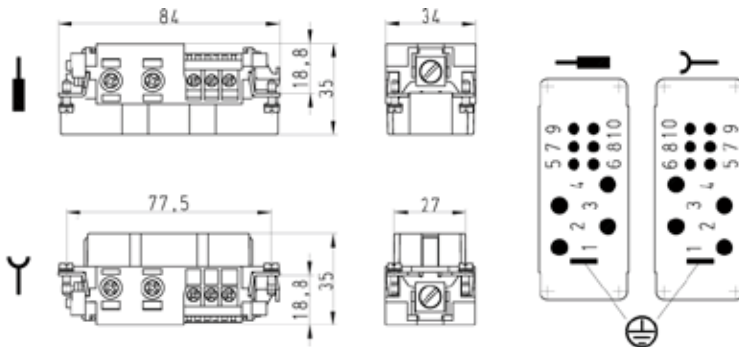
**4-/6-pole + ground
690 V
Size 16**



Description	Type	Part No.	P.U.
Contact inserts <i>revos</i> POWER			
4-/6-pole + ground			
Male insert	POW STS 4/6 DA D AG	72.215.1053.0	10
Female insert	POW BUS 4/6 DA D AG	72.205.1053.0	10
Technical data			
Rated voltage	690 V		
Rated voltage according to UL/CSA	600 V		
Rated impulse voltage	8 kV		
Rated current	4 Contacts 35 A / 6 Contacts 16 A		
Degree of pollution	3		
Rated cross section			
EN 60999	4 x 2.5 – 6 mm ² and 6 x 1 – 2.5 mm ²		
UL	4 x 14 – 8 AWG and 6 x 16 – 12 AWG		
CSA	4 x 14 – 8 AWG and 6 x 16 – 12 AWG		
Contacts			
Material	Copper alloy		
Surface	>16 A Ag / 16 A Sn		
Insulation strip length	10 mm / 7 mm		
Contact resistance	≤ 1.0 mΩ		
Mating cycles	200		
Screws head design / recomm. torque			
Mounting screws	H1 / 0.5 – 0.7 Nm		
Clamping screws	4 x H1 / 1.2 – 1.6 Nm / 6 x H1 / 0.5 – 0.7 Nm		
Ground conductor screws	M5 / 2.0 – 2.5 Nm		
Temperature range	-40 – +120 °C		
Housing 690 V			
Size	16	Page 178–182, 184–187	
Size	16XL	Page 183	

Dimensions

4-/6-pole + ground 690 V



Derating curve
according to IEC 60512 sec. 3
72.215/205.1053.0 *revos* POWER
6+4-pole 690 V
35 A / 16 A / 6,0 mm² / 2.5 mm²

— Corrected current AC [A]

