

500 V Bases, single locking lever Size 16

500 V Bases, Size 16



open

without cover
with cover



closed

1 cable gland

without cover
with cover



closed

1 cable gland, bottom

without cover
with cover



Description	Type	M	Part No.	P.U.
500 V Bases, size 16				
Open-bottom base				
without cover	BAS GUT GK 16 50 A		71.320.1628.0	1
with cover	BAS GUT GP 16 50 A		71.325.1628.0	1
Closed-bottom base				
2 cable glands, 2 x M25				
without cover				
with cable gland, IP54, $\rightarrow \varnothing $ 7.5– 19 mm	BAS GUT GL 16 M25 50 A0	25	71.330.1635.0	1
with threaded collar	BAS GUT GL 16 M25 50 A1	25	71.330.1635.1	1
with cover				
with cable gland, IP54, $\rightarrow \varnothing $ 7.5– 19 mm	BAS GUT GR 16 M25 50 A0	25	71.340.1635.0	1
with threaded collar	BAS GUT GR 16 M25 50 A1	25	71.340.1635.1	1
1 cable gland, left, 1 x M25				
without cover				
with cable gland, IP54, $\rightarrow \varnothing $ 7.5– 19 mm	BAS GUT GM 16 M25 50 A0	25	71.331.1635.0	1
with threaded collar	BAS GUT GM 16 M25 50 A1	25	71.331.1635.1	1
with cover				
with cable gland, IP54, $\rightarrow \varnothing $ 7.5– 19 mm	BAS GUT GS 16 M25 50 A0	25	71.341.1635.0	1
with threaded collar	BAS GUT GS 16 M25 50 A1	25	71.341.1635.1	1
1 cable gland, right, 1 x M25				
with cover				
with cable gland, IP54, $\rightarrow \varnothing $ 7.5– 19 mm	BAS GUT GT 16 M25 50 A0	25	71.342.1635.0	1
with threaded collar	BAS GUT GT 16 M25 50 A1	25	71.342.1635.1	1
1 cable gland, bottom, 1 x M25				
without cover				
with cable gland, IP54, $\rightarrow \varnothing $ 7.5– 19 mm	BAS GUT GO 16 M25 50 A0	25	71.333.1635.0	1
with threaded collar	BAS GUT GO 16 M25 50 A1	25	71.333.1635.1	1
with cover				
with cable gland, IP54, $\rightarrow \varnothing $ 7.5– 19 mm	BAS GUT GU 16 M25 50 A0	25	71.343.1635.0	1
with threaded collar	BAS GUT GU 16 M25 50 A1	25	71.343.1635.1	1
Technical data				
Material	Die cast aluminum alloy			
Surface	silicon-free			
Locking levers	Handle: Polyamide, UL94-V0; stainless steel: V2A			
Gasket	NBR			
Degree of protection				
with latched locking levers	IP54			
with appropriate cable glands	IP65			
Temperature range	-40 – +120 °C			
Description	Type	M	Part No.	P.U.
Accessories				
Cable gland IP68, plastic material, gray	Connection range 7 – 16 mm	25	Z5.507.1553.0	10
Cable gland IP68, nickel-plated brass	Connection range 11 – 18 mm	25	Z5.507.1521.0	10
Contact inserts			See the product matrix	
			Page 24–25	

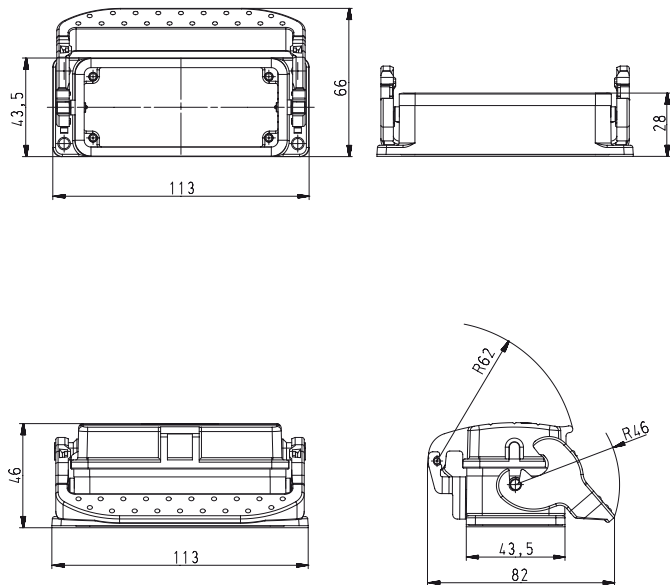
Note:

In 2013 the design of the revos housings will change. Through the use of an integrated insulation strip, voltage ranges of up to 690 V can then be covered. Additionally, a new, flexible marking system will be available to you.

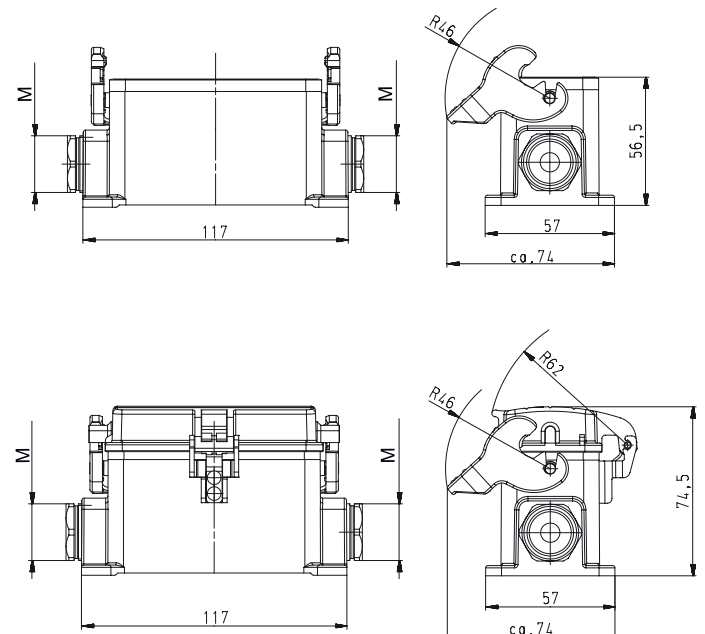
Dimensions

Bases

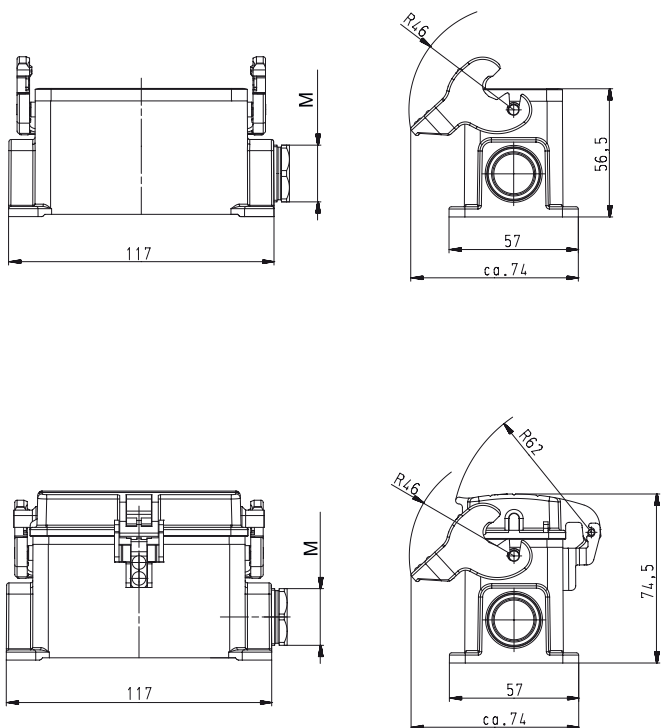
open



closed, 2 cable glands



closed, 1 cable gland



closed, 1 cable gland, bottom

