

# 500 V Bases, double locking lever Size 16

## 500 V Bases, Size 16



### open

without cover  
with cover



### closed

#### 1 cable gland, seitlich

without cover  
with cover



### closed

#### 1 cable gland, bottom

without cover  
with cover



Description	Type	M	Part No.	P.U.
<b>500 V Bases, size 16</b>				
<b>Open-bottom base</b>				
without cover	BAS GUT GA 16 50 A		70.320.1628.0	1
with cover	BAS GUT GE 16 50 A		70.325.1628.0	1
<b>Closed-bottom base</b>				
<b>2 cable glands, 2 x M25</b>				
<b>without cover</b>				
with cable gland, IP54, $\rightarrow \varnothing $ 7.5 – 19 mm	BAS GUT GB 16 M25 50 A0	25	70.330.1635.0	1
with threaded collar	BAS GUT GB 16 M25 50 A1	25	70.330.1635.1	1
<b>with cover</b>				
with cable gland, IP54, $\rightarrow \varnothing $ 7.5 – 19 mm	BAS GUT GF 16 M25 50 A0	25	70.340.1635.0	1
with threaded collar	BAS GUT GF 16 M25 50 A1	25	70.340.1635.1	1
<b>1 cable gland, left, 1 x M25</b>				
<b>without cover</b>				
with cable gland, IP54, $\rightarrow \varnothing $ 7.5 – 19 mm	BAS GUT GC 16 M25 50 A0	25	70.331.1635.0	1
with threaded collar	BAS GUT GC 16 M25 50 A1	25	70.331.1635.1	1
<b>with cover</b>				
with cable gland, IP54, $\rightarrow \varnothing $ 7.5 – 19 mm	BAS GUT GG 16 M25 50 A0	25	70.341.1635.0	1
with threaded collar	BAS GUT GG 16 M25 50 A1	25	70.341.1635.1	1
<b>1 cable gland, right, 1 x M25</b>				
<b>with cover</b>				
with cable gland, IP54, $\rightarrow \varnothing $ 7.5 – 19 mm	BAS GUT GH 16 M25 50 A0	25	70.342.1635.0	1
with threaded collar	BAS GUT GH 16 M25 50 A1	25	70.342.1635.1	1
<b>1 cable gland, bottom, 1 x M25</b>				
<b>without cover</b>				
with cable gland, IP54, $\rightarrow \varnothing $ 7.5 – 19 mm	BAS GUT GD 16 M25 50 A0	25	70.333.1635.0	1
with threaded collar	BAS GUT GD 16 M25 50 A1	25	70.333.1635.1	1
<b>with cover</b>				
with cable gland, IP54, $\rightarrow \varnothing $ 7.5 – 19 mm	BAS GUT GI 16 M25 50 A0	25	70.343.1635.0	1
with threaded collar	BAS GUT GI 16 M25 50 A1	25	70.343.1635.1	1

### Technical data

Material	Die cast aluminum alloy
Surface	silicon-free
Locking levers	Handle: Polyamide, UL94-V0; stainless steel: V2A
Gasket	NBR
<b>Degree of protection</b>	
with latched locking levers	IP54
with appropriate cable glands	IP65
Temperature range	-40 – +120 °C

Description	Type	M	Part No.	P.U.
<b>Accessories</b>				
Cable gland IP68, plastic material, gray	Connection range 7 – 16 mm	25	Z5.507.1553.0	10
Cable gland IP68, nickel-plated brass	Connection range 11 – 18 mm	25	Z5.507.1521.0	10
<b>Contact inserts</b>				
See the product matrix				Page 24–25

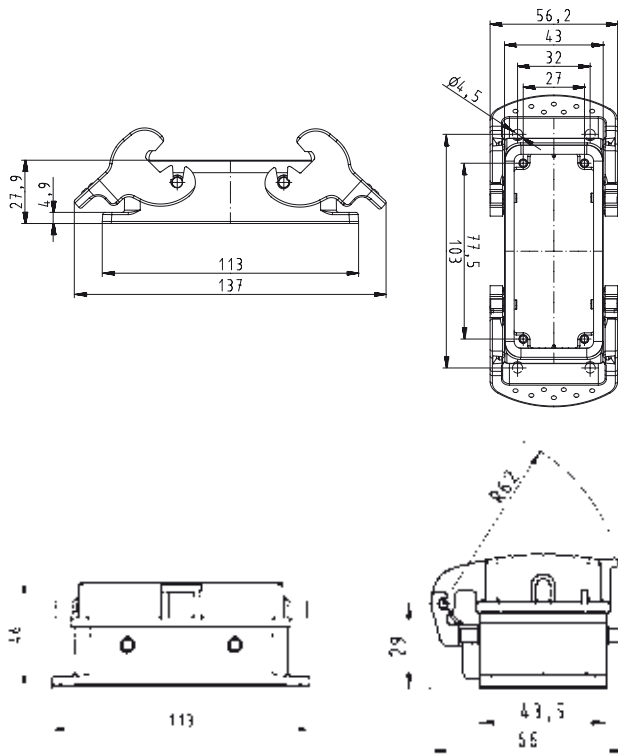
### Note:

In 2013 the design of the revos housings will change. Through the use of an integrated insulation strip, voltage ranges of up to 690 V can then be covered. Additionally, a new, flexible marking system will be available to you.

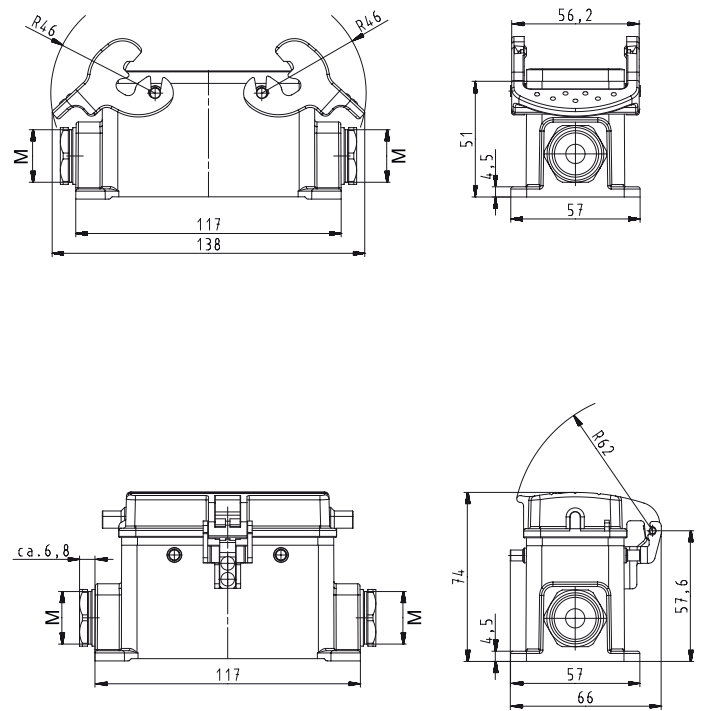
# Dimensions

## Bases

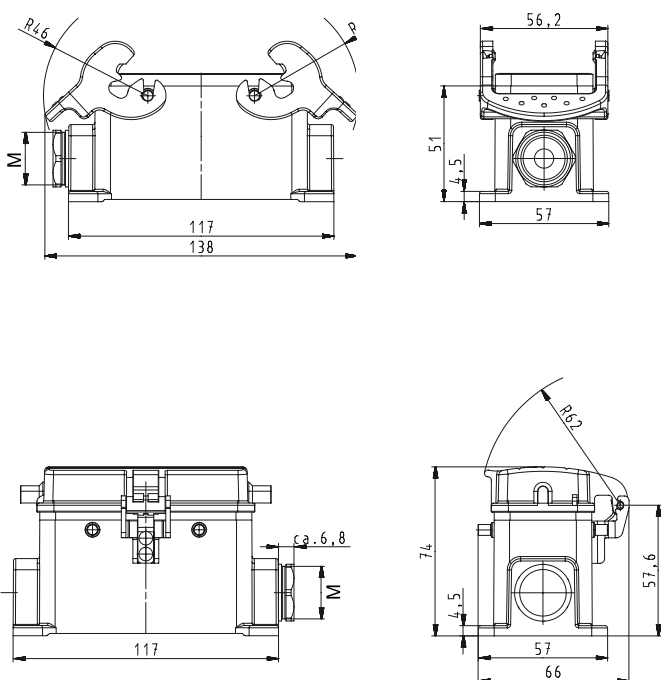
### open



### closed, 2 cable glands



### closed, 1 cable gland



### closed, 1 cable gland, bottom

