

# 500 V Bases, single locking lever Size 6

## 500 V Bases, Size 6



### open

without cover  
with cover



### closed

#### 1 cable gland

without cover  
with cover



### closed

#### 1 cable gland, bottom

without cover  
with cover



Description	Type	M	Part No.	P.U.
<b>500 V Bases, size 6</b>				
<b>Open-bottom base</b>				
without cover	BAS GUT GK 6 50 A		70.320.0628.0	1
with cover	BAS GUT GP 6 50 A		70.325.0628.0	1
<b>Closed-bottom base</b>				
<b>2 cable glands, 2 x M20</b>				
<b>without cover</b>				
with cable gland, IP54, $\rightarrow \text{Ø} \leftarrow 3 - 14.5 \text{ mm}$	BAS GUT GL 6 M20 50 A0	20	70.330.0635.0	1
with threaded collar	BAS GUT GL 6 M20 50 A1	20	70.330.0635.1	1
<b>with cover</b>				
with cable gland, IP54, $\rightarrow \text{Ø} \leftarrow 3 - 14.5 \text{ mm}$	BAS GUT GR 6 M20 50 A0	20	70.340.0635.0	1
with threaded collar	BAS GUT GR 6 M20 50 A1	20	70.340.0635.1	1
<b>2 cable glands, 2 x M25</b>				
<b>without cover</b>				
with cable gland, IP54, $\rightarrow \text{Ø} \leftarrow 7.5 - 19 \text{ mm}$	BAS GUT GL 6 M25 50 A0	25	70.334.0635.0	1
with threaded collar	BAS GUT GL 6 M25 50 A1	25	70.334.0635.1	1
<b>1 cable gland, left, 1 x M20</b>				
<b>without cover</b>				
with cable gland, IP54, $\rightarrow \text{Ø} \leftarrow 3 - 14.5 \text{ mm}$	BAS GUT GM 6 M20 50 A0	20	70.331.0635.0	1
with threaded collar	BAS GUT GM 6 M20 50 A1	20	70.331.0635.1	1
<b>with cover</b>				
with cable gland, IP54, $\rightarrow \text{Ø} \leftarrow 3 - 14.5 \text{ mm}$	BAS GUT GS 6 M20 50 A0	20	70.341.0635.0	1
with threaded collar	BAS GUT GS 6 M20 50 A1	20	70.341.0635.1	1
<b>1 cable gland, left, 1 x M25</b>				
<b>without cover</b>				
with cable gland, IP54, $\rightarrow \text{Ø} \leftarrow 7.5 - 19 \text{ mm}$	BAS GUT GM 6 M25 50 A0	25	70.335.0635.0	1
with threaded collar	BAS GUT GM 6 M25 50 A1	25	70.335.0635.1	1
<b>1 cable gland, right, 1 x M20</b>				
<b>without cover</b>				
with cable gland, IP54, $\rightarrow \text{Ø} \leftarrow 3 - 14.5 \text{ mm}$	BAS GUT GN 6 M20 50 A0	20	70.332.0635.0	1
with threaded collar	BAS GUT GN 6 M20 50 A1	20	70.332.0635.1	1
<b>with cover</b>				
with cable gland, IP54, $\rightarrow \text{Ø} \leftarrow 3 - 14.5 \text{ mm}$	BAS GUT GT 6 M20 50 A0	20	70.342.0635.0	1
with threaded collar	BAS GUT GT 6 M20 50 A1	20	70.342.0635.1	1
<b>1 cable gland, right, 1 x M25</b>				
<b>without cover</b>				
with cable gland, IP54, $\rightarrow \text{Ø} \leftarrow 7.5 - 19 \text{ mm}$	BAS GUT GN 6 M25 50 A0	25	70.336.0635.0	1
with threaded collar	BAS GUT GN 6 M25 50 A1	25	70.336.0635.1	1
<b>1 cable gland, bottom, 1 x M20</b>				
<b>without cover</b>				
with cable gland, IP54, $\rightarrow \text{Ø} \leftarrow 3 - 14.5 \text{ mm}$	BAS GUT GO 6 M20 50 A0	20	70.333.0635.0	1
with threaded collar	BAS GUT GO 6 M20 50 A1	20	70.333.0635.1	1
<b>with cover</b>				
with cable gland, IP54, $\rightarrow \text{Ø} \leftarrow 3 - 14.5 \text{ mm}$	BAS GUT GU 6 M20 50 A0	20	70.343.0635.0	1
with threaded collar	BAS GUT GU 6 M20 50 A1	20	70.343.0635.1	1
<b>1 cable gland, bottom, 1 x M25</b>				
<b>without cover</b>				
with cable gland, IP54, $\rightarrow \text{Ø} \leftarrow 7.5 - 19 \text{ mm}$	BAS GUT GO 6 M25 50 A0	25	70.337.0635.0	1
with threaded collar	BAS GUT GO 6 M25 50 A1	25	70.337.0635.1	1
<b>Technical data</b>				
Material	Die cast aluminum alloy			
Surface	silicon-free			
Locking levers	Handle: Polyamide, UL94-V0; stainless steel: V2A			
Gasket	NBR			
<b>Degree of protection</b>				
with latched locking levers	IP54			
with appropriate cable glands	IP65			
Temperature range	-40 – +120 °C			
Description	Type	M	Part No.	P.U.
<b>Accessories</b>				
Cable gland IP68, plastic material, gray	Connection range 6 – 12 mm	20	Z5.507.1353.0	10
Cable gland IP68, nickel-plated brass	Connection range 8 – 13 mm	20	Z5.507.1321.0	10
Cable gland IP68, plastic material, gray	Connection range 7 – 16 mm	25	Z5.507.1553.0	10
Cable gland IP68, nickel-plated brass	Connection range 11 – 18 mm	25	Z5.507.1521.0	10
<b>Contact inserts</b>				
Size 6 see the product matrix			Page 24–25	

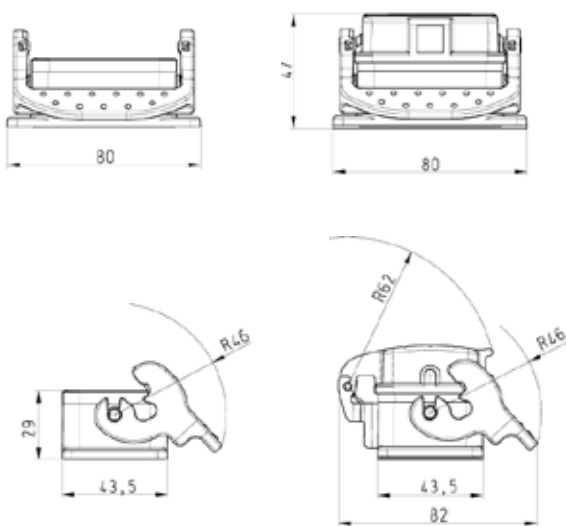
**Note:**

In 2013 the design of the revos housings will change. Through the use of an integrated insulation strip, voltage ranges of up to 690 V can then be covered. Additionally, a new, flexible marking system will be available to you.

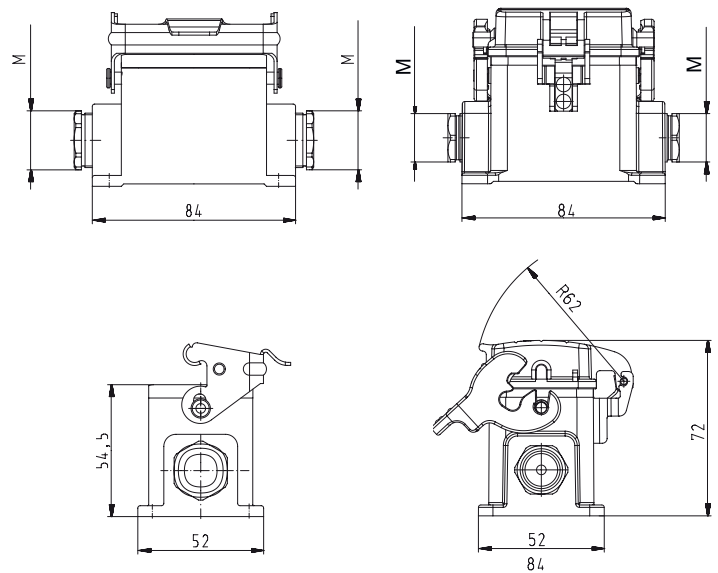
# Dimensions

## Bases

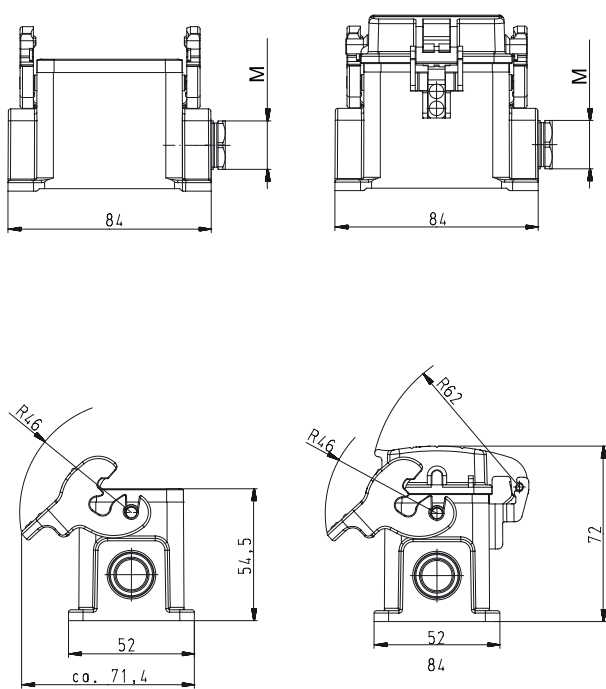
### open



### closed, 2 cable glands



### closed, 1 cable gland



### closed, 1 cable gland, bottom

