

690 V Bases, double locking lever Size 16

690 V Bases, Size 16



open
without cover
with cover



closed
1 cable gland, lateral
cable entry
without cover
with cover



closed
1 cable gland, bottom
without cover
with cover



| Description | Type | M | Part No. | P.U. |
|----------------------------------------------------------------|--------------------------------------------------|----|---------------|------|
| 690 V Bases, size 16 | | | | |
| Open-bottom base | | | | |
| without cover | BAS GUT GA 16 69 A | | 72.320.1628.0 | 1 |
| with cover | BAS GUT GE 16 69 A | | 72.325.1628.0 | 1 |
| Closed-bottom base | | | | |
| 2 cable glands, 2 x M25 | | | | |
| without cover | | | | |
| with cable gland, IP54, $\rightarrow \varnothing $ 7.5 – 19 mm | BAS GUT GB 16 M25 69 A0 | 25 | 72.330.1635.0 | 1 |
| with threaded collar | BAS GUT GB 16 M25 69 A1 | 25 | 72.330.1635.1 | 1 |
| with cover | | | | |
| with cable gland, IP54, $\rightarrow \varnothing $ 7.5 – 19 mm | BAS GUT GF 16 M25 69 A0 | 25 | 72.340.1635.0 | 1 |
| with threaded collar | BAS GUT GF 16 M25 69 A1 | 25 | 72.340.1635.1 | 1 |
| 1 cable gland, left, 1 x M25 | | | | |
| without cover | | | | |
| with cable gland, IP54, $\rightarrow \varnothing $ 7.5 – 19 mm | BAS GUT GC 16 M25 69 A0 | 25 | 72.331.1635.0 | 1 |
| with threaded collar | BAS GUT GC 16 M25 69 A1 | 25 | 72.331.1635.1 | 1 |
| with cover | | | | |
| with cable gland, IP54, $\rightarrow \varnothing $ 7.5 – 19 mm | BAS GUT GG 16 M25 69 A0 | 25 | 72.341.1635.0 | 1 |
| with threaded collar | BAS GUT GG 16 M25 69 A1 | 25 | 72.341.1635.1 | 1 |
| 1 cable gland, right, 1 x M25 | | | | |
| with cover | | | | |
| with cable gland, IP54, $\rightarrow \varnothing $ 7.5 – 19 mm | BAS GUT GH 16 M25 69 A0 | 25 | 72.342.1635.0 | 1 |
| with threaded collar | BAS GUT GH 16 M25 69 A1 | 25 | 72.342.1635.1 | 1 |
| 1 cable gland, bottom, 1 x M25 | | | | |
| without cover | | | | |
| with cable gland, IP54, $\rightarrow \varnothing $ 7.5 – 19 mm | BAS GUT GD 16 M25 69 A0 | 25 | 72.333.1635.0 | 1 |
| with threaded collar | BAS GUT GD 16 M25 69 A1 | 25 | 72.333.1635.1 | 1 |
| with cover | | | | |
| with cable gland, IP54, $\rightarrow \varnothing $ 7.5 – 19 mm | BAS GUT GI 16 M25 69 A0 | 25 | 72.343.1635.0 | 1 |
| with threaded collar | BAS GUT GI 16 M25 69 A1 | 25 | 72.343.1635.1 | 1 |
| Technical data | | | | |
| Material | Die cast aluminum alloy | | | |
| Surface | silicon-free | | | |
| Locking levers | Handle: Polyamide, UL94-V0; stainless steel: V2A | | | |
| Gasket | NBR | | | |
| Degree of protection | | | | |
| with latched locking levers | IP54 | | | |
| with appropriate cable glands | IP65 | | | |
| Temperature range | -40 – +120 °C | | | |
| Description | Type | M | Part No. | P.U. |
| Accessories | | | | |
| Cable gland IP68, plastic material, gray | Connection range 7 – 16 mm | 25 | Z5.507.1553.0 | 10 |
| Cable gland IP68, nickel-plated brass | Connection range 11 – 18 mm | 25 | Z5.507.1521.0 | 10 |
| Contact inserts | | | | |
| See the product matrix | | | Page 24–25 | |

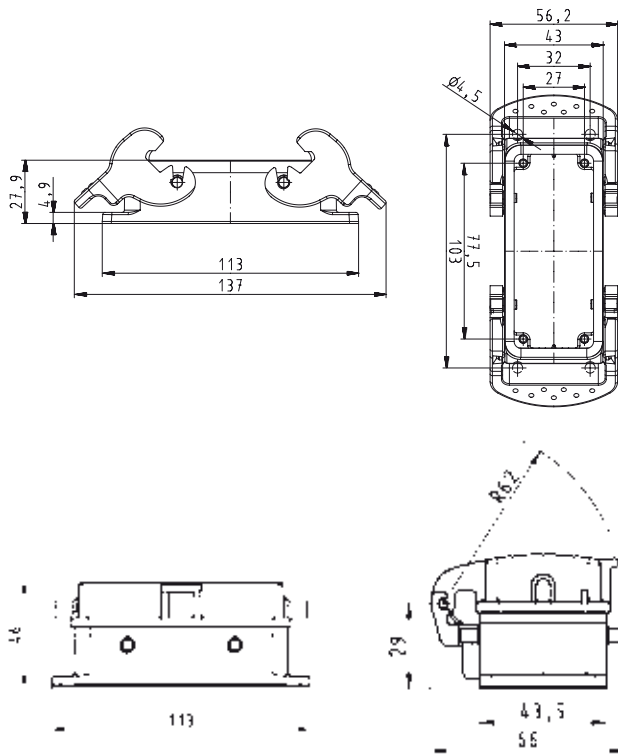
Note:

In the course of 2013, the design and order number of the housing will change. But the function of the housing will, of course, remain intact. Additionally, a new, flexible marking system will be available to you. In the transition phase, you can continue to order with the existing number. You can find more exact information and cross-reference lists in our e-Shop and on our homepage.

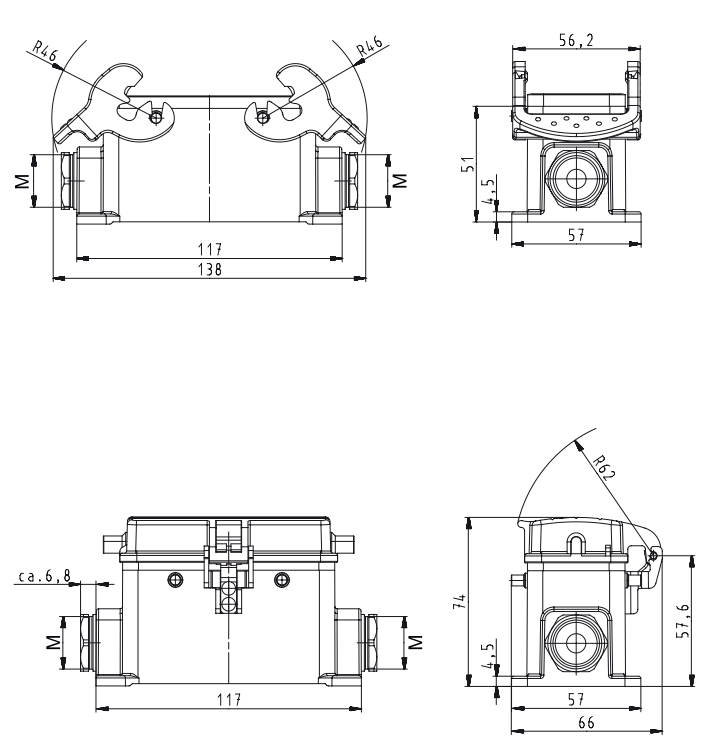
Dimensions

Bases

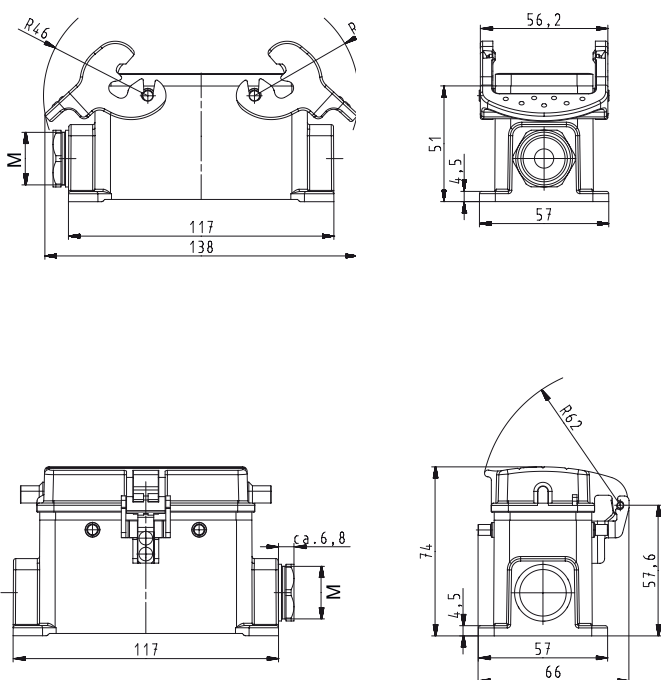
open



closed, 2 cable glands



closed, 1 cable gland, lateral cable entry



closed, 1 cable gland, bottom

