

500 V Hoods, single locking lever Size 16

500 V Hoods Size 16



Lateral cable entry



Top cable entry



Multipole connectors for cable-to-cable couplings



Description	Type	M	Part No.	P.U.
500 V Hoods, size 16				
Lateral cable entry M25				
with cable gland, IP54, $\rightarrow \varnothing $ 7.5 – 19 mm	BAS GOT GG 16 M25 50 A0	25	71.350.1635.0	1
with threaded collar	BAS GOT GG 16 M25 50 A1	25	71.350.1635.1	1
with intermediate support	BAS GOT GG 16 M25 50 A2	25	71.350.1635.2	1
with strain relief, IP54	BAS GOT GG 16 M25 50 A3	25	71.350.1635.3	1
Lateral cable entry M32				
with cable gland, IP54, $\rightarrow \varnothing $ 15 – 26.5 mm	BAS GOT GG 16 M32 50 A0	32	71.353.1635.0	1
with threaded collar	BAS GOT GG 16 M32 50 A1	32	71.353.1635.1	1
with intermediate support	BAS GOT GG 16 M32 50 A2	32	71.353.1635.2	1
with strain relief, IP54	BAS GOT GG 16 M32 50 A3	32	71.353.1635.3	1
Top cable entry M25				
with cable gland, IP54, $\rightarrow \varnothing $ 7.5 – 19 mm	BAS GOT GI 16 M25 50 A0	25	71.352.1635.0	1
with threaded collar	BAS GOT GI 16 M25 50 A1	25	71.352.1635.1	1
with intermediate support	BAS GOT GI 16 M25 50 A2	25	71.352.1635.2	1
with strain relief, IP54	BAS GOT GI 16 M25 50 A3	25	71.352.1635.3	1
Top cable entry M32				
with cable gland, IP54, $\rightarrow \varnothing $ 15 – 26.5 mm	BAS GOT GI 16 M32 50 A0	32	71.354.1635.0	1
with threaded collar	BAS GOT GI 16 M32 50 A1	32	71.354.1635.1	1
with intermediate support	BAS GOT GI 16 M32 50 A2	32	71.354.1635.2	1
with strain relief, IP54	BAS GOT GI 16 M32 50 A3	32	71.354.1635.3	1
Multipole connectors for cable-to-cable couplings M25				
with cable gland, IP54, $\rightarrow \varnothing $ 7.5 – 19 mm	BAS GOT GI 16 M25 50 A0	25	71.352.1635.0	1
with cable gland, IP54, $\rightarrow \varnothing $ 7.5 – 19 mm Locking levers and gasket	BAS GOT GL 16 M25 50 A0	25	71.372.1635.0	1
with threaded collar	BAS GOT GI 16 M25 50 A1	25	71.352.1635.1	1
with threaded collar Locking levers and gasket	BAS GOT GL 16 M25 50 A1	25	71.372.1635.1	1
with strain relief, IP54	BAS GOT GI 16 M25 50 A3	25	71.352.1635.3	1
with strain relief, IP54 Locking levers and gasket	BAS GOT GL 16 M25 50 A3	25	71.372.1635.3	1
Technical data				
Material	Die cast aluminum alloy			
Surface	silicon-free			
Locking levers at Multipole connectors	Handle: Polyamide, UL94-V0; stainless steel: V2A			
Gasket at Multipole connectors	NBR			
Degree of protection				
with latched locking levers	IP54			
with appropriate cable glands	IP65			
Temperature range	-40 – +120 °C			
Description	Type	M	Part No.	P.U.
Accessories				
Cable gland IP68, plastic material, gray	Connection range 7 – 16 mm	25	Z5.507.1553.0	10
Cable gland IP68, nickel-plated brass	Connection range 11 – 18 mm	25	Z5.507.1521.0	10
Cable gland IP68, plastic material, gray	Connection range 10 – 21 mm	32	Z5.507.1753.0	10
Cable gland IP68, nickel-plated brass	Connection range 15 – 21 mm	32	Z5.507.1721.0	10
Contact inserts				
See the product matrix			Page 24–25	

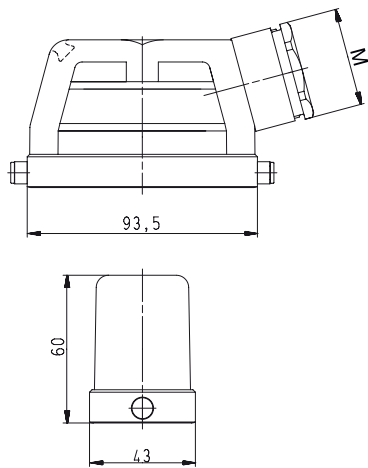
Note:

In 2013 the design of the revos housings will change. Through the use of an integrated insulation strip, voltage ranges of up to 690 V can then be covered. Additionally, a new, flexible marking system will be available to you.

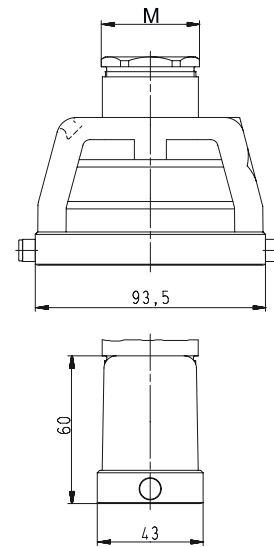
Dimensions

Hoods

Lateral cable entry



Top cable entry



Multipole connectors for cable-to-cable couplings

