

# 90 V Hoods, single locking lever Size 6Ex

## 90 V Hoods Size 6Ex



### Lateral cable entry



### Top cable entry



### Multipole connectors for cable-to-cable couplings with Locking levers and gasket

#### Lateral cable entry



#### Top cable entry



Description	Type	M	Part No.	P.U.
<b>90 V Hoods, size 6Ex</b>	<b>Housing, die cast zinc alloy</b>			
<b>Lateral cable entry M20</b>				
with threaded collar	EX GOT GG 6 M20 09IA Z1	20	70.350.0636.1	1
with strain relief, IP54 → Ø ← 9 – 13.5 mm	EX GOT GG 6 M20 09IA Z3	20	70.350.0636.3	1
<b>Lateral cable entry M25</b>				
with threaded collar	EX GOT GG 6 M25 09IA Z1	25	70.353.0636.0	1
with strain relief, IP54 → Ø ← 14 – 20 mm	EX GOT GG 6 M25 09IA Z3	25	70.353.0636.3	1
<b>Top cable entry M20</b>				
with threaded collar	EX GOT GI 6 M20 09IA Z1	20	70.352.0636.1	1
with strain relief, IP54 → Ø ← 9 – 13.5 mm	EX GOT GI 6 M20 09IA Z3	20	70.352.0636.3	1
<b>Top cable entry M25</b>				
with threaded collar	EX GOT GI 6 M25 09IA Z1	25	70.354.0636.1	1
with strain relief, IP54 → Ø ← 14 – 20 mm	EX GOT GI 6 M25 09IA Z3	25	70.354.0636.3	1
<b>Multipole connectors for cable-to-cable couplings with Locking levers and gasket</b>				
<b>Lateral cable entry M20</b>				
with strain relief, IP54 → Ø ← 9 – 13.5 mm	EX GOT GT 6 M20 09IA Z4	20	99.731.3329.7	10
<b>Lateral cable entry M25</b>				
with strain relief, IP54 → Ø ← 14 – 20 mm	EX GOT GT 6 M25 09IA Z4	25	99.732.3329.7	1
<b>Top cable entry M20</b>				
with strain relief, IP54 → Ø ← 9 – 13.5 mm	EX GOT GR 6 M20 09IA Z3	20	99.741.3329.7	10
<b>Top cable entry M25</b>				
with strain relief, IP54 → Ø ← 14 – 20 mm	EX GOT GR 6 M25 09IA Z3	25	99.742.3329.7	10

Technical data	
Material	Die cast zinc alloy
Surface	silicon-free, light blue
Locking levers	zinc-plated steel
Gasket	NBR
Degree of protection	
with latched locking levers	IP54
with appropriate cable glands	IP65
Temperature range	-20 – +60 °C

Contact inserts
See the product matrix <span style="float: right;">Page 24–25</span>

#### Special conditions for safe use:

1. The heavy duty connectors must be attached to a device in such a way that a minimum protection rating of IP54 is maintained in accordance with EN 60529.
2. The plug connectors can be used in an ambient temperature ranges of -20 °C to +60 °C.

See section "facts & DATA" for handling and assembly of the multipole connectors.

0344  M1 Ex ia I

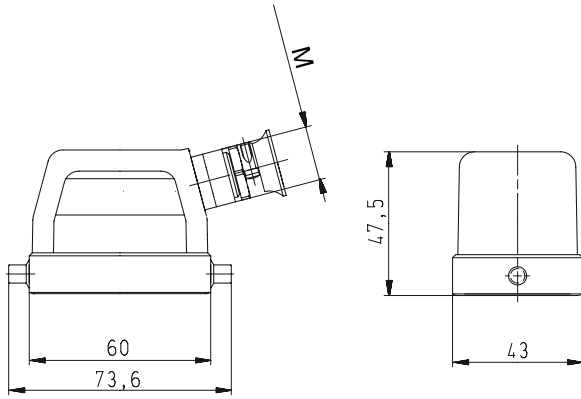
BVS 03 ATEX 184 X

EN 60079-0:2006 EN 60079-11:2007 EN 50303:2000

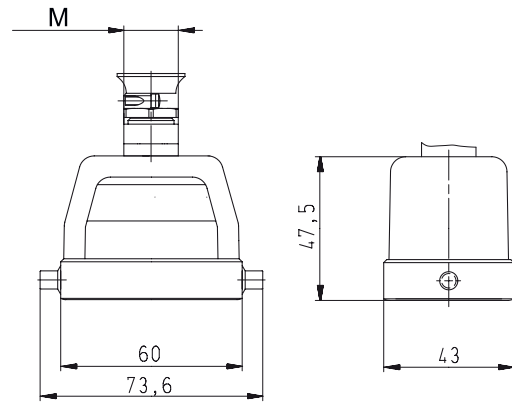
# Dimensions

## Hoods

### Lateral cable entry

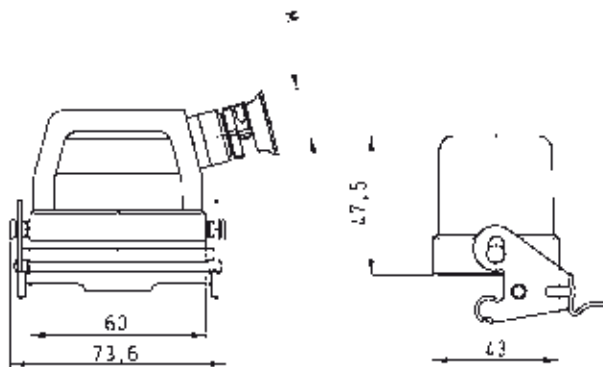


### Top cable entry



### Multipole connectors for cable-to-cable couplings with Locking levers and gasket

#### Lateral cable entry



### Multipole connectors for cable-to-cable couplings with Locking levers and gasket

#### Top cable entry

