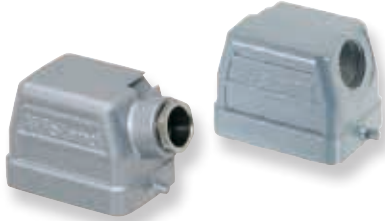


690 V Hoods, single locking lever Size 6

690 V Hoods Size 6



Lateral cable entry



Top cable entry



Multipole connectors for cable-to-cable couplings



Description	Type	M	Part No.	P.U.
690 V Hoods, size 6				
Aluminum housing				
Lateral cable entry M20				
with cable gland, IP54, $\rightarrow \varnothing $ 3 – 14.5 mm	BAS GOT GG 6 M20 69 A0	20	72.350.0635.0	1
with threaded collar	BAS GOT GG 6 M20 69 A1	20	72.350.0635.1	1
with intermediate support	BAS GOT GG 6 M20 69 A2	20	72.350.0635.2	1
with strain relief, IP54	BAS GOT GG 6 M20 69 A3	20	72.350.0635.3	1
Lateral cable entry M25				
with cable gland, IP54, $\rightarrow \varnothing $ 7.5 – 19 mm	BAS GOT GG 6 M25 69 A0	25	72.353.0635.0	1
with threaded collar	BAS GOT GG 6 M25 69 A1	25	72.353.0635.1	1
with intermediate support	BAS GOT GG 6 M25 69 A2	25	72.353.0635.2	1
with strain relief, IP54	BAS GOT GG 6 M25 69 A3	25	72.353.0635.3	1
Top cable entry M20				
with cable gland, IP54, $\rightarrow \varnothing $ 3 – 14.5 mm	BAS GOT GI 6 M20 69 A0	20	72.352.0635.0	1
with threaded collar	BAS GOT GI 6 M20 69 A1	20	72.352.0635.1	1
with intermediate support	BAS GOT GI 6 M20 69 A2	20	72.352.0635.2	1
with strain relief, IP54	BAS GOT GI 6 M20 69 A3	20	72.352.0635.3	1
Top cable entry M25				
with cable gland, IP54, $\rightarrow \varnothing $ 7.5 – 19 mm	BAS GOT GI 6 M25 69 A0	25	72.354.0635.0	1
with threaded collar	BAS GOT GI 6 M25 69 A1	25	72.354.0635.1	1
with intermediate support	BAS GOT GI 6 M25 69 A2	25	72.354.0635.2	1
with strain relief, IP54	BAS GOT GI 6 M25 69 A3	25	72.354.0635.3	1
Multipole connectors for cable-to-cable couplings M20				
with strain relief, IP54	BAS GOT GI 6 M20 69 A3	20	72.352.0635.3	1
with strain relief, IP54 Locking levers and gasket	BAS GOT GL 6 M20 69 A3	20	72.372.0635.3	1
Technical data				
Material	Die cast aluminum alloy			
Surface	silicon-free			
Locking levers at Multipole connectors	Handle: Polyamide, UL94-V0; stainless steel: V2A			
Gasket at Multipole connectors	NBR			
Degree of protection				
with latched locking levers	IP54			
with appropriate cable glands	IP65			
Temperature range	-40 – +120 °C			
Description	Type	M	Part No.	P.U.
Accessories				
Cable gland IP68, plastic material, gray	Connection range 6 – 12 mm	20	Z5.507.1353.0	10
Cable gland IP68, nickel-plated brass	Connection range 8 – 13 mm	20	Z5.507.1321.0	10
Cable gland IP68, plastic material, gray	Connection range 7 – 16 mm	25	Z5.507.1553.0	10
Cable gland IP68, nickel-plated brass	Connection range 11 – 18 mm	25	Z5.507.1521.0	10
Contact inserts				
Size 6 see the product matrix				Page 24–25

Plastic cable glands may only be used with a shortened thread or together with an intermediate support.

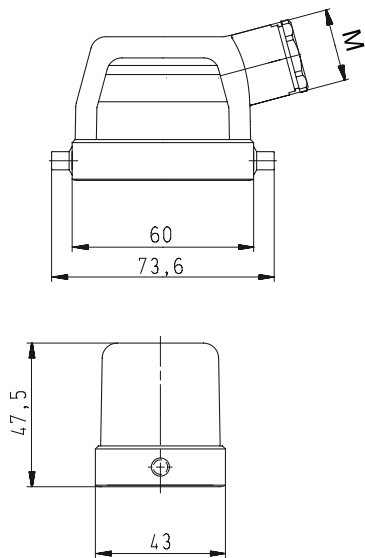
Note:

In 2013 the design and order numbers of the revos housings will change, but the function of the housings will remain intact. In addition, a new flexible marking system will be available to you. In the transition phase you can continue to order with the existing part number. You can find more detailed information and a cross-reference list in our e-Shop and on our homepage.

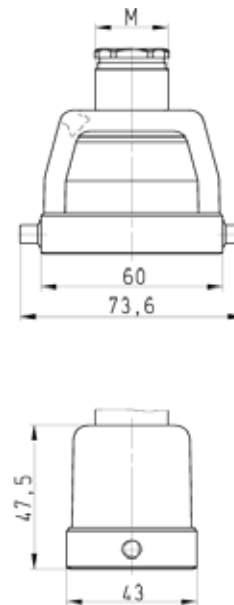
Dimensions

Hoods

Lateral cable entry



Top cable entry



Multipole connectors for cable-to-cable couplings

