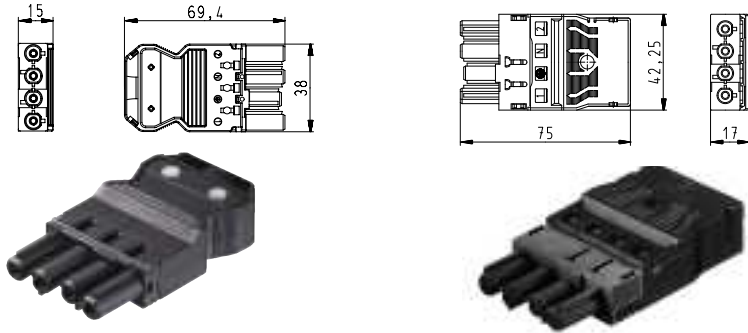


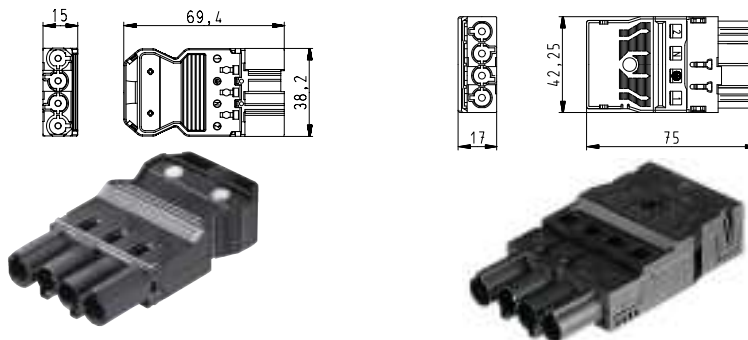
Connector 250/400V, 20A

Female connector



Application	Coding	Color	Part No.	Part No.
			Screw connection with strain relief Cable solid/fine-stranded 0.75 – 2.5 mm ² Connections p. pole 1, without ferrules H05VV, NYM ¹⁾ 7.1 – 12.0 mm Sheath strip length 38 mm (⊕), 31 mm (2, N, 1) Wire stripping length 7 mm	Spring clamp connection with strain relief Cable rigid 1.5 – 2.5 mm ² fine-stranded 1.5 mm ² with ferrules H05VV, NYM, 9.5 – 11.5 mm, lockable ²⁾ H05RNF ¹⁾ Connections p. pole 2, unassembled Sheath strip length 52 mm (⊕), 45 mm (2, N, 1) Wire stripping length at 1.5 mm ² and 2.5 mm ² : 9 mm
Power with ⊕	 2, N, ⊕, 1 Code 1	white black	92.943.3053.0 92.943.3053.1	92.943.0053.0 92.943.0053.1
	 2, N, ⊕, 1 Code 2	pebble gray	92.943.3553.0	92.943.0153.0
		Type	GST18i4 S B1 Z R1	GST18i4 F B2 Z R1

Male connector



Application	Coding	Color	Part No.	Part No.
			Screw connection with strain relief Cable solid/fine-stranded 0.75 – 2.5 mm ² Connections p. pole 1, without ferrules H05VV, NYM ¹⁾ 7.1 – 12.0 mm Sheath strip length 38 mm (⊕), 31 mm (2, N, 1) Wire stripping length 7 mm	Spring clamp connection with strain relief Cable rigid 1.5 – 2.5 mm ² fine-stranded 1.5 mm ² with ferrules H05VV, NYM, 9.5 – 11.5 mm, lockable ²⁾ H05RNF ¹⁾ Connections p. pole 2, unassembled Sheath strip length 52 mm (⊕), 45 mm (2, N, 1) Wire stripping length at 1.5 mm ² and 2.5 mm ² : 9 mm
Power with ⊕	 1, ⊕, N, 2 Code 1	white black	92.944.3053.0 92.944.3053.1	92.944.0053.0 92.944.0053.1
	 1, ⊕, N, 2 Code 2	pebble gray	92.944.3553.0	92.944.0153.0
		Type	GST18i4 S S1 Z R1	GST18i4 F S2 Z