




Metric cable glands

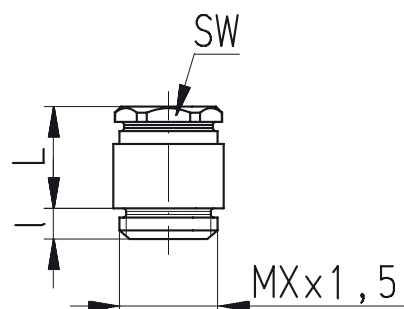
Cable glands, IP54, with strain relief	Description		Type		Part No.	P.U.
		Cable glands metal		Cable Ø [mm]	SW [mm]	l [mm]
	M20x1.5	8.5 – 14	24	6	Z5.507.5821.0	1
	M25x1.5	12 – 20	34	7	Z5.507.6021.0	1
	M32x1.5	18 – 28	42	8	Z5.507.6221.0	1
	M40x1.5	24 – 34	52	8	on request	
Technical data						
	Material	nickel-plated brass				
	Color	-				
	Degree of protection	IP54				
	Flammability	-				

Bushing, IP54	Description		Type		Part No.	P.U.
		Bushing metal		Cable Ø [mm]	SW [mm]	l [mm]
	M16x1.5	2 – 10.5	-	6	Z5.507.2121.0	1
	M20x1.5	3 – 14.5	-	6	Z5.507.2221.0	1
	M25x1.5	7.5 – 19	-	7	Z5.507.2321.0	1
	M32x1.5	15 – 26.5	-	8	Z5.507.2421.0	1
Technical data						
	Material	nickel-plated brass				
	Color	-				
	Degree of protection	IP54				
	Flammability	-				

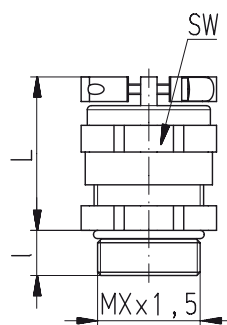
Strain relief, IP54	Description		Type		Part No.	P.U.
		Cable glands metal		Cable Ø [mm]	SW [mm]	l [mm]
	M16x1.5	6 – 9	18	5	Z5.507.9521.0	10
	M20x1.5	9 – 13.5	22	6	Z5.507.9621.0	10
	M25x1.5	14 – 20	30	7	Z5.507.9721.0	10
	M32x1.5	19 – 29	39	8	Z5.507.9821.0	10
Technical data						
	Material	nickel-plated brass				
	Color	-				
	Degree of protection	IP54				
	Flammability	-				

Dimensions

Cable glands, IP54, metal



Cable glands, IP54, with strain relief, metal



Strain relief, IP54, metal

