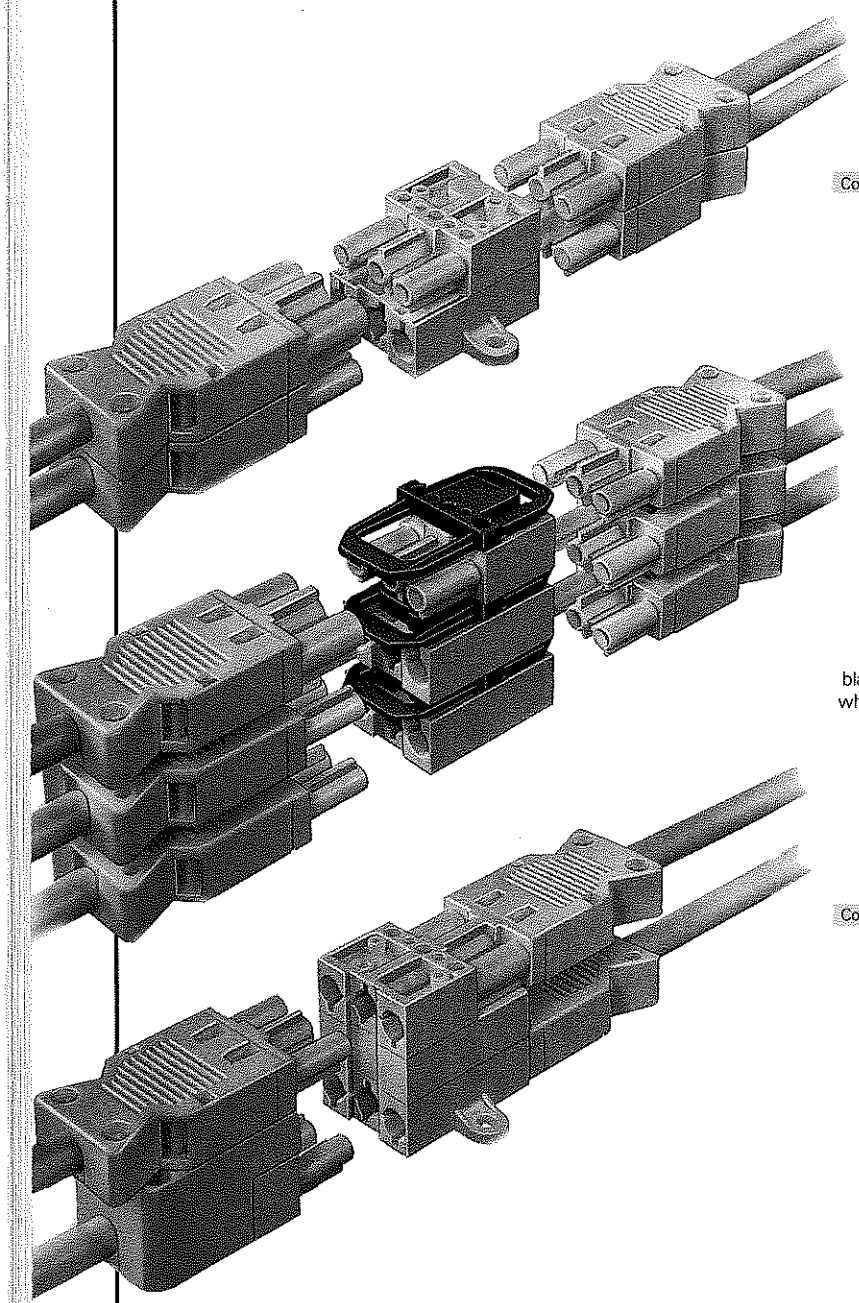


# Intermediate coupling/distribution boards

250 V, 16 A

# ST 18/3



		1 socket - 1 plug		3 sockets - 1 plug	
		Intermediate coupling		Distribution board for the screw version	
Colour		Part no.	Box Qty.	Part no.	Box Qty.
		black white	93.030.5953.0 100 93.030.5958.0 100	without fixing option 93.030.4953.0 100 93.030.4958.0 100	
Colour		Part no.	Box Qty.	Part no.	Box Qty.
		black white		with screw-in eyes 93.030.4853.0 100 93.030.4858.0 100	

**Note:** The screw version can only be used without restriction for the distribution board versions provided.

		3 sockets - 1 plug		3 sockets - 1 plug		5 sockets - 1 plug <sup>1)</sup>		5 sockets - 1 plug <sup>1)</sup>	
		Distribution board <sup>1)</sup> without fixing option		Distribution board <sup>1)</sup> with screw-in eyes		without fixing option		with screw-in eyes	
Colour		Part no.	Box Qty.	Part no.	Box Qty.	Part no.	Box Qty.	Part no.	Box Qty.
		black white	without locking device 93.030.4753.0 100 93.030.4758.0 100	without locking device 93.030.4653.0 100 93.030.4658.0 100		without locking device 93.030.5053.0 100 93.030.5058.0 100		without locking device 93.030.5153.0 100 93.030.5158.0 100	
Colour		Part no.	Box Qty.	Part no.	Box Qty.	Part no.	Box Qty.	Part no.	Box Qty.
		black white	with locking device 93.030.2553.1 50 93.030.2553.0 50	with locking device 93.030.2753.1 50 93.030.2753.0 50		with locking device 93.030.3553.1 50 93.030.3553.0 50		with locking device 93.030.3753.1 50 93.030.3753.0 50	

<sup>1)</sup> Only a restricted component set is possible with screw components => use a distribution board with intermediate levels (pg.20).

<sup>1)</sup> Only a restricted component set is possible with screw components => use a distribution board with intermediate levels (pg.20).

<sup>1)</sup> Only a restricted component set is possible with screw components => use a distribution board with intermediate levels (pg.20).

<sup>1)</sup> Only a restricted component set is possible with screw components => use a distribution board with intermediate levels (pg.20).