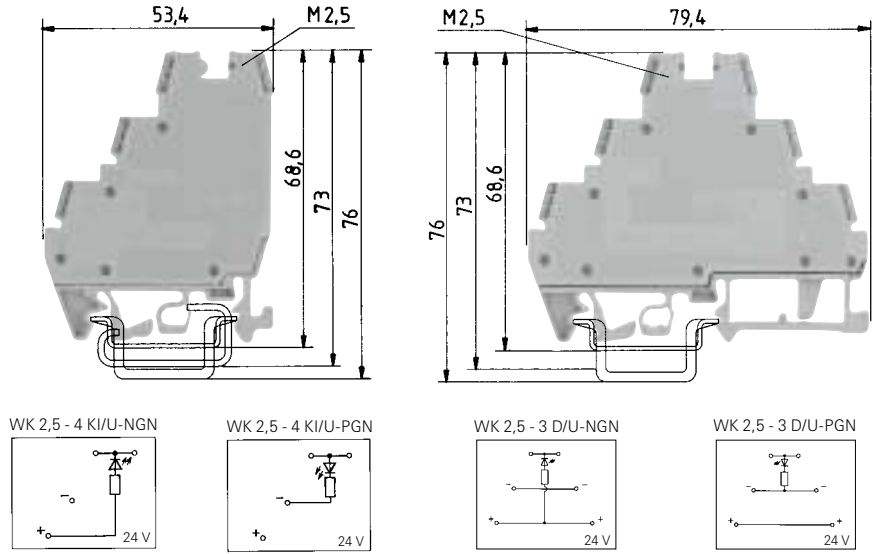


Initiator blocks with screw connection



EN 60947-7-1/DIN VDE 0611 T1
 UL ratings Field/factory wiring
 CSA ratings
 Width Wire strip length
 Approvals

WK 2,5-4 KI/U

fine-stranded solid V A
 0.5-2.5mm² 0.5-4mm² 250V/4kV/3*
 No. 22-12 AWG 300V*
 No. 22-12 AWG 300V*
 6mm 7mm
 EPM

WK 2,5-3 D/U

fine-stranded solid V A
 0.5-2.5mm² 0.5-4mm² 400V/6kV/3*
 No. 22-12 AWG 300V*
 No. 22-12 AWG 300V*
 6mm 7mm
 EPM

		Type	Part No.	Std. Pack	Type	Part No.	Std. Pack
Initiator block	gray	WK 2,5 - 4 KI/U	57.503.7855.0	100			
Multi-tier block	gray				WK 2,5 - 3 D/U	57.503.8855.0	50
with LED (green) between signal and plus	gray	WK 2,5 - 4 KI/U-NGN	57.503.7955.0	100	WK 2,5 - 3 D/U-NGN	57.503.8955.0	50
with LED (green) between signal and minus	gray	WK 2,5 - 4 KI/U-PGN	57.503.8055.0	100	WK 2,5 - 3 D/U-PGN	57.503.9055.0	50
with LED (red) between signal and minus	gray						
Accessories							
1. Mounting rail TS 35, DIN rail 7.5mm high	L = 2m	35 x 27 x 7,5 EN 60715	98.300.0000.0	1	35 x 27 x 7,5 EN 60715	98.300.0000.0	1
Mounting rail TS 35, DIN rail, 15mm high	L = 2m	35 x 27 x 15 EN 60715	98.370.0000.0	1	35 x 27 x 15 EN 60715	98.370.0000.0	1
Mounting rail TS 32, G rail	L = 2m	9006 EN 60715 G-32	98.190.0000.0	1	9006 EN 60715 G-32	98.190.0000.0	1
2. End clamp with U-foot	10mm wide	WE 1/U	Z5.523.5753.0	100	WE 1/U	Z5.523.5753.0	100
End clamp TS 35, with screw	8mm wide	9708/2 S 35	Z5.522.8553.0	100	9708/2 S 35	Z5.522.8553.0	100
End clamp TS 35, without screw	8mm wide	WEF 1/35	Z5.523.9353.0	100	WEF 1/35	Z5.523.9353.0	100
3. Partition	gray	TW 2,5 - 4 K/U	07.312.0555.0	10	TW 2,5 - 3 D/U	07.312.1255.0	50
4. Cross connector with screws	2 pole				IVB WK/3D-02	Z7.270.0227.0	10
insulated	3 pole				IVB WK/3D-03	Z7.270.0327.0	10
	up to 12 pole				IVB WK/3D-12	Z7.270.1227.0	10
5. Jumper comb, elbowed	2 pole	IVB WK 2,5-K-2 ROT	Z7.267.0227.5	10	IVB WK 2,5-K-2 ROT	Z7.267.0227.5	10
insulated (red) for lower level	3 pole	IVB WK 2,5-K-3 ROT	Z7.267.0327.5	10	IVB WK 2,5-K-3 ROT	Z7.267.0327.5	10
	up to 12 pole	IVB WK 2,5-K-12 ROT	Z7.267.1227.5	10	IVB WK 2,5-K-12 ROT	Z7.267.1227.5	10
Jumper comb, elbowed	2 pole	IVB WK 2,5-K-2 BLAU	Z7.267.0227.6	10	IVB WK 2,5-K-2 BLAU	Z7.267.0227.6	10
insulated (blue) for lower level	3 pole	IVB WK 2,5-K-3 BLAU	Z7.267.0327.6	10	IVB WK 2,5-K-3 BLAU	Z7.267.0327.6	10
	up to 12 pole	IVB WK 2,5-K-12 BLAU	Z7.267.1227.6	10	IVB WK 2,5-K-12 BLAU	Z7.267.1227.6	10
For more accessories see pages 62-79		• The use of cross connectors (jumper combs), requires partitions in order to maintain the air and creepage distances.					
For marking systems see pages 72-77		* 24 V~ with LED					