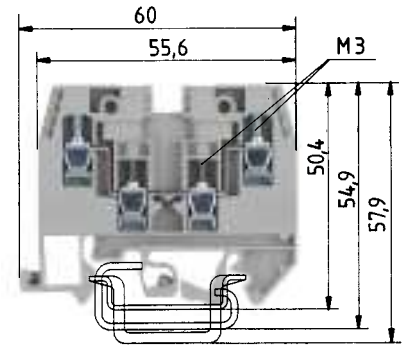
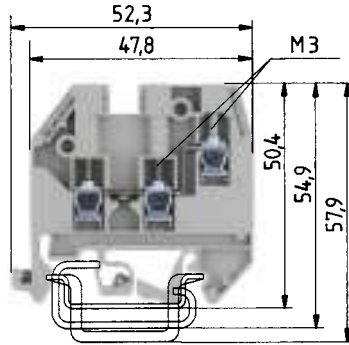


## Duo feed-through blocks with screw connection



0344 II 2GD IM2  
Ex e I/II  
EN 60947-7-1  
UL ratings  
CSA ratings  
KEMA 02 ATEX 2114 U<sup>1)</sup>  
Width  
Approvals

Field/factory wiring  
EN 60079-0/EN 60079-7  
Wire strip length

### WK 4/D 1/2 /U

fine-stranded solid V  
0.5-4 mm<sup>2</sup> 0.5-6 mm<sup>2</sup> 800 V<sup>2)</sup>/6 kV/3

No. 22-10 AWG 600 V  
No. 20-10 AWG 600 V  
0.5-4 mm<sup>2</sup> 0.5-6 mm<sup>2</sup> 690 V  
6 mm  
9 mm



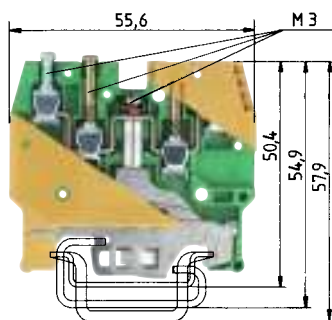
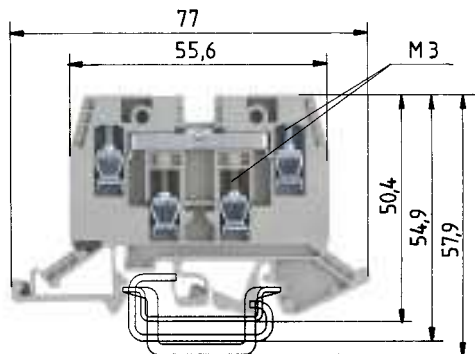
### WK 4/D 2/2 /U

A fine-stranded solid V A  
32 0.5-4 mm<sup>2</sup> 0.5-6 mm<sup>2</sup> 800 V<sup>2)</sup>/6 kV/3 32

No. 22-10 AWG 600 V 30  
No. 20-10 AWG 600 V 30  
0.5-4 mm<sup>2</sup> 0.5-6 mm<sup>2</sup> 690 V 29/30<sup>2)</sup>  
6 mm 9 mm



		Type	Part No.	Std. Pack	Type	Part No.	Std. Pack
<b>Duo feed-through block</b>	gray	WK 4/D 1/2 /U	57.504.5055.0	100	WK 4/D 2/2 /U	57.504.5155.0	100
<b>Duo feed-through block</b>	blue	WK 4/D 1/2 /U BLAU	57.504.5055.6	100	WK 4/D 2/2 /U BLAU	57.504.5155.6	100
<b>Duo multi-tier block</b>	gray						
<b>Duo ground block</b>	green / yellow						
<b>Accessories</b>							
1. Mounting rail TS 35, DIN rail 7.5 mm high	L = 2 m	35 x 27 x 7,5 EN 60715	98.300.0000.0	1	35 x 27 x 7,5 EN 60715	98.300.0000.0	1
Mounting rail TS 35, DIN rail, 15 mm high	L = 2 m	35 x 27 x 15 EN 60715	98.370.0000.0	1	35 x 27 x 15 EN 60715	98.370.0000.0	1
Mounting rail TS 32, G rail <sup>3)</sup>	L = 2 m	9006 EN 60715 G-32	98.190.0000.0	1	9006 EN 60715 G-32	98.190.0000.0	1
2. End clamp with U-foot <sup>3)</sup>	10 mm wide	WE 1/U	Z5.523.5753.0	100	WE 1/U	Z5.523.5753.0	100
End clamp TS 35, with screw	8 mm wide	9708/2 S 35	Z5.522.8553.0	100	9708/2 S 35	Z5.522.8553.0	100
End clamp TS 35, without screw	8 mm wide	WEF 1/35	Z5.523.9353.0	100	WEF 1/35	Z5.523.9353.0	100
3. End plate	gray	AP 4/D 1/2	07.311.6455.0	10	AP 4/D..	07.311.6355.0	10
	blue	AP 4/D 1/2 BLAU	07.311.6455.6	10	AP 4/D.. BLAU	07.311.6355.6	10
4. Partition	gray						
5. Cross connector with screws	2 pole	IVB WK 4 D...-2	Z7.281.7227.0	10	IVB WK 4 D...-2	Z7.281.7227.0	10
insulated	3 pole	IVB WK 4 D...-3	Z7.281.7327.0	10	IVB WK 4 D...-3	Z7.281.7327.0	10
	up to 12 pole	IVB WK 4 D...-12	Z7.281.8227.0	10	IVB WK 4 D...-12	Z7.281.8227.0	10
Jumper comb for lower tier blocks	2 pole	IVK WK 4/D...-2	Z7.256.2227.0	10	IVK WK 4/D...-2	Z7.256.2227.0	10
insulated	3 pole	IVK WK 4/D...-3	Z7.256.2327.0	10	IVK WK 4/D...-3	Z7.256.2327.0	10
	up to 12 pole	IVK WK 4/D...-12	Z7.256.3227.0	10	IVK WK 4/D...-12	Z7.256.3227.0	10
6. Partition plate with marking facility		TS 4/15 GELB	07.311.2953.8	10	TS 4/15 GELB	07.311.2953.8	10
7. Single cover with marking facility		AD VB 4 GELB	04.326.2153.8	10	AD VB 4 GELB	04.326.2153.8	10
8. Cover with warning symbol over 4 blocks							
For more accessories see pages 62-79		<sup>1)</sup> Please note the mounting instructions.		<sup>2)</sup> With/without jumper		<sup>3)</sup> Do not use in Ex environments.	
For marking systems see pages 72-77		<sup>4)</sup> Ratings to adjacent feed-through blocks of the same series and size.					



Enclosed design

**WK 4/D EU**

fine-stranded solid V A  
 0.5-4 mm<sup>2</sup> 0.5-6 mm<sup>2</sup> 320 V/4 kV/3<sup>5)</sup> 32

No. 22-10 AWG 300 V<sup>6)</sup> 30  
 No. 20-12 AWG 300 VC/600 VD, E<sup>6)</sup> 30  
 0.5-4 mm<sup>2</sup> 0.5-6 mm<sup>2</sup> 275 V<sup>6)</sup> 22/22<sup>2)</sup>  
 6 mm 9 mm



**WK 4/D 2/2 SL U**

fine-stranded solid V A  
 0.5-4 mm<sup>2</sup> 0.5-6 mm<sup>2</sup>

No. 22-10 AWG  
 No. 20-12 AWG  
 0.5-4 mm<sup>2</sup> 0.5-6 mm<sup>2</sup>  
 6 mm 9 mm



Type	Part No.	Std. Pack	Type	Part No.	Std. Pack
WK 4/D EU	57.504.5255.0	100	WK 4/D 2/2 SL U	57.504.9155.0	100
35 x 27 x 7,5 EN 60715	98.300.0000.0	1	35 x 27 x 7,5 EN 60715	98.300.0000.0	1
35 x 27 x 15 EN 60715	98.370.0000.0	1	35 x 27 x 15 EN 60715	98.370.0000.0	1
9006 EN 60715 G-32	98.190.0000.0	1	9006 EN 60715 G-32	98.190.0000.0	1
WE 1/U	Z5.523.5753.0	100			
9708/2 S 35	Z5.522.8553.0	100			
WEF 1/35	Z5.523.9353.0	100			
AP 4/D...	07.311.6355.0	10			
AP 4/D.. BLAU	07.311.6355.6	10			
IVB WK 4/DEU-2	Z7.271.0227.0	10			
IVB WK 4 /DEU-3	Z7.271.0327.0	10			
IVB WK 4/DEU-12	Z7.271.1227.0	10			
IVK WK 4/D...-2	Z7.256.2227.0	10			
IVK WK 4/D...-3	Z7.256.2327.0	10			
IVK WK 4/D...-12	Z7.256.3227.0	10			
TS 4/15 GELB	07.311.2953.8	10			
AD VB 4 GELB	04.326.2153.8	10			

<sup>5)</sup> 630 V/6 kV/3 with partition plate 07.311.2953.8 between two adjacent blocks  
<sup>6)</sup> With partition plate 07.311.2953.8 between two adjacent blocks  
<sup>7)</sup> End plates must be used when SL blocks and other types are snapped in next to each other.