



Local safety enclosures

Load break switches

enclosed SIRCO (M) from 16 to 1250 A



coff_337_a_1_cat

SIRCO M
in polycarbonate enclosure



coff_292_a_1_cat

SIRCO
in polyester enclosure



coff_295_a_1_cat

SIRCO in steel enclosure
with front operation

The solution for

- > OEM.
- > Industries.
- > Service sector buildings.
- > Power distribution.



Strong points

- > Safety of operations.
- > Inductive load breaking (AC23).
- > Complete range.

Conformity to standards

- > IEC 60947-3
- > IEC 60364
- > EN 60947-3
- > EN 61439
- > EN 60204-1
- > UL 508
(please consult us)



Available on request

- > Customised solutions upon request.

Function

SIRCO M and **SIRCO enclosures** incorporate three or four pole manually operated load break switches which make and break on load and provide isolation for any low voltage electrical circuit. The enclosure provides protection against contact with live parts as well as environmental factors such as dust, water and other hazards.

Advantages

Safety of operations

Door interlocking and positive break indication provide increased safety for the operator.

Inductive load breaking (AC23)

This enclosure range is provided with SIRCO M and SIRCO type load break switches which are adapted to highly inductive loads.

Complete range

The range offers a wide variety of variants depending on the number of poles, rating and enclosure type.

SIRCO M polycarbonate enclosure

Front operation



General characteristics

- Equipped with a 3 pole SIRCO M.
- 1 removable neutral terminal and 1 removable earth terminal.
- Possibility of adding 1 additional pole.
- Possibility of adding 1 M-type auxiliary contact module.
- Protection IP65.

References

Enclosed switches

Rating (A)	No. of pole	Handle colour	Enclosure colour	Reference
16	3 P	Black	Grey	2215 3300
16	3 P	Red	Yellow	2215 3400
20	3 P	Black	Grey	2215 3301
20	3 P	Red	Yellow	2215 3401
25	3 P	Black	Grey	2215 3302
25	3 P	Red	Yellow	2215 3402
32	3 P	Black	Grey	2215 3303
32	3 P	Red	Yellow	2215 3403
40	3 P	Black	Grey	2215 3304
40	3 P	Red	Yellow	2215 3404
63	3 P	Black	Grey	2215 3306
63	3 P	Red	Yellow	2215 3406
80	3 P	Black	Grey	2215 3308
80	3 P	Red	Yellow	2215 3408
100	3 P	Black	Grey	2215 3309 ⁽¹⁾
100	3 P	Red	Yellow	2215 3409 ⁽¹⁾

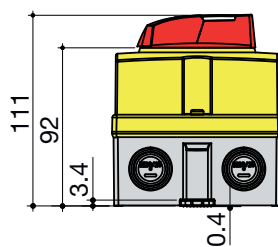
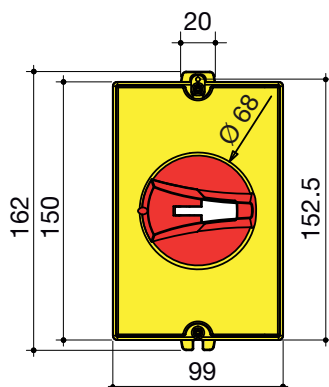
(1) No UL.

Empty enclosures

Rating (A)	No. of pole	Handle colour	Enclosure colour	Reference
16 ... 40	3 P	Black	Grey	2215 9305
16 ... 40	3 P	Red	Yellow	2215 9405
63 ... 80	3 P	Black	Grey	2215 9309
63 ... 80	3 P	Red	Yellow	2215 9409

Dimensions

SIRCO M 16 to 40 A

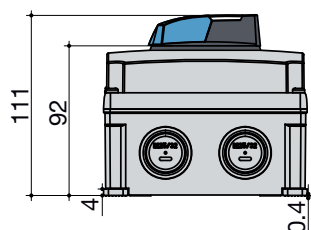
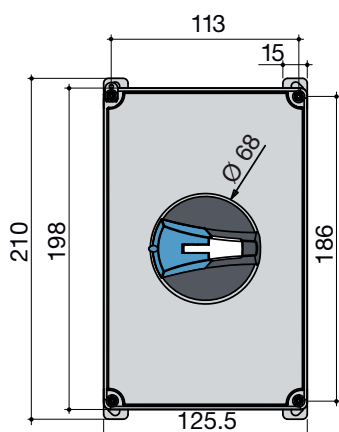


sircm_130_c_1_cat

For enclosure 162 x 99 mm

- 4 pre-drilled holes M16 (on the side).
- 4 pre-drilled holes M20 / M25 (top and bottom).
- 4 pre-drilled holes M20 (rear).

SIRCO M 63 to 100 A



sircm_131_b_1_cat

For enclosure 210 x 125.5 mm

- 4 pre-drilled holes M16 (on the side).
- 4 pre-drilled holes M25 / M32 (top and bottom).
- 2 pre-drilled holes M25 / M32 (rear).

Local safety enclosures

Load break switches

enclosed SIRCO (M) from 16 to 1250 A

SIRCO polyester enclosure

Front operation

coff_292_a_2_cat



References

Rating (A)	No. of poles	Top/Bottom Connection Reference ⁽¹⁾	Bottom/Bottom Connection Reference ⁽¹⁾
125	3 P	3115 3012	3125 3012
125	4 P	3115 4012	3125 4012
160	3 P	3115 3016	3125 3016
160	4 P	3115 4016	3125 4016
250	3 P	3115 3025	3125 3025
250	4 P	3115 4025	3125 4025
400	3 P	3115 3040	3125 3040
400	4 P	3115 4040	3125 4040
500	3 P	3115 3050	3125 3050
500	4 P	3115 4050	3125 4050

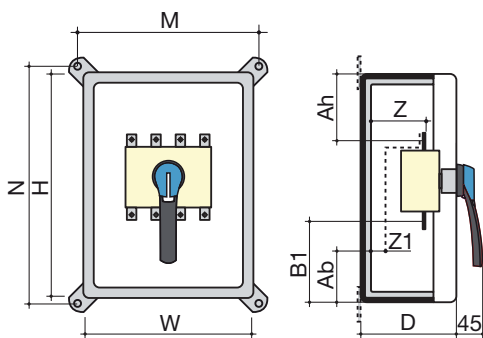
General characteristics

- Adapted to chemical attack, dust hazard, contamination hazard and atmospheric corrosion.
- Operation handle: S-type black padlockable handle.
- Protection degree: IP55.
- Colour: RAL 7030.
- Closing plate: N/A.
- Material: glass fibre reinforced polyester.
- Coating: N/A.
- Wall mounting: 4 fixing lugs supplied, not mounted
- Locking system: screw.

(1) Combined fuse version: Please consult us.

Dimensions

coff_114_d_1_gh_cat



Rating (A)	H x W x D (mm)	Connection cross-section (mm ²)	M (mm)	N (mm)	Z (mm)	Z1 (mm)	Top/Bottom connection			Bottom/Bottom connection		
							Ah (mm)	B1 (mm)	Weight (kg)	Ab (mm)	B1 (mm)	Weight (kg)
125	360 x 270 x 171	50	271	361	33		120	126	5			
125	360 x 270 x 201	50	271	361	62	28				166	205	6
160	360 x 270 x 171	95	271	361	33		120	126	5			
160	360 x 270 x 201	95	271	361	62	28				166	205	6
250	540 x 360 x 171	150	361	541	35		200	210	8			
250	540 x 360 x 201	150	361	541	55	25				279	360	10
400	720 x 540 x 201	240	541	721	42		258	258	18	316	433	23
500	720 x 540 x 201	240	541	721	51	38	258	258	18	316	433	24

SIRCO steel enclosure with front operation

■ Front operation

coff_295_s_1_cat



General characteristics

- Adapted to mechanical risk and dust hazard.
- Operation handle: S-type black padlockable handle.
- Protection degree: IP55 / IK 10.
- Colour: RAL 7032.
- Cable gland plate: top and bottom.
- Material: XC steel, thickness 1.5 to 2 mm.
- Coating: epoxy polyester powder.
- Wall mounting: 4 holes in the back of the enclosure.
- Door: solid with hinges.
- Locking system: 3 mm double-bar key (key supplied).
- Miscellaneous: 2 earth connection points, disconnectable solid neutral link for 3+N, extension boxes for top and/or bottom connections available, IP20 incoming terminal shrouds.
- Please consult us.