



Current transformers

Measurement devices

from 5 to 5000 A



The solution for

- > Industry.
- > Service sector.



Strong points

- > An adapted accuracy class.
- > A wide range of ratings and dimensions.
- > Quick and easy to mount.

Conformity to standards

- > IEC 61869-2
- > IEC 61439-1



Other products

SOCOMECC also offer customised solutions:

- > 1 A secondary.
- > Double or triple primary ratio.
- > Voltage transformer.
- > Summation CTs.

Function

SOCOMECC current transformers deliver to the secondary a standard current proportional to the primary current and adapted to the rating of the associated device. They are equipped as standard with removable terminal covers and double terminals allowing the secondary to be short-circuited without any risk.

They are mounted using two screw-on metal brackets or, in certain cases, by a clip-on DIN-rail fastener. The connections are made by screws or by fast-on terminals.

- Accuracy class: 0.2s - 0.5 or 1.
- Dielectric quality: 3 kV - 50 Hz - 1 min.
- Operating frequency: 50 - 60 Hz.
- Permanent overload: 1.2 In.
- Insulation class: E (120 °C).

Advantages

An adapted accuracy class

In order to get the best of your DIRIS multifunction meters and COUNTIS energy meters, we can provide current transformers with the following accuracy classes: 0.2s; 0.5; 1 or 3.

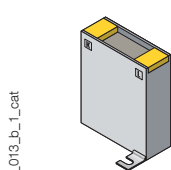
A wide range of ratings and dimensions

Your measurement process can be optimised whatever your needs in terms of ratings, space requirements, conductor sizing or accuracy class. A wide range of combinations are available in our standard range with specific versions available on request (other ratios, tropicalisation and specific frequency, class or burden).

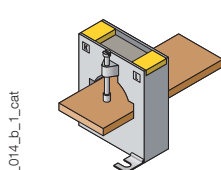
Quick and easy to mount

Our current transformers are adapted to any type of mounting: edgewise or flat mounting, DIN-rail or back-plate mounting. Implementation is easy and rapid.

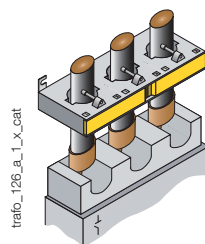
Composition of the range



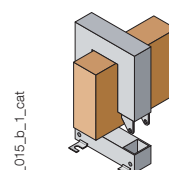
Primary wound moulded case CT



Bar or cable-through CT



Bar or cable-through three-phase CT



Split-core CT

Primary wound moulded case CT

References

Primary	Secondary ⁽¹⁾	TRB 60		TRB 70		T2RB 115		TRB 135	
		Class 0.5	Reference	Class 0.5	Reference	Class 0.2s	Reference	Class 0.5	Reference
5 A	5 A	2.5 VA	192T 0505	10 VA	192T 0521				
10 A	5 A	2.5 VA	192T 0510	10 VA	192T 0522				
15 A	5 A	2.5 VA	192T 0515	10 VA	192T 0523				
20 A	5 A	2.5 VA	192T 0520	10 VA	192T 0524				
25 A	5 A			10 VA	192T 0525	7.5 VA	192U 0402	10 VA	192T 0603
30 A	5 A			5 VA	192T 0530	7.5 VA	192U 0403	10 VA	192T 0607
40 A	5 A			5 VA	192T 0540	7.5 VA	192U 0404	10 VA	192T 0604
50 A	5 A			5 VA	192T 0550	7.5 VA	192U 0405	10 VA	192T 0605
60 A	5 A					7.5 VA	192U 0406	10 VA	192T 0606
75 A	5 A					7.5 VA	192U 0407	10 VA	192T 0608
80 A	5 A					7.5 VA	192U 0408	10 VA	192T 0609
100 A	5 A							10 VA	192T 0610
125 A	5 A					7.5 VA	192U 0412	10 VA	192T 0612
150 A	5 A					7.5 VA	192U 0415	10 VA	192T 0615

(1) Secondary 1 A: on request.

Accessories

Description of accessories	TRB 60 Reference	TRB 70 Reference	TRB 135 Reference
DIN-rail mounting	192T 0003	192T 0005 ⁽¹⁾	
Sealable cover	192T 0105	192T 0103	192T 0101 ⁽²⁾

(1) Not available for 50 A rating

(2) For 125 and 150 A ratings, use reference 192T 0103

CT Plug-in transducer (CEA-VA)

Power supply	Output	TRB 60 Reference	TRB 70 Reference
Self-supplied	0-20 mA/0-10 VDC	192Y 0015	192Y 0025 ⁽¹⁾
230 VAC	0-20 mA/0-10 VDC	192Y 0215	192Y 0225 ⁽¹⁾
24 VDC	0-20 mA/0-10 VDC	192Y 0115	192Y 0125 ⁽¹⁾

(1) Not available for 50 A rating

CT Plug-in transducer (CEA-VA4)

Power supply	Output	TRB 60 Reference	TRB 70 Reference
230 VAC	4-20 mA/0-10 VDC	192Y 0255	192Y 0265 ⁽¹⁾
24 VDC	4-20 mA/0-10 VDC	192Y 0155	192Y 0165 ⁽¹⁾

(1) Not available for 50 A rating

Certificate of performance

Each class 0.2s current transformer is supplied with an individual certificate of performance, attesting to its accuracy.

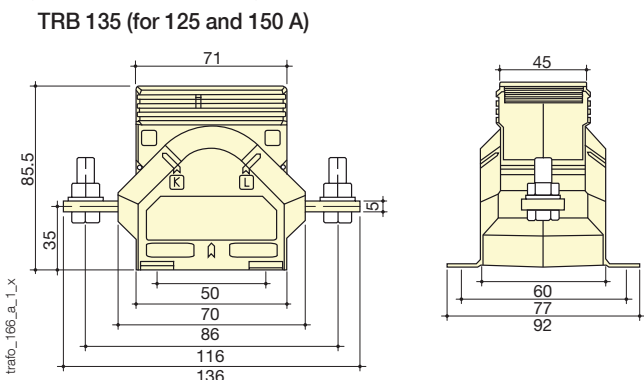
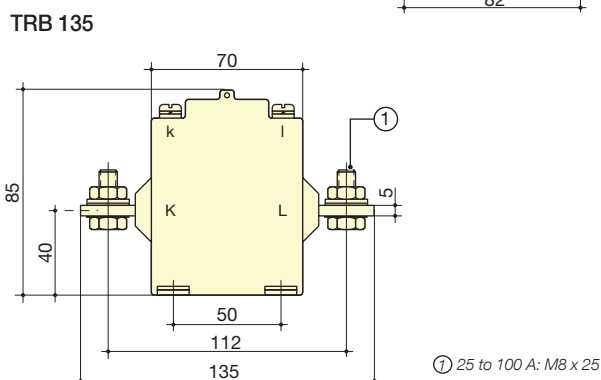
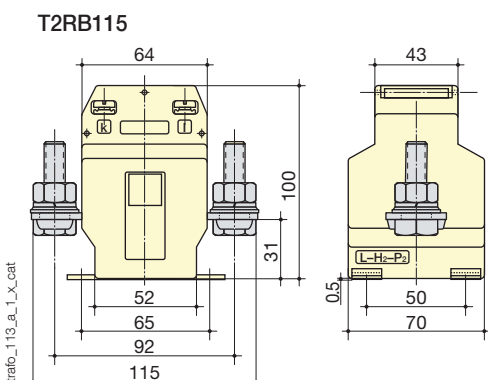
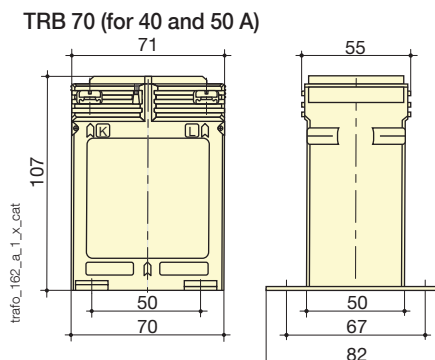
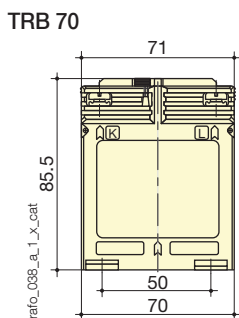
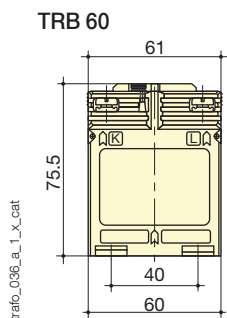
Current transformers

Measurement devices

from 5 to 5000 A

Primary wound moulded case CT (continued)

Dimensions



Primary wound CT	TRB 60	TRB 70 ⁽¹⁾	T2RB 115	TRB 135 ⁽²⁾
H x W x D (mm)	75,5 x 61 x 35	85,5 x 71 x 45	115 x 100 x 70	85 x 135 x 60
DIN-rail mounting	yes	yes	no	no

(1) Dimensions are different for TRB 70 with 40 and 50 A ratings.

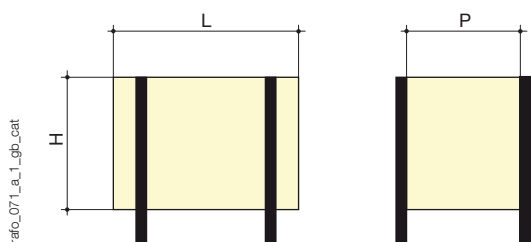
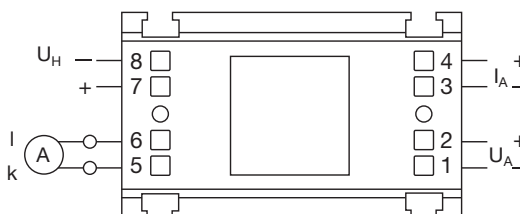
(2) Dimensions are different for TRB 135 with 125 and 150 A ratings.

Associated transducers



Transducer to be associated with adapted current transformers:

- Class 0.5.
- Input: 1 or 5 A.
- Output:
 - 0-20 mA, 0-10 V (type CEA-VA)
 - 4-20 mA, 0-10 V (type CEA-VA4)
- Self-supplied or auxiliary power supply 24 VDC or 230 VAC.
- 3 sizes according to the CT: type 1, 2 or 3.



Dimensions (mm)

Converter	For CT	Height (mm)	Width (mm)	Depth (mm)
Type 1	TRB 60	50.5	60	32.5
Type 2	TRB 70	50	70	43

Cable-through CT

References

Primary	Secondary ⁽¹⁾	TCA 14		TCA 21			TCA 22		T2CA 225	
		Class 1	Reference	Class 1	Class 0.5	Reference	Class 1	Reference	Class 0.2s	Reference
40 A	5 A	1	192T 1404							
50 A	5 A	1	192T 1405							
60 A	5 A	1.5	192T 1406	1 VA		192T 2006				
75 A	5 A	1.5	192T 1407	1.5 VA		192T 2007				
80 A	5 A			1.5 VA		192T 2008				
100 A	5 A	2.5	192T 1410		1.5 VA	192T 2010	1 VA	192T 2022		
125 A	5 A	2.5	192T 1412		1.5 VA	192T 2012				
150 A	5 A	2.5	192T 1415		1.5 VA	192T 2015	1.5 VA	192T 2023	1.5 VA	192U 2215
200 A	5 A				2.5 VA	192T 2020	2.5 VA	192T 2024	2.5 VA	192U 2220
250 A	5 A				2.5 VA	192T 2016	3.75 VA	192T 2025	5 VA	192U 2225
300 A	5 A				2.5 VA	192T 2017	3.75 VA	192T 2030	5 VA	192U 2230
400 A	5 A						5 VA	192T 2034	5 VA	192U 2240
500 A	5 A						5 VA	192T 2035 ⁽²⁾	10 VA	192U 2250
600 A	5 A						5 VA	192T 2036 ⁽²⁾	10 VA	192U 2260

(1) Secondary 1 A: on request.

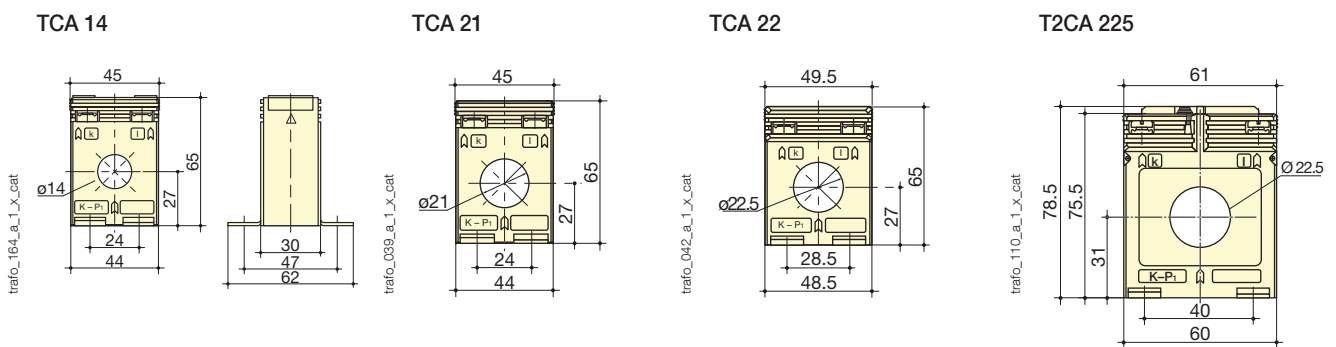
(2) Dimensions of T2CA 225

Accessories

Description of accessories	TCA 14 Reference	TCA 21 Reference	TCA 22 Reference	T2CA 225 Reference
DIN-rail mounting	192T 0006	192T 0006	192T 0007	192T 0003
Copper guide tube Ø 8.5 mm ⁽¹⁾		192T 0020		
Copper guide tube Ø 12.5 mm ⁽¹⁾		192T 0021	192T 0023	
Copper guide tube Ø 16.5 mm ⁽¹⁾			192T 0024	
Sealable cover				192T 0105

(1) For centralising cables within the CT aperture.

Dimensions



Cable-through CT	TCA 14	TCA 21	TCA 22	T2CA 225 ⁽¹⁾
Ø cable (mm)	14	21	22.5	22.5
H x W x D (mm)	65 x 45 x 30	65 x 45 x 30	65 x 49.5 x 35	78.5 x 61 x 35
DIN-rail mounting	yes	yes	yes	yes

(1) Dimensions are different for 600 A: 78.5x61x35.

Current transformers

Measurement devices

from 5 to 5000 A

Bar or cable-through CT

References

Primary	Secondary ⁽¹⁾	TCB 17-20		TCB 26-30			T2CB 26-30		TCB 28-30		
		Class 1	Reference	Class 0.5	Class 1	Reference	Class 0.2s	Reference	Class 0.5	Class 1	Reference
50 A	5 A				1 VA	192T 2305					
60 A	5 A	1 VA	192T 2106		1 VA	192T 2306					
75 A	5 A	1 VA	192T 2107		1.5 VA	192T 2307					
80 A	5 A	1.25 VA	192T 2108		1.5 VA	192T 2308				1.25 VA	192T 2408
100 A	5 A	1.5 VA	192T 2110	1.5 VA		192T 2310				1.5 VA	192T 2410
125 A	5 A	1.5 VA	192T 2112	1.5 VA		192T 2312				2.5 VA	192T 2412
150 A	5 A	2.5 VA	192T 2115	1.5 VA		192T 2315	1.5 VA	192U 2315		2.5 VA	192T 2415
160 A	5 A	2.5 VA	192T 2116								
200 A	5 A	2.5 VA	192T 2120	2.5 VA		192T 2320	2.5 VA	192U 2320	2.5 VA		192T 2420
250 A	5 A	5 VA	192T 2125	5 VA		192T 2325	2.5 VA	192U 2325	2.5 VA		192T 2425
300 A	5 A	5 VA	192T 2130	5 VA		192T 2330	5 VA	192U 2330	2.5 VA		192T 2430
400 A	5 A	5 VA	192T 2140	5 VA		192T 2340	5 VA	192U 2340	5 VA		192T 2440
500 A	5 A			5 VA		192T 2350	5 VA	192U 2350	5 VA		192T 2450
600 A	5 A			5 VA		192T 2360	5 VA	192U 2360			
750 A	5 A			5 VA		192T 2375	5 VA	192U 2375			

(1) Secondary 1 A: on request.

Primary	Secondary ⁽¹⁾	TCB 26-40		TCB 32-40			T2CB 32-40	
		Class 1	Reference	Class 0.5	Class 1	Reference	Class 0.2s	Reference
75 A	5 A				1.5 VA	192T 4007		
100 A	5 A	1.5 VA	192T 3210	1.5 VA		192T 4010		
125 A	5 A	2.5 VA	192T 3212	1.5 VA		192T 4012		
150 A	5 A	2.5 VA	192T 3215	2.5 VA		192T 4015		
160 A	5 A	2.5 VA	192T 3216					
200 A	5 A	2.5 VA	192T 3220	5 VA		192T 4020	2.5 VA	192U 4020
250 A	5 A	2.5 VA	192T 3225	5 VA		192T 4025	5 VA	192U 4025
300 A	5 A	5 VA	192T 3230	10 VA		192T 4030	5 VA	192U 4030
400 A	5 A	5 VA	192T 3240	10 VA		192T 4040	5 VA	192U 4040
500 A	5 A	5 VA	192T 3250	10 VA		192T 4050	5 VA	192U 4050
600 A	5 A	5 VA	192T 3260	10 VA		192T 4060	5 VA	192U 4060
750 A	5 A	10 VA	192T 3275	10 VA		192T 4075	5 VA	192U 4075
800 A	5 A			10 VA		192T 4080		
1000 A	5 A			10 VA		192T 4090		

(1) Secondary 1 A: on request.

Accessories

Description of accessories	TCB 17-20 Reference	TCB 26-30 Reference	TCB 26-40 Reference	TCB 32-40 Reference
DIN-rail mounting	192T 0007	192T 0003	192T 0003	192T 0005
Sealable cover		192T 0105	192T 0105	192T 0103

CT Plug-in transducer (CEA-VA)

Power supply	Output	TCB 26-30 Reference	TCB 26-40 Reference	TCB 32-40 Reference
Self-supplied	0-20 mA/0-10 VDC	192Y 0015	192Y 0015	192Y 0035
230 VAC	0-20 mA/0-10 VDC	192Y 0215	192Y 0215	192Y 0235
24 VDC	0-20 mA/0-10 VDC	192Y 0115	192Y 0115	192Y 0135

CT Plug-in transducer (CEA-VA4)

Power supply	Output	TCB 26-30 Reference	TCB 26-40 Reference	TCB 32-40 Reference
230 VAC	4-20 mA/0-10 VDC	192Y 0255	192Y 0255	192Y 0275
24 VDC	4-20 mA/0-10 VDC	192Y 0155	192Y 0155	192Y 0175

References

Primary	Secondary ⁽¹⁾	TCB 44-50		TCB 44-63		T2CB 44-63	
		Class 0.5	Reference	Class 0.5	Reference	Class 0.2s	Reference
150 A	5 A	1.5 VA	192T 5015				
200 A	5 A	2.5 VA	192T 5020	1.5 VA	192T 6420		
250 A	5 A	5 VA	192T 5025	1.5 VA	192T 6425		
300 A	5 A	5 VA	192T 5030	2.5 VA	192T 6430	5 VA	192U 6430
400 A	5 A	10 VA	192T 5040	5 VA	192T 6440	5 VA	192U 6440
500 A	5 A	10 VA	192T 5050	10 VA	192T 6450	10 VA	192U 6450
600 A	5 A	10 VA	192T 5060	10 VA	192T 6460	10 VA	192U 6460
750 A	5 A	10 VA	192T 5075	10 VA	192T 6475	10 VA	192U 6475
800 A	5 A	15 VA	192T 5080	10 VA	192T 6480		
1000 A	5 A	15 VA	192T 5090	15 VA	192T 6490	10 VA	192U 6490
1200 A	5 A	15 VA	192T 5092	15 VA	192T 6492	10 VA	192U 6492
1250 A	5 A	15 VA	192T 5095	15 VA	192T 6493	10 VA	192U 6493
1500 A	5 A			15 VA	192T 6495	10 VA	192U 6495
1600 A	5 A			15 VA	192T 6494		

(1) Secondary 1 A: on request.

Primary	Secondary ⁽¹⁾	TCB 55-80		TCB 85-100		TCB 100-125	
		Class 0.5	Reference	Class 0.5	Reference	Class 0.5	Reference
400 A	5 A	2.5 VA	192T 8140				
500 A	5 A	5 VA	192T 8150				
600 A	5 A	5 VA	192T 8160				
750 A	5 A	10 VA	192T 8175	2.5 VA	192T 9675		
800 A	5 A	10 VA	192T 8180	5 VA	192T 9680		
1000 A	5 A	15 VA	192T 8190	10 VA	192T 9690	5 VA	192T 9590
1200 A	5 A	15 VA	192T 8192	10 VA	192T 9692	10 VA	192T 9592
1250 A	5 A	15 VA	192T 8193	15 VA	192T 9693	10 VA	192T 9593
1500 A	5 A	15 VA	192T 8195	15 VA	192T 9695	15 VA	192T 9595
1600 A	5 A	15 VA	192T 8194	15 VA	192T 9694		
2000 A	5 A	15 VA	192T 8196	30 VA	192T 9696	30 VA	192T 9596
2500 A	5 A			30 VA	192T 9697	30 VA	192T 9597
3000 A	5 A			30 VA	192T 9698	30 VA	192T 9598

(1) Secondary 1 A: on request.

Accessories

Description of accessories	TCB 44-50 Reference	TCB 44-63 Reference	TCB 55-80 Reference	TCB 85-100 Reference	TCB 100-125 Reference
Sealable cover	192T 0102	192T 0102	192T 0102	192T 0106	192T 0106

CT Plug-in transducer (CEA-VA)

Power supply	Output	TCB 44-50 Reference	TCB 44-63 Reference	TCB 55-80 Reference
Self-supplied	0-20 mA/0-10 VDC		192Y 0045	192Y 0045
230 VAC	0-20 mA/0-10 VDC		192Y 0245	192Y 0245
24 VDC	0-20 mA/0-10 VDC		192Y 0145	192Y 0145

CT Plug-in transducer (CEA-VA4)

Input	Output	TCB 44-50 Reference	TCB 44-63 Reference	TCB 55-80 Reference
230 VAC	4-20 mA/0-10 VDC		192Y 0285	192Y 0285
24 VDC	4-20 mA/0-10 VDC		192Y 0185	192Y 0185

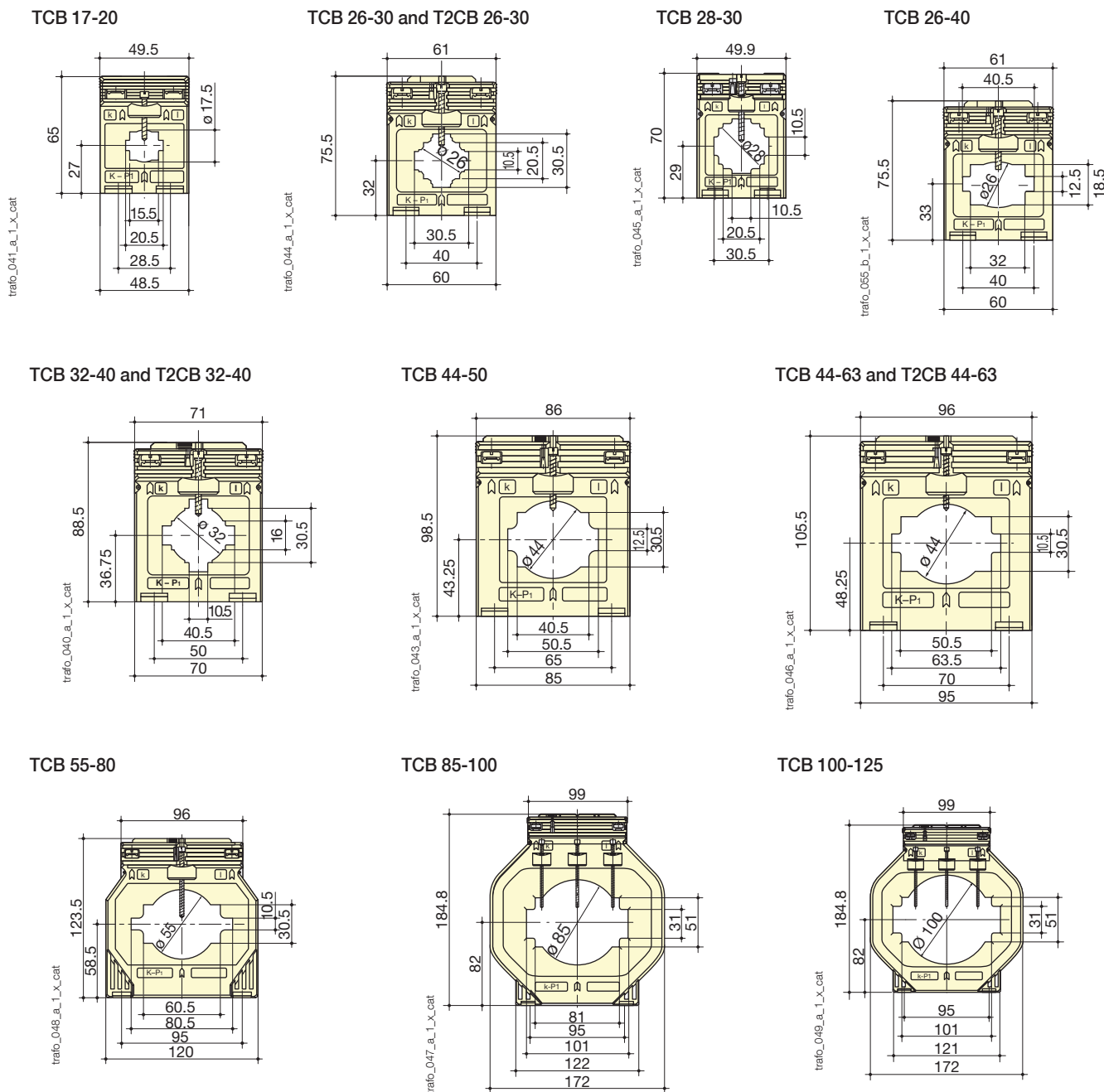
Current transformers

Measurement devices

from 5 to 5000 A

Bar or cable-through CT

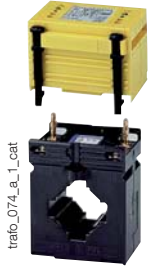
Dimensions



Bar or cable-through CT	TCB 17-20	TCB 26-30	T2CB 26-30	TCB 26-40	TCB 28-30	TCB 32-40	T2CB 32-40
Bar (mm)	20 x 5 (x 1)	30 x 10 (x 1) / 20 x 10 (x 1...2)	30 x 10 (x 1) / 20 x 10 (x 1...2)	40 x 12 (x 1) / 32 x 18 (x 1)	30 x 10 (x 1)	40 x 10 (x 1) / 30 x 5 (x 1...2)	40 x 10 (x 1) / 30 x 5 (x 1...2)
\varnothing cable (mm)	17.5	26	26	26	28	32	32
H x W x D (mm)	65 x 49.5 x 50	75.5 x 61 x 48	75.5 x 61 x 48	75.5 x 61 x 48	70 x 49.9 x 68	88.5 x 71 x 58	88.5 x 71 x 58
DIN-rail mounting	yes	yes	yes	yes	no	yes	yes

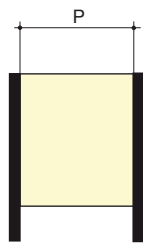
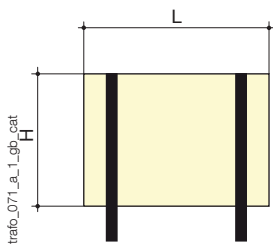
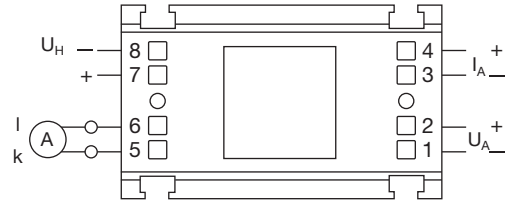
Bar or cable-through CT	TCB 44-50	TCB 44-63	T2CB 44-63	TCB 55-80	TCB 85-100	TCB 100-125
Bar (mm)	50 x 12 (x 1) / 40 x 10 (x 1...2)	63 x 10 (x 1) / 50 x 10 (x 1...2)	63 x 10 (x 1) / 50 x 10 (x 1...2)	80 x 10 (x 1) / 60 x 30 (x 1) / 60 x 10 (x 1...2)	100 x 10 (x 1...2) / 80 x 10 (x 1...3)	123 x 30 (x 1) / 100 x 10 (x 1...3)
\varnothing cable (mm)	44	44	44	55	85	100
H x W x D (mm)	98.5 x 86 x 58	105.5 x 96 x 58	105.5 x 96 x 58	123.5 x 120 x 58	184.5 x 172 x 52	184.5 x 172 x 52

Associated transducers



Transducer to be associated with adapted current transformers:

- Class 0.5.
- Input: 1 or 5 A
- Output:
 - 0-20 mA, 0-10 V (model CEA-VA),
 - 4-20 mA, 0-10 V (model CEA-VA4),
- self-supplied or auxiliary power supply 24 VDC or 230 VAC.
- 3 sizes according to the CT: type 1, 2 or 3.



Dimensions (mm)

Converter	For CT	Height (mm)	Width (mm)	Depth (mm)
Type 1	TCB 26-30	50.5	60	32.5
Type 1	TCB 26-40	50.5	60	32.5
Type 2	TCB 32-40	50	70	43
Type 3	TCB 44-63	50.5	95	43
Type 3	TCB 55-80	50.5	95	43

Current transformers

Measurement devices

from 5 to 5000 A

Bar-through CT

References

Primary	Secondary	TBA 60			TBA 80		TBA 100		T2BA 100	
		Class 0.5	Class 1	Reference	Class 0.5	Reference	Class 0.5	Reference	Class 0.2s	Reference
200 A	5 A		2.5 VA	192T 7020						
250 A	5 A	2.5 VA		192T 7025						
300 A	5 A	2.5 VA		192T 7030	2.5 VA	192T 7530				
400 A	5 A	5 VA		192T 7040	5 VA	192T 7540				
500 A	5 A	5 VA		192T 7050	5 VA	192T 7550				
600 A	5 A	10 VA		192T 7060	5 VA	192T 7560	5 VA	192T 8060		
750 A	5 A	10 VA		192T 7075	5 VA	192T 7575	5 VA	192T 8075		
800 A	5 A	10 VA		192T 7080	10 VA	192T 7580	5 VA	192T 8080		
1000 A	5 A	15 VA		192T 7090	15 VA	192T 7590	5 VA	192T 8090		
1200 A	5 A	15 VA		192T 7092	15 VA	192T 7592	10 VA	192T 8092	5 VA	192U 8092
1250 A	5 A	15 VA		192T 7093	15 VA	192T 7593	10 VA	192T 8093	5 VA	192U 8093
1500 A	5 A	15 VA		192T 7095	15 VA	192T 7595	15 VA	192T 8095	5 VA	192U 8095
1600 A	5 A	15 VA		192T 7094	15 VA	192T 7594	15 VA	192T 8094		
2000 A	5 A				15 VA	192T 7596	15 VA	192T 8096	5 VA	192U 8096
2500 A	5 A						30 VA	192T 8097	10 VA	192U 8097
3000 A	5 A						30 VA	192T 8098 ⁽¹⁾	10 VA	192U 8098
4000 A	5 A						30 VA	192T 8099 ⁽¹⁾		

(1) Dimensions are different for TBA 100 with 3000 and 4000 A primary.

Primary	Secondary	TBA 103		T2BA 103		TBA 127		T2BA 127	
		Class 0.5	Reference	Class 0.2s	Reference	Class 0.5	Reference	Class 0.2s	Reference
400 A	5 A	2.5 VA	192T 9340			2.5 VA	192T 9740		
500 A	5 A	2.5 VA	192T 9350			2.5 VA	192T 9750		
600 A	5 A	2.5 VA	192T 9360			2.5 VA	192T 9760		
750 A	5 A	2.5 VA	192T 9375			2.5 VA	192T 9775		
800 A	5 A	5 VA	192T 9380			5 VA	192T 9780		
1000 A	5 A	10 VA	192T 9390	5 VA	192U 9390	10 VA	192T 9790		
1200 A	5 A	10 VA	192T 9392	5 VA	192U 9392	10 VA	192T 9792	5 VA	192U 9792
1250 A	5 A	10 VA	192T 9393	5 VA	192U 9393	10 VA	192T 9793	5 VA	192U 9793
1500 A	5 A	15 VA	192T 9395	5 VA	192U 9395	15 VA	192T 9795	5 VA	192U 9795
1600 A	5 A	10 VA	192T 9394			15 VA	192T 9794		
2000 A	5 A	15 VA	192T 9396			15 VA	192T 9796	5 VA	192U 9796
2500 A	5 A					15 VA	192T 9797		
3000 A	5 A					25 VA	182T 9798 ⁽¹⁾		
4000 A	5 A					30 VA	182T 9799 ⁽¹⁾		

(1) Replacement model TRA 127 for this rating.

Accessories

Description of accessories	TBA 60 Reference	TBA 80 Reference	TBA 100 Reference	T2BA 100 Reference	TBA 103 Reference	T2BA 103 Reference	TBA 127 Reference	T2BA 127 Reference
Sealable cover	192T 0102	-	192T 0102	192T 0102	-	-	192T 0102	192T 0102

CT Plug-in transducer (CEA-VA)

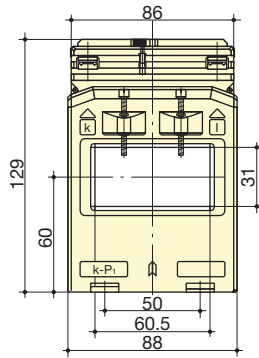
Power supply	Output	TBA 100 Reference
Self-supplied	0-20 mA/0-10 VDC	192Y 0045
230 VAC	0-20 mA/0-10 VDC	192Y 0245
24 VDC	0-20 mA/0-10 VDC	192Y 0145

CT Plug-in transducer (CEA-VA4)

Power supply	Output	TBA 100 Reference
230 VAC	4-20 mA/0-10 VDC	192Y 0285
24 VDC	4-20 mA/0-10 VDC	192Y 0185

Dimensions

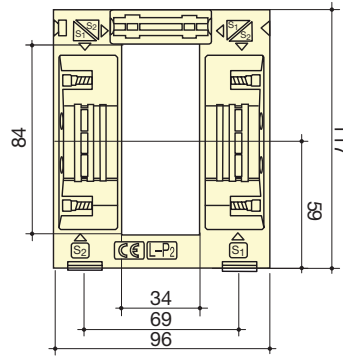
TBA 60



trafo_050_a_1_x_cat

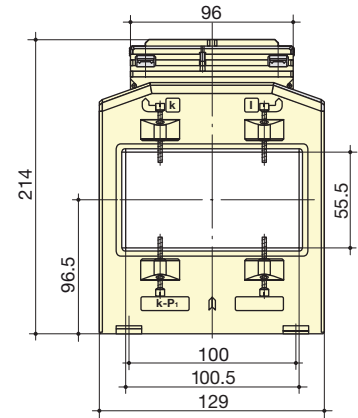
TBA 80

600 to 3000 A



TBA 100 and T2BA 100

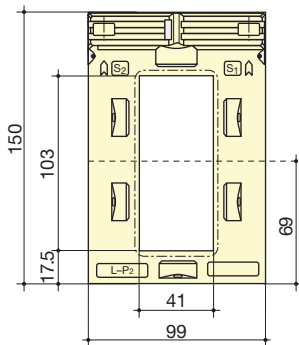
4000 A



trafo_059_a_1_x_cat

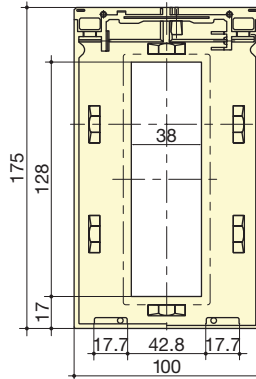
trafo_082_a_1_x_cat

TBA 103 and T2BA 103



trafo_054_a_1_x_cat

TBA 127 and T2BA 127



trafo_052_a_1_x_cat

Bar-through CT	TBA 60	TBA 80	TBA 100	T2BA 100	TBA 103	T2BA 103	TBA 127	T2BA 127
Bar (mm)	60 x 30	84 x 34	100 x 55	100 x 55	103 x 41	103 x 41	128 x 38	128 x 38
H x W x D (mm)	129 x 88 x 78	117 x 96 x 68	167 x 129 x 78 ⁽¹⁾	167 x 129 x 78	150 x 99 x 58	150 x 99 x 58	175 x 100 x 55	175 x 100 x 55

(1) Dimensions are different for TBA 100 with 3000 and 4000 A primary.

Current transformers

Measurement devices

from 5 to 5000 A

Three-phase bar or cable-through CT

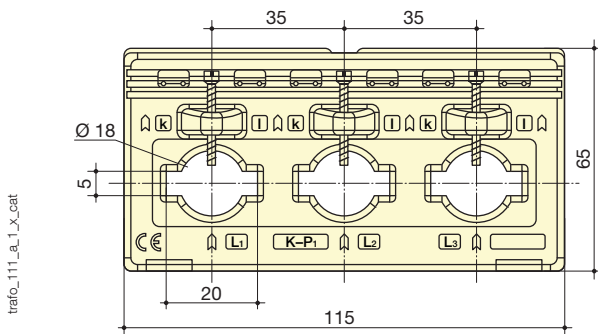
References

Primary	Secondary ⁽¹⁾	TCB3 18-20		TCB3 22-30	
		Class 1	Reference	Class 1	Reference
3 x 100 A	3 x 5 A	1 VA	192T 3310		
3 x 150 A	3 x 5 A	1.25 VA	192T 3315		
3 x 200 A	3 x 5 A	1.5 VA	192T 3320		
3 x 250 A	3 x 5 A	2.5 VA	192T 3325	2.5 VA	192T 3425
3 x 300 A	3 x 5 A			3.75 VA	192T 3430
3 x 400 A	3 x 5 A			5 VA	192T 3440
3 x 500 A	3 x 5 A			5 VA	192T 3450
3 x 600 A	3 x 5 A			5 VA	192T 3460

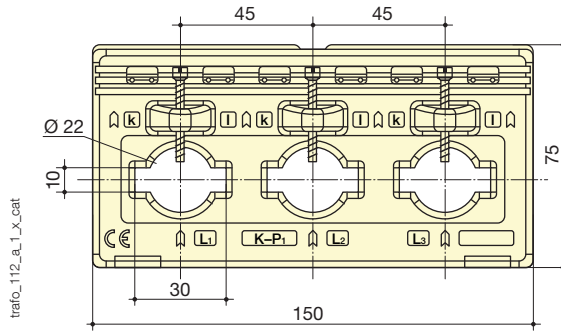
(1) Secondary 1 A: on request.

Dimensions

TCB3 18-20



TCB3 22-30



Three-phase bar or cable-through CT	TCB3 18-20	TCB3 22-30
Ø cable (mm)	18	22
Bar	20 x 5	30 x 10
H x W x D (mm)	115 x 65 x 37	150 x 75 x 37
DIN-rail mounting	no	no

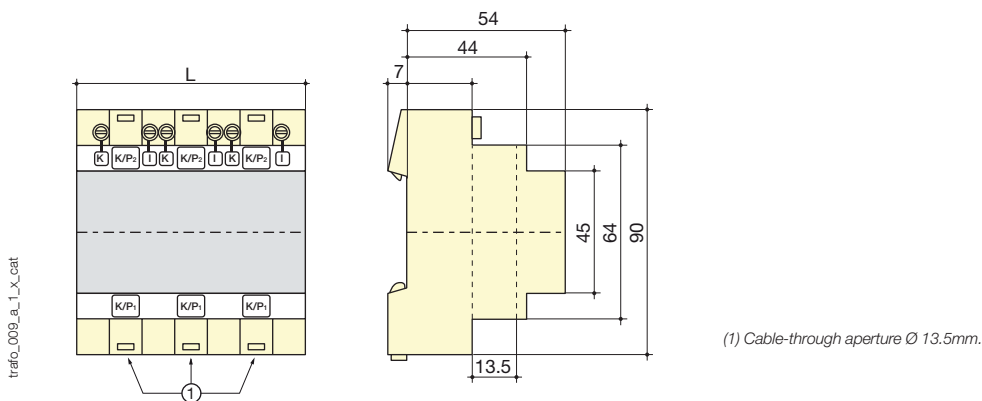
References

Primary	Secondary ⁽¹⁾	TCA 13 - 3P	
		Class 1	Reference
3 x 50 A	5 A	1 VA	192T 1905
3 x 60 A	5 A	1.25 VA	192T 1906
3 x 75 A	5 A	1.5 VA	192T 1907
3 x 80 A	5 A	1.5 VA	192T 1908
3 x 100 A	5 A	2.5 VA	192T 1910
3 x 125 A	5 A	2.5 VA	192T 1912
3 x 150 A	5 A	2.5 VA	192T 1915
3 x 160 A	5 A	2.5 VA	192T 1916

(1) Secondary 1 A: on request.

Dimensions

TCA 13 – 3P



Number of modules	Front degree of protection	Terminal block degree of protection	W (mm)	Mounting
6	IP65	IP20	105	35 mm DIN-rail

Current transformers

Measurement devices

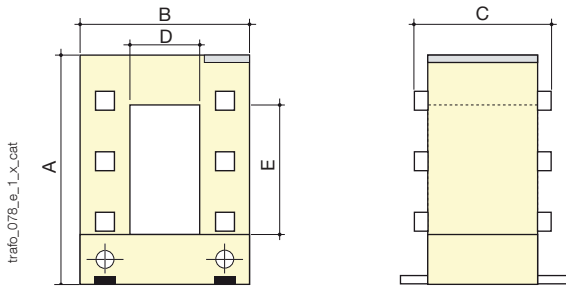
from 5 to 5000 A

Split-core CT

References

Primary	Secondary	TO 23			TO 58			TO 812			TO 816	
		Class 1	Class 3	Reference	Class 0.5	Class 1	Reference	Class 0.5	Class 1	Reference	Class 0.5	Reference
100 A	5 A		1.25 VA	192T 4601								
150 A	5 A		1.5 VA	192T 4602								
200 A	5 A		2.5 VA	192T 4603								
250 A	5 A	1.5 VA		192T 4604		1.5 VA	192T 4625		1.5 VA	192T 4725		
300 A	5 A	3.75 VA		192T 4605		2.5 VA	192T 4630		2.5 VA	192T 4730		
400 A	5 A	5 VA		192T 4606	1 VA		192T 4640		2.5 VA	192T 4740		
500 A	5 A				2.5 VA		192T 4650	2.5 VA		192T 4750		
600 A	5 A				2.5 VA		192T 4660	2.5 VA		192T 4760		
750 A	5 A				2.5 VA		192T 4675	2.5 VA		192T 4775		
800 A	5 A				2.5 VA		192T 4680	2.5 VA		192T 4780		
1000 A	5 A				5 VA		192T 4610	5 VA		192T 4710	10 VA	192T 4810
1250 A	5 A							7.5 VA		192T 4712	10 VA	192T 4812
1500 A	5 A							7.5 VA		192T 4715	10 VA	192T 4815
1600 A	5 A										10 VA	192T 4814
2000 A	5 A										10 VA	192T 4820
2500 A	5 A										10 VA	192T 4825
3000 A	5 A										15 VA	192T 4830
4000 A	5 A										15 VA	192T 4840
5000 A	5 A										15 VA	192T 4850

Dimensions



Fixed by M5 new

Dimensions (mm)

Type	A (mm)	B (mm)	C (mm)	D (mm)	E (mm)
TO 23	106	93	58	23	33
TO 58	158	125	58	55	85
TO 812	198	155	58	85	125
TO 816	243	195	79	85	165

Split-core CT	TO 23	TO 58	TO 812	TO 816
H x W x D (mm)	106 x 93 x 58	158 x 125 x 58	198 x 155 x 58	243 x 195 x 75

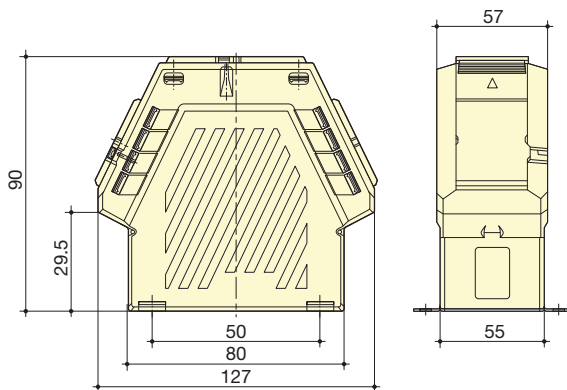
Summation CT

Reference

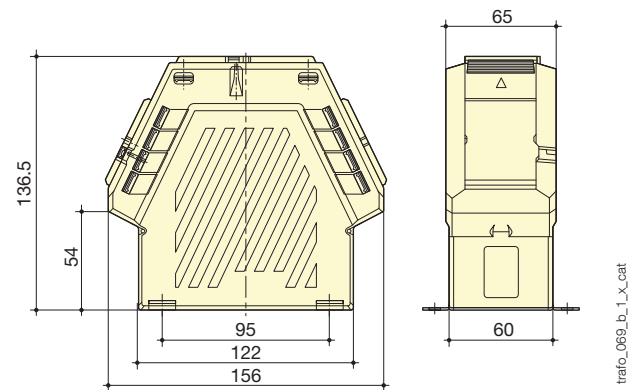
Primary	Secondary	BSA 02 Reference	BSA 03 Reference	BSA 04 Reference
5 + 5/5 A	5 A	192T 0802		
5 + 5 + 5/5 A	5 A		192T 0803	
5 + 5 + 5 + 5/5 A	5 A			192T 0904

Dimensions

BSA 02 et BSA 03



BSA 04



Summation CT	BSA 02	BSA 03	BSA 04
H x W x D (mm)	90 x 127 x 57	90 x 127 x 57	136.5 x 156 x 65
DIN-rail mounting	no	no	no