



Enclosed changeover switches

Manual operation

MTSE* - Polyester enclosures from 25 to 630 A



coeff_339_a_1_cat

COMO C in polyester enclosure



coeff_299_a_1_cat

SIRCOVER in polyester enclosure

The solution for

- Safe supply of medium critical loads.



Strong points

- On load operation (AC22/AC23).
- Robust product.

Conformity to standards

- IEC 60947-6-1
- IEC 60364
- IEC 61439
- EN 60204-1



Function

Manually operated polyester enclosed changeover switches provide changeover, source inversion or switching under load between two low voltage power circuits, as well as their safety isolation. The enclosure provides protection against contact with live parts as well as environmental factors such as dust, water and other hazards.

Advantages

On load operation (AC22/AC23)

Manual changeover enclosures are designed for operation on load and are able to make and break mixed/inductive loads (utilisation categories AC22/AC23).

Robust product

Products have been designed for severe industrial conditions with chemical, pollution or atmospheric corrosion risks.

COMO C range

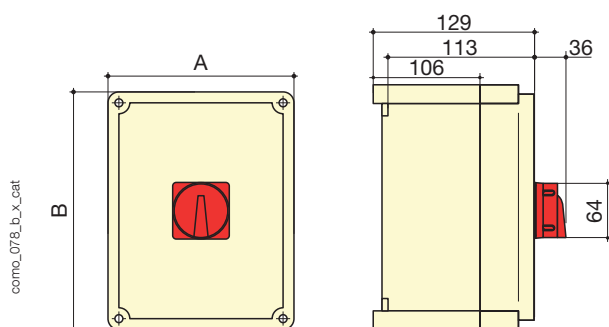
General characteristics

- Adapted to environments subject to chemical, dust, contamination and atmospheric corrosion risks.
- Operation handle: Red/yellow handle
- Protection degree: IP65.
- Colour: RAL 7030.
- Material: glass fibre reinforced polyester.
- Product supplied as a kit, to be assembled.
- Locking system: screw.



coeff_339_a_2_cat

Dimensions



como_078_b_x_cat

References

Rating (A)	No. of poles	Switching type	A (mm)	B (mm)	Reference
25	3 P	I - II	135	135	4221 3C02
25	4 P	I - II	135	135	4221 4C02
25	3 P	I - 0 - II	135	135	4231 3C02
25	4 P	I - 0 - II	135	180	4231 4C02
25	3 P	I - I+II - II	135	135	4241 3C02
25	4 P	I - I+II - II	135	135	4241 4C02
40	3 P	I - II	135	135	4221 3C04
40	4 P	I - II	135	135	4221 4C04
40	3 P	I - 0 - II	135	135	4231 3C04
40	4 P	I - 0 - II	135	135	4231 4C04
40	3 P	I - I+II - II	135	135	4241 3C04
40	4 P	I - I+II - II	135	135	4241 4C04
63	3 P	I - II	135	180	4221 3C06
63	4 P	I - II	135	180	4221 4C06
63	3 P	I - 0 - II	135	180	4231 3C06
63	4 P	I - 0 - II	135	180	4231 4C06
63	3 P	I - I+II - II	135	180	4241 3C06
63	4 P	I - I+II - II	135	180	4241 4C06
80	3 P	I - II	135	180	4221 3C08
80	4 P	I - II	135	180	4221 4C08 ⁽¹⁾
80	3 P	I - 0 - II	135	180	4231 3C08
80	4 P	I - 0 - II	135	180	4231 4C08 ⁽¹⁾
80	3 P	I - I+II - II	135	180	4241 3C08
80	4 P	I - I+II - II	135	180	4241 4C08 ⁽¹⁾

(1) Derated to 70 A for 4 pole.

* MTSE: Manual Transfer Switch Equipment

SIRCOVER range

coff_299_a_1_cat



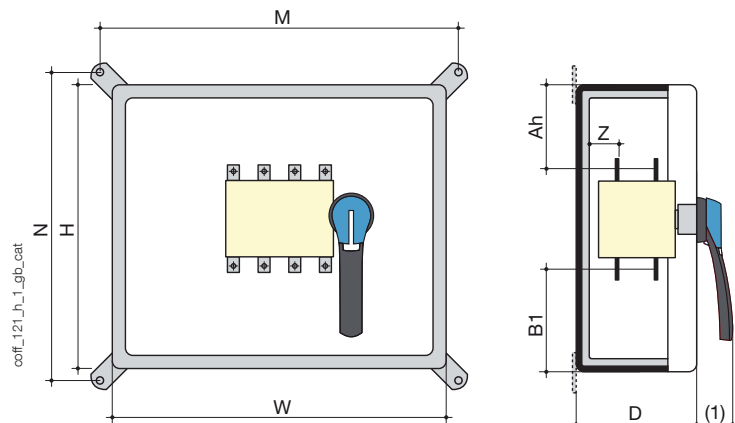
References

Rating (A)	No. of poles	Top/Bottom connection I - O - II Reference
125	3 P	4215 3012
125	4 P	4215 4012
160	3 P	4215 3016
160	4 P	4215 4016
250	3 P	4215 3025
250	4 P	4215 4025
400	3 P	4215 3040
400	4 P	4215 4040
630	3 P	4215 3063
630	4 P	4215 4063

General characteristics

- Adapted to environments subject to chemical, dust, contamination and atmospheric corrosion risks.
- Operation handle: S type black handle, padlockable in position 0.
- Protection degree: IP55 / IK 10.
- Colour: RAL 7030 (range < 400 A), RAL 9002 (range ≥ 400 A).
- Closing plate: N/A.
- Material: glass fibre reinforced polyester.
- Coating: N/A.
- Wall mounting: 4 mounting brackets supplied (not mounted).
- Locking system: square key (ratings < 400 A), 3 mm double bar key (ratings ≥ 400 A), key supplied.
- Miscellaneous: good resistance to creepage currents, high resistance to chemicals, self-extinguishable at 960°C, 2 bolted earth connection points.

Dimensions



(1) 125 ... 630 A: 45 mm

Rating (A)	No. of poles	H x W x D (mm)	Max. connection cross-section (mm ²)	M (mm)	N (mm)	Z (mm)	Connection Top/Bottom		
							Ah (mm)	B1 (mm)	Weight (kg)
125	3 P	540 x 270 x 233	50	272	542	28	210	210	9
125	4 P	540 x 360 x 233	50	362	542	28	210	210	10
160	3 P	540 x 270 x 233	95	272	542	28	210	210	9
160	4 P	540 x 360 x 233	95	362	542	28	210	210	10
250	3 P	540 x 360 x 233	150	362	542	29	205	205	11
250	4 P	540 x 360 x 233	150	362	542	29	205	205	12
400	3 P	800 x 600 x 300	240	620	796	29	330	330	30
400	4 P	800 x 600 x 300	240	620	796	29	330	330	31
630	3 P	800 x 600 x 300	2 x 300	620	796	45	297	297	38
630	4 P	800 x 600 x 300	2 x 300	620	796	45	297	297	40