



## Safety light curtains MiniTwin2

C2MT-09624BBC03FE0



**Model Name** > [C2MT-09624BBC03FE0](#)  
**Part No.** > [1207842](#)

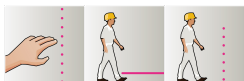


**At a glance**

- Type 2 (IEC 61496), PL d (EN ISO 13849)
- Compact cross section (15 x 32 mm) with no dead zones
- Cascadable twin stick design - sender and receiver in a single housing
- Customized protective field heights in 60-mm increments from 120 to 1200 mm
- Typical scanning ranges 0 ... 8 m
- Intelligent, software-free configuration of external device monitoring (EDM) and reset function (RES)
- M12, 5-pin device connection

**Your benefits**

- Cost-effective machine integration: its small design, cascadable features and incremental protective field heights enable a flexible adjustment to the machine design
- Standardization saves time and resources because of more straightforward logistics, order entry and service
- Simplified handling and setup: Software-free, almost fully automatic commissioning and intuitive operation with sustainable optics
- Bright LED display provides fast alignment, easy start up and clear protective field visualization ensure quick diagnostics
- End-to-end coverage in cascadable applications eliminates dead zones and shortens the safety distance, increasing productivity
- Application-specific brackets provide increased flexibility and reduce installation time



**Functions**

Restart interlock:	✓
Restart interlock (delivery status):	Deactivated
External device monitoring:	✓
External device monitoring (delivery status):	Deactivated
Beam coding:	✓
Bypass (with UE402):	-
Operating mode switching (with UE402):	-
Type of blanking:	No
Reduced resolution:	-
SDL interface:	-
Muting with:	Flexi Classic, Flexi Soft

Configuration method:	Hard wired
Extension connection:	-
PSDI mode with:	Flexi Soft
Safe device communication via EFI/SDL:	-

### Technical data

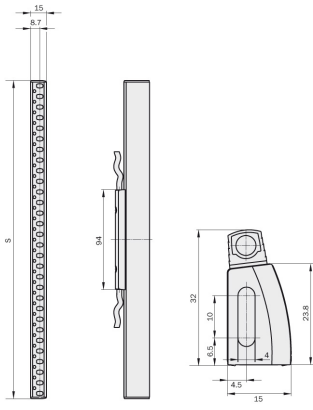
---

Scanning range from ... to:	0 m ... 6 m
Scanning range typ.:	0 m ... 8 m
Housing length:	960 mm
Weight:	340 g
Test rate (internal test):	58 /s (EN ISO 13849)
Maximum demand rate:	34 /min (EN ISO 13849) <sup>1)</sup>
Ambient operating temperature from ... to:	-20 °C ... 55 °C
Vibration resistance (checked to):	5 g (IEC 60068-2-6)
Oscillation frequency from ... to:	10 Hz ... 55 Hz
Response time:	13 ms <sup>2)</sup>
Supply voltage typical, from, to:	24 V DC, 19.2 V DC, 28.8 V DC
Maximum switching current:	300 mA
Wave length:	850 nm
Maximum connection cable cross-section:	0.34 mm <sup>2</sup>
Mounting system type:	C-fix or L-fix bracket
Extension connection usage:	Stand alone
Resolution:	24 mm
Protective field height:	960 mm
Type:	Type 2 (IEC 61496)
Safety integrity level:	SIL2 (IEC 61508), SILCL2 (IEC 62061)
Category:	Category 2 (EN ISO 13849)
Performance level:	PL d EN ISO 13849
PFHd:	Standalone system: 2.4 * 1E-08 (EN ISO 13849)
TM (mission time):	20 a
Protection class:	III (EN 61140)
Cable length:	700 mm
Enclosure rating:	IP 65
Shock resistance:	10 g, 16 ms (IEC 60068-2-29)
Housing cross-section:	15 mm x 32 mm

<sup>1)</sup> Between two demands on a safety-related response of the device, at least 100 internal or external tests must be carried out. <sup>2)</sup> Standalone devices, no cascaded systems. Other response times see operating instructions.

# Dimensional drawing

---



**Australia**

Phone +61 3 9457 0600  
1800 334 802 – tollfree  
E-Mail sales@sick.com.au

**Belgium/Luxembourg**

Phone +32 (0)2 466 55 66  
E-Mail info@sick.be

**Brasil**

Phone +55 11 3215-4900  
E-Mail sac@sick.com.br

**Canada**

Phone +1 905 771 14 44  
E-Mail information@sick.com

**Ceská Republika**

Phone +420 2 57 91 18 50  
E-Mail sick@sick.cz

**China**

Phone +86 4000 121 000  
E-Mail info.china@sick.net.cn  
Phone +852-2153 6300  
E-Mail ghk@sick.com.hk

**Danmark**

Phone +45 45 82 64 00  
E-Mail sick@sick.dk

**Deutschland**

Phone +49 211 5301-301  
E-Mail kundenservice@sick.de

**España**

Phone +34 93 480 31 00  
E-Mail info@sick.es

**France**

Phone +33 1 64 62 35 00  
E-Mail info@sick.fr

**Great Britain**

Phone +44 (0)1727 831121  
E-Mail info@sick.co.uk

**India**

Phone +91-22-4033 8333  
E-Mail info@sick-india.com

**Israel**

Phone +972-4-6801000  
E-Mail info@sick-sensors.com

**Italia**

Phone +39 02 27 43 41  
E-Mail info@sick.it

**Japan**

Phone +81 (0)3 3358 1341  
E-Mail support@sick.jp

**Magyarország**

Phone +36 1 371 2680  
E-Mail office@sick.hu

**Nederlands**

Phone +31 (0)30 229 25 44  
E-Mail info@sick.nl

**Norge**

Phone +47 67 81 50 00  
E-Mail austefjord@sick.no

**Österreich**

Phone +43 (0)22 36 62 28 8-0  
E-Mail office@sick.at

**Polska**

Phone +48 22 837 40 50  
E-Mail info@sick.pl

**România**

Phone +40 356 171 120  
E-Mail office@sick.ro

**Russia**

Phone +7-495-775-05-30  
E-Mail info@sick.ru

**Schweiz**

Phone +41 41 619 29 39  
E-Mail contact@sick.ch

**Singapore**

Phone +65 6744 3732  
E-Mail admin@sicksgp.com.sg

**Slovenija**

Phone +386 (0)1-47 69 990  
E-Mail office@sick.si

**South Africa**

Phone +27 11 472 3733  
E-Mail info@sickautomation.co.za

**South Korea**

Phone +82 2 786 6321/4  
E-Mail info@sickkorea.net

**Suomi**

Phone +358-9-25 15 800  
E-Mail sick@sick.fi

**Sverige**

Phone +46 10 110 10 00  
E-Mail info@sick.se

**Taiwan**

Phone +886-2-2375-6288  
E-Mail sales@sick.com.tw

**Türkiye**

Phone +90 (216) 528 50 00  
E-Mail info@sick.com.tr

**United Arab Emirates**

Phone +971 (0) 4 8865 878  
E-Mail info@sick.ae

**USA/México**

Phone +1(952) 941-6780  
1 800-325-7425 – tollfree  
E-Mail info@sickusa.com

More representatives and agencies  
at [www.sick.com](http://www.sick.com)