



Safety controllers Flexi Soft Main unit

FX3-CPU000000



Model Name > FX3-CPU000000
Part No. > 1043783

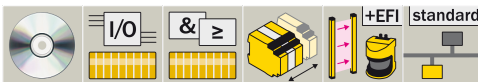


At a glance

- RS-232 connection for configuration and real-time diagnostics
- Storage of EFI sensor configuration data in the system plug using Automatic Configuration Recovery (ACR)
- Safety networking of up to four Flexi Soft stations
- Up to 12 expansion modules
- Up to two gateways
- Compact, 22.5 mm width

Your benefits

- System plug enables fast commissioning
- Less downtime due to gateways, e.g., PROFINET I/O, PROFIBUS-DP, EtherCAT, CANopen, Modbus TCP, Ethernet (TCP/IP), DeviceNet
- Safe communication without additional hardware reduces costs and saves time
- RS-232 connection is standard with all main modules, enabling real-time diagnostics for fast commissioning, faster troubleshooting and reduced downtime
- Via Automatic Configuration Recovery (ACR) easy change of EFI sensors without the help of any tools



Safety-related parameters

Safety integrity level:	SIL3 (IEC 61508), SILCL3 (IEC 62061)
Category:	Category 4 (EN ISO 13849)
Performance level:	PL e (EN ISO 13849)
PFHd:	1.07 * 1E-09
TM (mission time):	20 a

Functions

Reset/restart:	Manual/automatic/configurable
External device monitoring (EDM):	✓
Muting:	✓
Operating mode switching:	✓
Number of logical connections:	255
Logical functions:	AND, NOT, OR, XNOR, XOR
Application-specific logical functions:	Operating mode switch, Muting, Emergency stop, Presses, Two-hand control
Safe device communication via EFI/SDL:	-

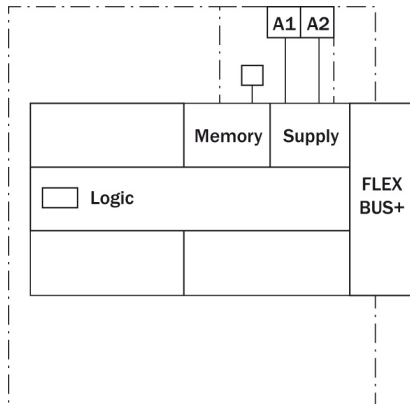
Electrical data

Supply voltage:	24 V DC (16.8 V DC ... 30 V DC)
Type of supply voltage:	PELV or SELV (the current of the power supply that powers the main unit must be limited to a maximum of 4 A, either through the power supply itself or a fuse.)
Power consumption:	2.5 W
Protection class:	EN 61140
Short-circuit protection:	4 A gG
Switch-on time of inputs:	18 s
Configuration interface:	Internal bus (FLEX BUS+)

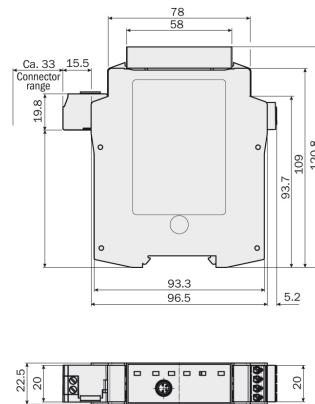
Ambient data

Enclosure rating terminals:	IP 20
Protection class housing:	IP 40
Ambient operating temperature:	-25 °C ... 55 °C
Storage temperature:	-25 °C ... 70 °C
Air humidity:	10 % ... 95 %, non-condensing
Climate conditions according to:	EN 61131-2 (55 °C operating temperature, 95% rel. humidity)
Electromagnetic compatibility (EMC):	EN 61000-6-2, EN 55011 EN 61131-2 (zone B)
Vibration resistance:	5 Hz ... 500 (EN 61131-2)
Connection type:	Plug
Dimensions (W x H x D):	22.5 mm x 96.5 mm x 120.8 mm
Weight:	111 g

Connection diagram



Dimensional drawing



Australia

Phone +61 3 9457 0600
1800 334 802 – tollfree
E-Mail sales@sick.com.au

Belgium/Luxembourg

Phone +32 (0)2 466 55 66
E-Mail info@sick.be

Brasil

Phone +55 11 3215-4900
E-Mail sac@sick.com.br

Canada

Phone +1 905 771 14 44
E-Mail information@sick.com

Ceská Republika

Phone +420 2 57 91 18 50
E-Mail sick@sick.cz

China

Phone +86 4000 121 000
E-Mail info.china@sick.net.cn
Phone +852-2153 6300
E-Mail ghk@sick.com.hk

Danmark

Phone +45 45 82 64 00
E-Mail sick@sick.dk

Deutschland

Phone +49 211 5301-301
E-Mail kundenservice@sick.de

España

Phone +34 93 480 31 00
E-Mail info@sick.es

France

Phone +33 1 64 62 35 00
E-Mail info@sick.fr

Great Britain

Phone +44 (0)1727 831121
E-Mail info@sick.co.uk

India

Phone +91-22-4033 8333
E-Mail info@sick-india.com

Israel

Phone +972-4-6801000
E-Mail info@sick-sensors.com

Italia

Phone +39 02 27 43 41
E-Mail info@sick.it

Japan

Phone +81 (0)3 3358 1341
E-Mail support@sick.jp

Magyarország

Phone +36 1 371 2680
E-Mail office@sick.hu

Nederlands

Phone +31 (0)30 229 25 44
E-Mail info@sick.nl

Norge

Phone +47 67 81 50 00
E-Mail austefjord@sick.no

Österreich

Phone +43 (0)22 36 62 28 8-0
E-Mail office@sick.at

Polska

Phone +48 22 837 40 50
E-Mail info@sick.pl

România

Phone +40 356 171 120
E-Mail office@sick.ro

Russia

Phone +7-495-775-05-30
E-Mail info@sick.ru

Schweiz

Phone +41 41 619 29 39
E-Mail contact@sick.ch

Singapore

Phone +65 6744 3732
E-Mail admin@sicksgp.com.sg

Slovenija

Phone +386 (0)1-47 69 990
E-Mail office@sick.si

South Africa

Phone +27 11 472 3733
E-Mail info@sickautomation.co.za

South Korea

Phone +82 2 786 6321/4
E-Mail info@sickkorea.net

Suomi

Phone +358-9-25 15 800
E-Mail sick@sick.fi

Sverige

Phone +46 10 110 10 00
E-Mail info@sick.se

Taiwan

Phone +886-2-2375-6288
E-Mail sales@sick.com.tw

Türkiye

Phone +90 (216) 528 50 00
E-Mail info@sick.com.tr

United Arab Emirates

Phone +971 (0) 4 8865 878
E-Mail info@sick.ae

USA/México

Phone +1(952) 941-6780
1 800-325-7425 – tollfree
E-Mail info@sickusa.com

More representatives and agencies
at www.sick.com