



## Safety camera systems V300 Work Station Extended

V30W-0101000



**Model Name** > [V30W-0101000](#)  
**Part No.** > [1041542](#)



**At a glance**

- SIL2 (IEC 61508, EN 62061) and PL d (EN ISO 13849)
- Protective field size from 0.4 m x 0.4 m to 1.5 m x 1.5 m
- Resolution 20 mm, 24 mm, and 30 mm
- One device only: integrated sender and receiver
- Intuitive one-button operation
- Automatic alignment
- Synchronization of 2 systems
- Restart/Reset, EDM integrated

**Your benefits**

- Flexible and individual definition of protective fields
- Quick commissioning without additional software
- Intuitive, time-saving operation
- No variants: one-device concept for all aperture sizes
- Reduced storage, logistics and commissioning costs
- No expert knowledge for commissioning required
- High machine availability and simple maintenance

**Note: A resolution set has to be ordered separately. See "Accessories" for further details.**



**Applications**

- |                             |   |
|-----------------------------|---|
| Hazardous point protection: | ✓ |
| Hazardous area protection:  | ✓ |

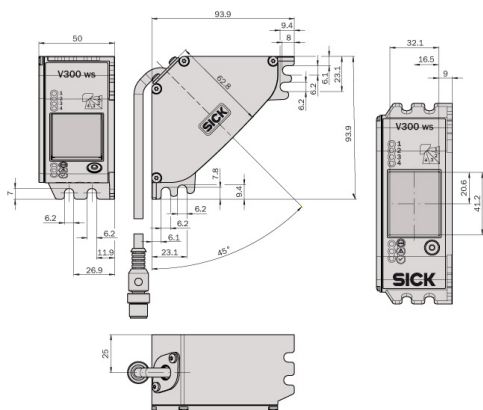
**Technical data**

- |                         |                                     |
|-------------------------|-------------------------------------|
| Enclosure rating:       | IP 54 (IEC 60529)                   |
| Protection class:       | III (EN 50178)                      |
| Type:                   | Type 3 (IEC 61496)                  |
| Safety integrity level: | SIL2 (IEC 61508), SILCL2 (EN 62061) |
| Category:               | Category 3 (EN ISO 13849)           |
| Performance level:      | PL d (EN ISO 13849)                 |
| PFHd:                   | 3.2 * 1E-09                         |

TM (mission time):	20 a
Maximum protective field range:	2.12 m <sup>1)</sup>
Minimum protective field size:	40 cm x 40 cm <sup>2)</sup>
Maximum protective field size:	150 cm x 150 cm <sup>3)</sup>
Aspect ratio protective field:	1:1 to 2:1
Resolution:	20 mm, 24 mm, 30 mm <sup>4)</sup>
Wavelength illumination:	850 nm
Supply voltage:	24 V DC
Number of external device monitoring inputs:	1
Number of restart interlock inputs:	1
Number of teach/sync inputs:	1
Switching outputs:	2
Power consumption::	165 mA, 690 mA <sup>5) 6)</sup>
Switching current:	6 mA ... 250 mA
Response time:	20 ms
Connection type:	M12 x 8
Dimensions (W x H x D):	90 mm x 50 mm x 90 mm
Ambient operating temperature from ... to:	0 °C ... 50 °C

1) 2) 3) 4) Depending on resolution set <sup>5)</sup> At 24 V without output load <sup>6)</sup> Including maximum output load

## Dimensional drawing



**Australia**

Phone +61 3 9457 0600  
1800 334 802 – tollfree  
E-Mail sales@sick.com.au

**Belgium/Luxembourg**

Phone +32 (0)2 466 55 66  
E-Mail info@sick.be

**Brasil**

Phone +55 11 3215-4900  
E-Mail sac@sick.com.br

**Canada**

Phone +1 905 771 14 44  
E-Mail information@sick.com

**Ceská Republika**

Phone +420 2 57 91 18 50  
E-Mail sick@sick.cz

**China**

Phone +86 4000 121 000  
E-Mail info.china@sick.net.cn  
Phone +852-2153 6300  
E-Mail ghk@sick.com.hk

**Danmark**

Phone +45 45 82 64 00  
E-Mail sick@sick.dk

**Deutschland**

Phone +49 211 5301-301  
E-Mail kundenservice@sick.de

**España**

Phone +34 93 480 31 00  
E-Mail info@sick.es

**France**

Phone +33 1 64 62 35 00  
E-Mail info@sick.fr

**Great Britain**

Phone +44 (0)1727 831121  
E-Mail info@sick.co.uk

**India**

Phone +91-22-4033 8333  
E-Mail info@sick-india.com

**Israel**

Phone +972-4-6801000  
E-Mail info@sick-sensors.com

**Italia**

Phone +39 02 27 43 41  
E-Mail info@sick.it

**Japan**

Phone +81 (0)3 3358 1341  
E-Mail support@sick.jp

**Magyarország**

Phone +36 1 371 2680  
E-Mail office@sick.hu

**Nederlands**

Phone +31 (0)30 229 25 44  
E-Mail info@sick.nl

**Norge**

Phone +47 67 81 50 00  
E-Mail austefjord@sick.no

**Österreich**

Phone +43 (0)22 36 62 28 8-0  
E-Mail office@sick.at

**Polska**

Phone +48 22 837 40 50  
E-Mail info@sick.pl

**România**

Phone +40 356 171 120  
E-Mail office@sick.ro

**Russia**

Phone +7-495-775-05-30  
E-Mail info@sick.ru

**Schweiz**

Phone +41 41 619 29 39  
E-Mail contact@sick.ch

**Singapore**

Phone +65 6744 3732  
E-Mail admin@sicksgp.com.sg

**Slovenija**

Phone +386 (0)1-47 69 990  
E-Mail office@sick.si

**South Africa**

Phone +27 11 472 3733  
E-Mail info@sickautomation.co.za

**South Korea**

Phone +82 2 786 6321/4  
E-Mail info@sickkorea.net

**Suomi**

Phone +358-9-25 15 800  
E-Mail sick@sick.fi

**Sverige**

Phone +46 10 110 10 00  
E-Mail info@sick.se

**Taiwan**

Phone +886-2-2375-6288  
E-Mail sales@sick.com.tw

**Türkiye**

Phone +90 (216) 528 50 00  
E-Mail info@sick.com.tr

**United Arab Emirates**

Phone +971 (0) 4 8865 878  
E-Mail info@sick.ae

**USA/México**

Phone +1(952) 941-6780  
1 800-325-7425 – tollfree  
E-Mail info@sickusa.com

More representatives and agencies  
at [www.sick.com](http://www.sick.com)