



Photoelectric sensors  
Photoelectric switch for fibre-optic cables,  
Product group W160

WLL160-F420



**Model Name** > [WLL160-F420](#)  
**Part No.** > [6009990](#)



- Sensitivity setting with potentiometer, scaled
- Large selection of LL3 fiber-optic cables
- Switch-off delay 0 to 100 ms
- Contamination control output and test input for equipment and system testing

**The product has been discontinued. Please contact your SICK sales representative for more information about a replacement product.**



#### Product features

Light source:	LED
Type of light:	Red light
Light spot diameter:	Depending on the scanning range
Wave length:	660 nm
Sensing range min ... max (through-beam system):	0 mm ... 2,000 mm
Fibre-optic cable (through-beam system):	LL3-TB02 and tip adapter LL3-TA01
Sensing range min ... max (proximity system):	0 mm ... 70 mm
Fibre-optic cable (proximity system):	LL3-DB01

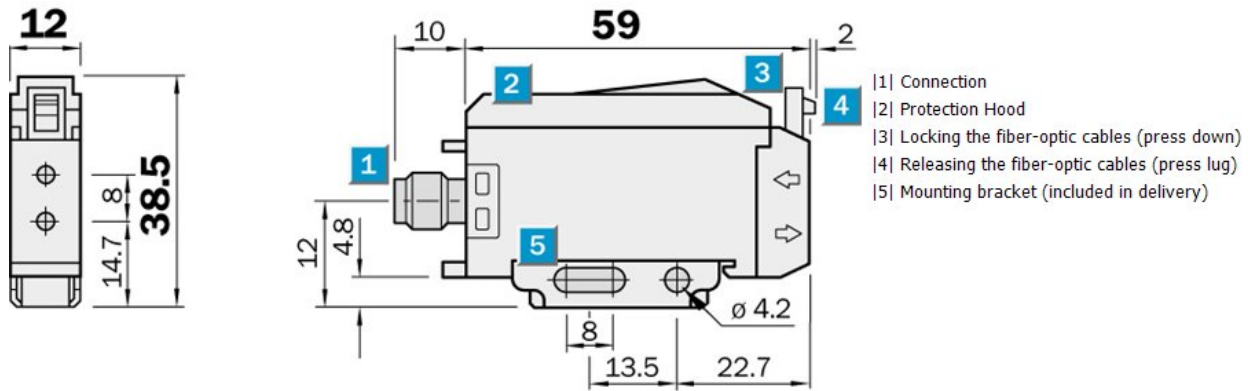
#### Technical data

Design:	Rectangular
Dimensions (W x H x D):	12 mm x 38.5 mm x 59 mm
Supply voltage min ... max:	DC 10 ... 30 V <sup>1)</sup>
Ripple:	± 10 %
Power consumption:	≤ 30 mA
Switching output:	PNP: open collector: Q
Switching mode:	Light-/dark-switching via slide switch
Output current max.:	100 mA
Response time:	≤ 0.35 ms
Switching frequency:	1,500 Hz
Connection type:	Connector, M8, 4-pin
Circuit protection:	V <sub>S</sub> connections reverse-polarity protected/In-/outputs short-circuit protected/Interference suppression/Outputs overcurrent and short-circuit protected
Enclosure rating:	IP 66
Ambient operation temperature, min ... max:	-25 °C ... +55 °C
Ambient storage temperature, min ... max:	-40 °C ... +70 °C

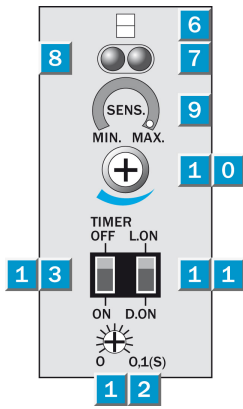
Weight:	Ca. 30 g
Housing material:	ABS
Angle of dispersion:	Ca. 65 °
Series:	W160
Time delay:	Selectable, via slide switch
Time type:	Switch-off delay TOFF 0 ... 100 ms
Front screen heating:	-
Polarisation filter:	-
Alarm output:	-
UL File No.:	NRNT2.E128350 & NRNT8.E128350

1) Limit values, reverse-polarity protected operation in short-circuit protected network max. 8 A

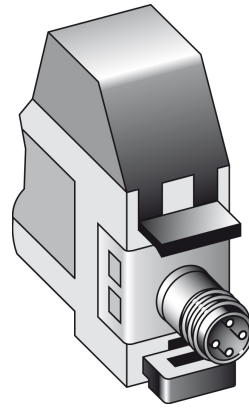
### Masszeichnung



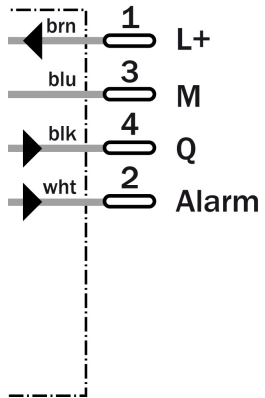
## Einstell-Möglichkeiten



## Anschlussart



## Anschluss-Schema



**Australia**

Phone +61 3 9457 0600  
1800 334 802 – tollfree  
E-Mail sales@sick.com.au

**Belgium/Luxembourg**

Phone +32 (0)2 466 55 66  
E-Mail info@sick.be

**Brasil**

Phone +55 11 3215-4900  
E-Mail sac@sick.com.br

**Canada**

Phone +1 905 771 14 44  
E-Mail information@sick.com

**Ceská Republika**

Phone +420 2 57 91 18 50  
E-Mail sick@sick.cz

**China**

Phone +86 4000 121 000  
E-Mail info.china@sick.net.cn  
Phone +852-2153 6300  
E-Mail ghk@sick.com.hk

**Danmark**

Phone +45 45 82 64 00  
E-Mail sick@sick.dk

**Deutschland**

Phone +49 211 5301-301  
E-Mail kundenservice@sick.de

**España**

Phone +34 93 480 31 00  
E-Mail info@sick.es

**France**

Phone +33 1 64 62 35 00  
E-Mail info@sick.fr

**Great Britain**

Phone +44 (0)1727 831121  
E-Mail info@sick.co.uk

**India**

Phone +91-22-4033 8333  
E-Mail info@sick-india.com

**Israel**

Phone +972-4-6801000  
E-Mail info@sick-sensors.com

**Italia**

Phone +39 02 27 43 41  
E-Mail info@sick.it

**Japan**

Phone +81 (0)3 3358 1341  
E-Mail support@sick.jp

**Magyarország**

Phone +36 1 371 2680  
E-Mail office@sick.hu

**Nederlands**

Phone +31 (0)30 229 25 44  
E-Mail info@sick.nl

**Norge**

Phone +47 67 81 50 00  
E-Mail austefjord@sick.no

**Österreich**

Phone +43 (0)22 36 62 28 8-0  
E-Mail office@sick.at

**Polska**

Phone +48 22 837 40 50  
E-Mail info@sick.pl

**România**

Phone +40 356 171 120  
E-Mail office@sick.ro

**Russia**

Phone +7-495-775-05-30  
E-Mail info@sick.ru

**Schweiz**

Phone +41 41 619 29 39  
E-Mail contact@sick.ch

**Singapore**

Phone +65 6744 3732  
E-Mail admin@sicksgp.com.sg

**Slovenija**

Phone +386 (0)1-47 69 990  
E-Mail office@sick.si

**South Africa**

Phone +27 11 472 3733  
E-Mail info@sickautomation.co.za

**South Korea**

Phone +82 2 786 6321/4  
E-Mail info@sickkorea.net

**Suomi**

Phone +358-9-25 15 800  
E-Mail sick@sick.fi

**Sverige**

Phone +46 10 110 10 00  
E-Mail info@sick.se

**Taiwan**

Phone +886-2-2375-6288  
E-Mail sales@sick.com.tw

**Türkiye**

Phone +90 (216) 528 50 00  
E-Mail info@sick.com.tr

**United Arab Emirates**

Phone +971 (0) 4 8865 878  
E-Mail info@sick.ae

**USA/México**

Phone +1(952) 941-6780  
1 800-325-7425 – tollfree  
E-Mail info@sickusa.com

More representatives and agencies  
at [www.sick.com](http://www.sick.com)