



Photoelectric sensors
W9 Laser, Photoelectric proximity sensor,
Background suppression

WT9L-P330



Model Name > WT9L-P330
Part No. > 1023977



Illustration may differ

At a glance

- Advanced laser technology with great performance
- Constant laser power and compliance with laser class 2
- High-precision adjustable background suppression
- UL, CE, CDRH approval

Your benefits

- High reliability with maximum eye protection due to laser control (laser class 2)
- Small laser light spot reliably detects the smallest objects
- Laser is approved for worldwide usage
- Designed for quick and easy installation with SICK accessories

The product has been discontinued. Please follow the "replacement product" link for information about alternative products.



Features

Sensor/detection principle:	Photoelectric proximity sensor, Background suppression
Dimensions (W x H x D):	12 mm x 40 mm x 22 mm
Housing design (light emission):	Rectangular
Sensing range max.:	30 mm ... 150 mm ¹⁾
Type of light:	Visible red light
Light source:	Laser ²⁾
Laser class:	2
Adjustment:	Potentiometer, 7-turn
Light spot size (distance):	Ø 0.5 mm (60 mm)

¹⁾ Object with 90 % reflectance (referred to standard white DIN 5033) ²⁾ Average service life 50,000 h at T_A = +25 °C

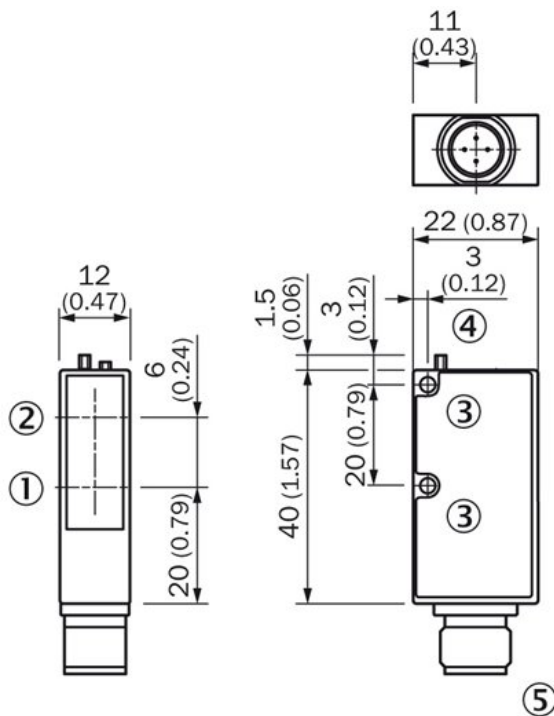
Mechanics/electronics

Supply voltage:	10 V DC ... 30 V DC ¹⁾
Ripple:	≤ 5 Vpp
Power consumption:	< 35 mA
Output type:	PNP
Output function:	Complementary

Switching mode:	Light/dark-switching
Signal voltage PNP HIGH/LOW:	Approx. $V_S - 2.0\text{ V}/0\text{ V}$
Output current I_{max} :	$< 100\text{ mA}$
Response time:	$< 0.6\text{ ms}$ ²⁾
Switching frequency:	$\pm 1,000\text{ Hz}$ ³⁾
Connection type:	Connector M8, 4-pin
Circuit protection:::	A, B, C ^{4) 5) 6)}
Protection class:	III ⁷⁾
Weight:	20 g
Housing material:	ABS, Plastic
Enclosure rating:	IP 67
Ambient operating temperature:	$-10\text{ °C} \dots 50\text{ °C}$
Ambient storage temperature:	$-25\text{ °C} \dots 70\text{ °C}$

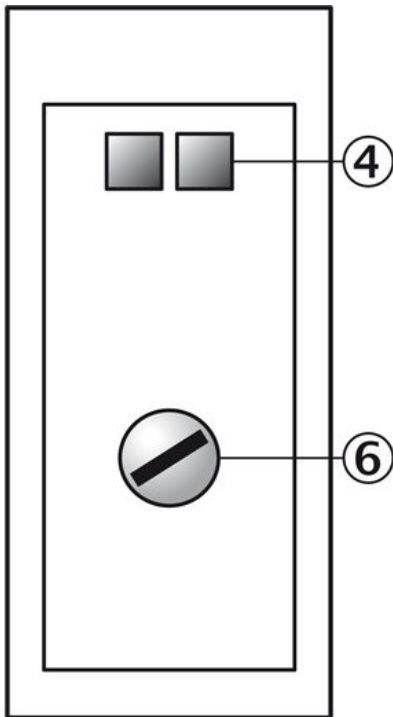
1) Limit values 2) Signal transit time with resistive load 3) $A = V_S$ connections reverse-polarity protected 4) B = inputs and output reverse-polarity protected 5) C = interference suppression 6) Reference voltage 50 V DC 7)

Dimensional drawing



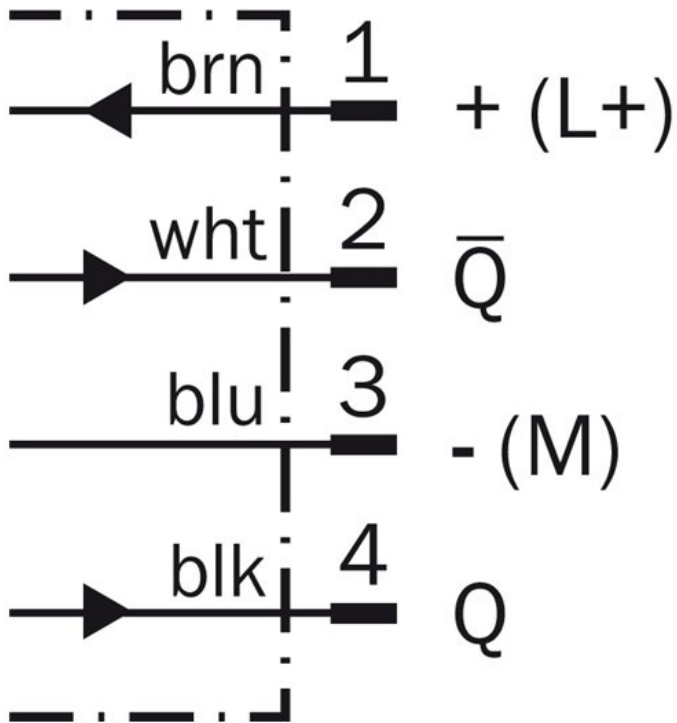
- |1| Center of optical axis, sender
- |2| Center of optical axis, receiver
- |4| LED signal strength indicator
- |5| Connector M12 or M8, 4-pin, 2 m connection cable or 120 mm cable with connector M12, 4-pin

Adjustments possible

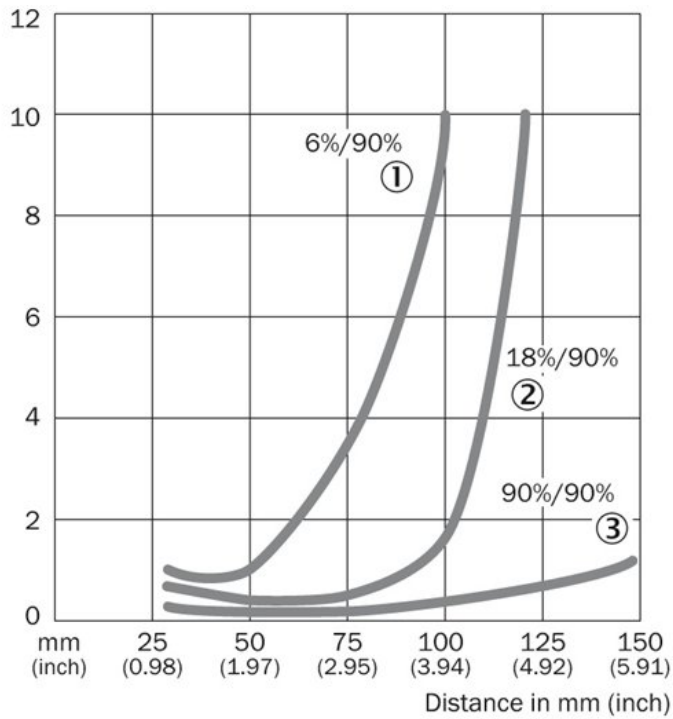


- |4| LED signal strength indicator
- |6| Sensing range adjustment

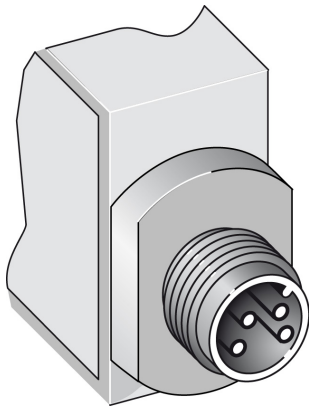
Connection diagram



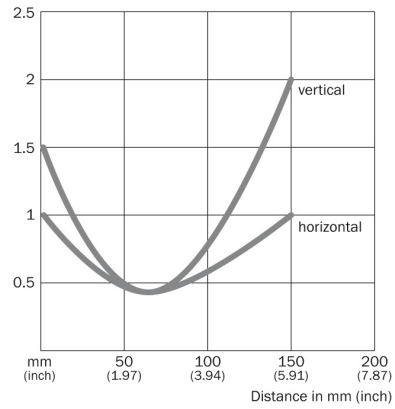
Characteristic curve



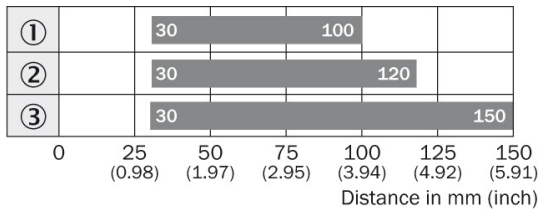
Connection type



Light spot size



Sensing range diagram



■ Sensing range

- ① Sensing range on black, 6 % remission
- ② Sensing range on gray, 18 % remission
- ③ Sensing range on white, 90 % remission

Australia

Phone +61 3 9457 0600
1800 334 802 – tollfree
E-Mail sales@sick.com.au

Belgium/Luxembourg

Phone +32 (0)2 466 55 66
E-Mail info@sick.be

Brasil

Phone +55 11 3215-4900
E-Mail sac@sick.com.br

Canada

Phone +1 905 771 14 44
E-Mail information@sick.com

Ceská Republika

Phone +420 2 57 91 18 50
E-Mail sick@sick.cz

China

Phone +86 4000 121 000
E-Mail info.china@sick.net.cn
Phone +852-2153 6300
E-Mail ghk@sick.com.hk

Danmark

Phone +45 45 82 64 00
E-Mail sick@sick.dk

Deutschland

Phone +49 211 5301-301
E-Mail kundenservice@sick.de

España

Phone +34 93 480 31 00
E-Mail info@sick.es

France

Phone +33 1 64 62 35 00
E-Mail info@sick.fr

Great Britain

Phone +44 (0)1727 831121
E-Mail info@sick.co.uk

India

Phone +91-22-4033 8333
E-Mail info@sick-india.com

Israel

Phone +972-4-6801000
E-Mail info@sick-sensors.com

Italia

Phone +39 02 27 43 41
E-Mail info@sick.it

Japan

Phone +81 (0)3 3358 1341
E-Mail support@sick.jp

Magyarország

Phone +36 1 371 2680
E-Mail office@sick.hu

Nederlands

Phone +31 (0)30 229 25 44
E-Mail info@sick.nl

Norge

Phone +47 67 81 50 00
E-Mail austefjord@sick.no

Österreich

Phone +43 (0)22 36 62 28 8-0
E-Mail office@sick.at

Polska

Phone +48 22 837 40 50
E-Mail info@sick.pl

România

Phone +40 356 171 120
E-Mail office@sick.ro

Russia

Phone +7-495-775-05-30
E-Mail info@sick.ru

Schweiz

Phone +41 41 619 29 39
E-Mail contact@sick.ch

Singapore

Phone +65 6744 3732
E-Mail admin@sicksgp.com.sg

Slovenija

Phone +386 (0)1-47 69 990
E-Mail office@sick.si

South Africa

Phone +27 11 472 3733
E-Mail info@sickautomation.co.za

South Korea

Phone +82 2 786 6321/4
E-Mail info@sickkorea.net

Suomi

Phone +358-9-25 15 800
E-Mail sick@sick.fi

Sverige

Phone +46 10 110 10 00
E-Mail info@sick.se

Taiwan

Phone +886-2-2375-6288
E-Mail sales@sick.com.tw

Türkiye

Phone +90 (216) 528 50 00
E-Mail info@sick.com.tr

United Arab Emirates

Phone +971 (0) 4 8865 878
E-Mail info@sick.ae

USA/México

Phone +1(952) 941-6780
1 800-325-7425 – tollfree
E-Mail info@sickusa.com

More representatives and agencies
at www.sick.com