



Photoelectric sensors  
W27-3, Photoelectric proximity sensor,  
Background suppression

WTB27-3S1511



**Model Name** > [WTB27-3S1511](#)  
**Part No.** > [1027762](#)



*Illustration may differ*

**At a glance**

- Precise background suppression with no scanning distance drift
- PinPoint technology: intense red LED with consistent light spot
- Resistant to ambient light, optical reflections, and crosstalk from other photoelectric devices
- Sensing range adjustment with potentiometer or teach-in
- Operating temperature: -40 °C to +60 °C
- Flexible sensing ranges and hysteresis settings
- Key lock function, remote teach, quality monitoring
- Diagnostics messages (contamination and short-circuit)

**Your benefits**

- PinPoint technology can replace laser photoelectric proximity sensors in some applications. No laser safety regulations and a longer operating life due to PinPoint technology
- Less downtime due to ASIC (application-specific integrated circuit) chip technology by SICK
- Resistant to ambient light, optical reflections, and immune to crosstalk from other photoelectric devices, reducing false detection
- Durable housing with reinforced mounting holes withstands harsh conditions
- Reliable operation in harsh environments with temperatures as low as -40 °C
- Quick and easy format adjustment
- Easy monitoring of sensor status
- Key lock function and parameter download prevent incorrect settings
- Simple sensor cloning



**Features**

Sensor/detection principle:	Photoelectric proximity sensor, Background suppression
Dimensions (W x H x D):	24.6 mm x 80.6 mm x 54 mm
Housing design (light emission):	Rectangular
Sensing range max.:	30 mm ... 1,600 mm <sup>1)</sup>
Sensing range:	100 mm ... 1,600 mm
Type of light:	Infrared light
Light source:	LED <sup>2)</sup>
Wave length:	880 nm
Adjustment:	Potentiometer
Light spot size (distance):	Ø 25 mm (800 mm)

1) Object with 90 % reflectance (referred to standard white DIN 5033) 2) Average service life of 100,000 h at  $T_A = +25\text{ °C}$

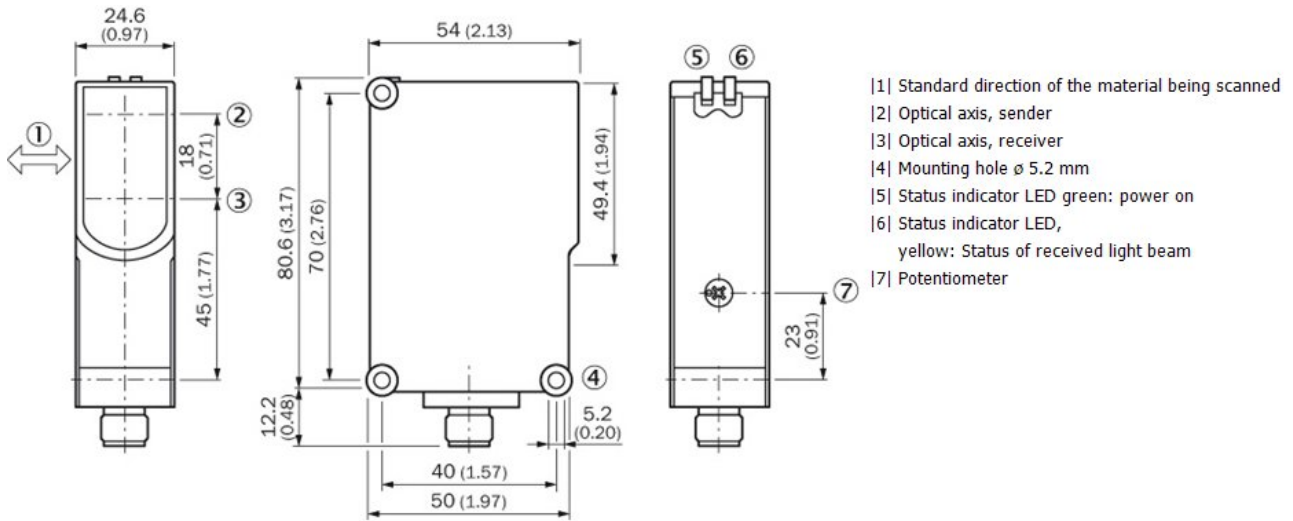
## Mechanics/electronics

---

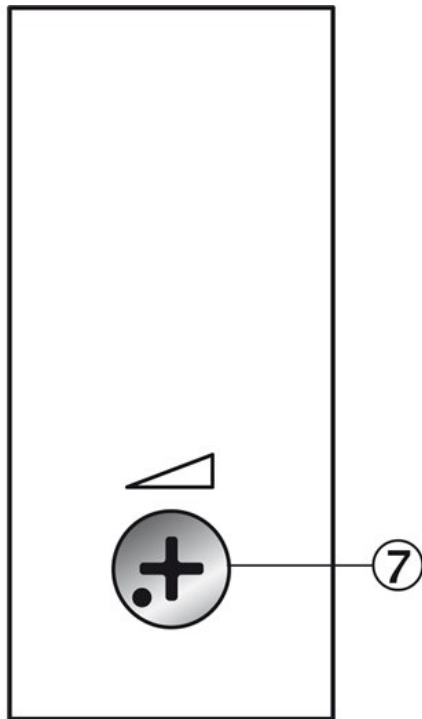
Supply voltage:	24 V AC/DC ... 240 V AC/DC <sup>1)</sup>
Power consumption:	≤ 2.5 VA
Switching output:	Relay <sup>2)</sup>
Output function:	Change-over contacts
Switching mode:	Light switching <sup>3)</sup>
Output characteristic:	Electrically isolated
Switching current (switching voltage):	0.11 A (250 V DC), 3 A (24 V DC), 3 A (250 V AC)
Response time:	≤ 10 ms
Switching frequency:	10 Hz <sup>4)</sup>
Connection type:	Cable, 5-wire, 2 m <sup>5)</sup>
Cable material:	PVC
Circuit protection:	A, C <sup>6) 7)</sup>
Protection class:	II <sup>8)</sup>
Weight:	200 g
IO-Link:	-
Special device:	-
Housing material:	ABS, Plastic
Optics material:	PMMA
Enclosure rating:	IP 66 IP 67
Usage category:	AC-15, DC-13, According to EN 60947-1
Ambient operating temperature:	-40 °C ... 60 °C <sup>9)</sup>
Ambient storage temperature:	-40 °C ... 75 °C
UL File No.:	NRKH.E181493 & NRKH7.E181493

1) ± 10 % 2) 3) Provide suitable spark suppression for inductive or capacitive loads 4) With light/dark ratio 1:1 5) Do not bend below 0 °C 6) A = V<sub>S</sub> connections  
reverse-polarity protected 7) C = interference suppression 8) Reference voltage 250 V AC 9) UL: 0 °C ... +60 °C

## Dimensional drawing

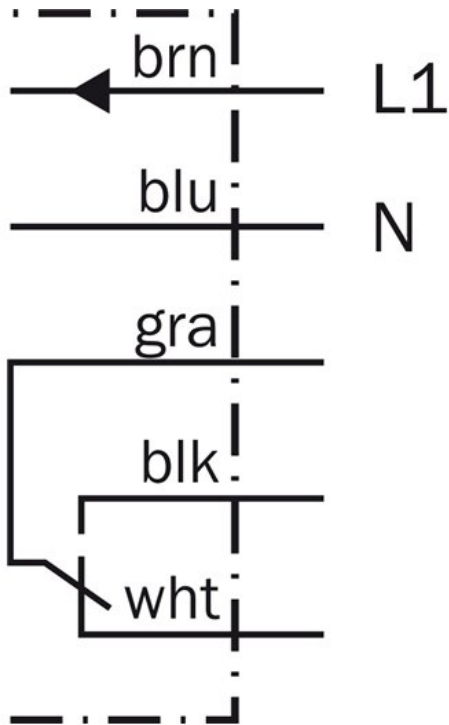


## Adjustments possible

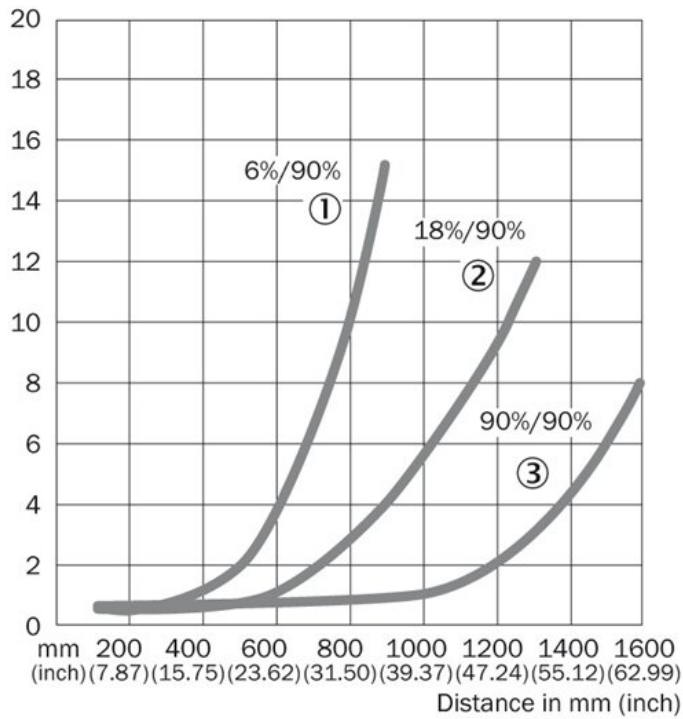


|1| Sensing range adjustment

Connection diagram



Characteristic curve



- [1] Sensing range on black, 6 % remission
- [2] Sensing range on grey, 18 % remission
- [3] Sensing range on white, 90 % remission



**Australia**

Phone +61 3 9457 0600  
1800 334 802 – tollfree  
E-Mail sales@sick.com.au

**Belgium/Luxembourg**

Phone +32 (0)2 466 55 66  
E-Mail info@sick.be

**Brasil**

Phone +55 11 3215-4900  
E-Mail sac@sick.com.br

**Canada**

Phone +1 905 771 14 44  
E-Mail information@sick.com

**Ceská Republika**

Phone +420 2 57 91 18 50  
E-Mail sick@sick.cz

**China**

Phone +86 4000 121 000  
E-Mail info.china@sick.net.cn  
Phone +852-2153 6300  
E-Mail ghk@sick.com.hk

**Danmark**

Phone +45 45 82 64 00  
E-Mail sick@sick.dk

**Deutschland**

Phone +49 211 5301-301  
E-Mail kundenservice@sick.de

**España**

Phone +34 93 480 31 00  
E-Mail info@sick.es

**France**

Phone +33 1 64 62 35 00  
E-Mail info@sick.fr

**Great Britain**

Phone +44 (0)1727 831121  
E-Mail info@sick.co.uk

**India**

Phone +91-22-4033 8333  
E-Mail info@sick-india.com

**Israel**

Phone +972-4-6801000  
E-Mail info@sick-sensors.com

**Italia**

Phone +39 02 27 43 41  
E-Mail info@sick.it

**Japan**

Phone +81 (0)3 3358 1341  
E-Mail support@sick.jp

**Magyarország**

Phone +36 1 371 2680  
E-Mail office@sick.hu

**Nederlands**

Phone +31 (0)30 229 25 44  
E-Mail info@sick.nl

**Norge**

Phone +47 67 81 50 00  
E-Mail austefjord@sick.no

**Österreich**

Phone +43 (0)22 36 62 28 8-0  
E-Mail office@sick.at

**Polska**

Phone +48 22 837 40 50  
E-Mail info@sick.pl

**România**

Phone +40 356 171 120  
E-Mail office@sick.ro

**Russia**

Phone +7-495-775-05-30  
E-Mail info@sick.ru

**Schweiz**

Phone +41 41 619 29 39  
E-Mail contact@sick.ch

**Singapore**

Phone +65 6744 3732  
E-Mail admin@sicksgp.com.sg

**Slovenija**

Phone +386 (0)1-47 69 990  
E-Mail office@sick.si

**South Africa**

Phone +27 11 472 3733  
E-Mail info@sickautomation.co.za

**South Korea**

Phone +82 2 786 6321/4  
E-Mail info@sickkorea.net

**Suomi**

Phone +358-9-25 15 800  
E-Mail sick@sick.fi

**Sverige**

Phone +46 10 110 10 00  
E-Mail info@sick.se

**Taiwan**

Phone +886-2-2375-6288  
E-Mail sales@sick.com.tw

**Türkiye**

Phone +90 (216) 528 50 00  
E-Mail info@sick.com.tr

**United Arab Emirates**

Phone +971 (0) 4 8865 878  
E-Mail info@sick.ae

**USA/México**

Phone +1(952) 941-6780  
1 800-325-7425 – tollfree  
E-Mail info@sickusa.com

More representatives and agencies  
at [www.sick.com](http://www.sick.com)