



Photoelectric sensors
W14-2, Photoelectric proximity sensor, energetic

WT14-2P411



Model Name > [WT14-2P411](#)
Part No. > [1026059](#)



Illustration may differ

At a glance

- Emitter LED with infrared light
- Energetic photoelectric proximity sensor
- Teach-in
- Rugged plastic housing

Your benefits

- Quick and easy sensing range adjustment due to 4-speed potentiometer
- Crosstalk and ambient light immunity reduces false trips and downtime
- High availability in the field



Features

Sensor/detection principle:	Photoelectric proximity sensor, energetic
Dimensions (W x H x D):	17.6 mm x 75.5 mm x 33.5 mm
Housing design (light emission):	Rectangular
Sensing range max.:	50 mm ... 1,500 mm ¹⁾
Sensing range:	300 mm ... 1,500 mm ²⁾
Type of light:	Infrared light
Light source:	LED ³⁾
Wave length:	870 nm
Teach-in:	Single teach-in button
Adjustment:	Teach-in
Light spot size (distance):	Ø 56 mm (1,000 mm)

^{1) 2)} Object with 90 % reflectance (referred to standard white DIN 5033) ³⁾ Average service life of 100,000 h at T_A = +25 °C

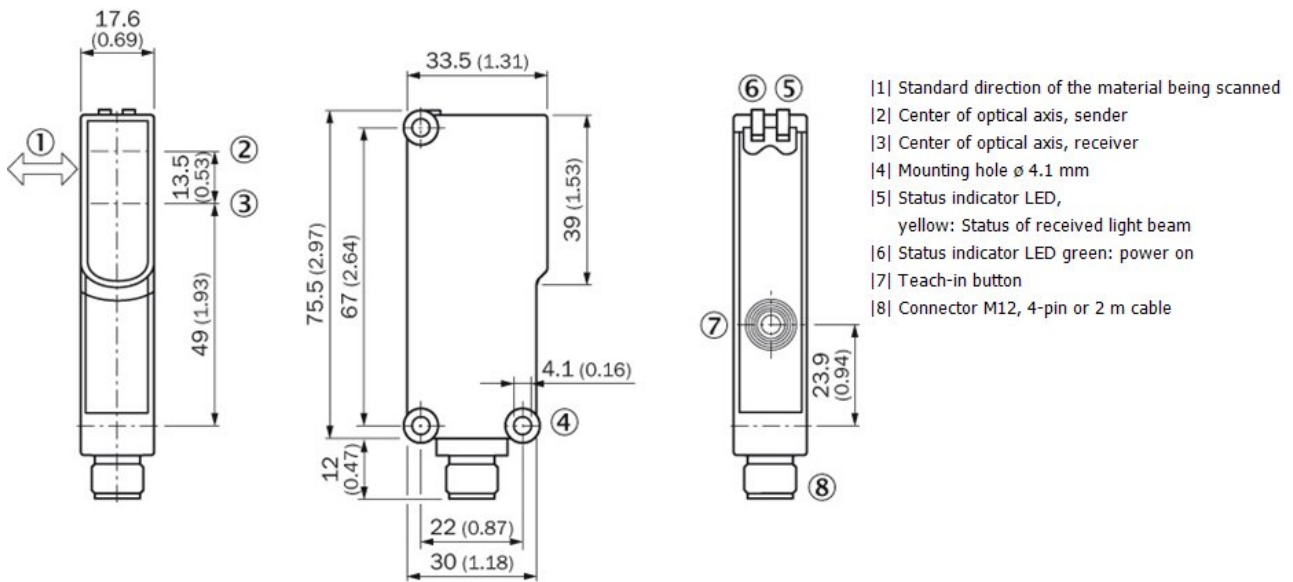
Mechanics/electronics

Supply voltage:	10 V DC ... 30 V DC ¹⁾
Power consumption:	≤ 55 mA ²⁾
Switching output:	PNP
Output function:	Complementary
Switching mode:	Light/dark-switching
Output current I _{max.} :	≤ 100 mA
Response time:	≤ 2.5 ms ³⁾
Switching frequency:	200 Hz ⁴⁾
Connection type:	Connector M12, 4-pin
Circuit protection:::	A, C, D ^{5) 6) 7)}

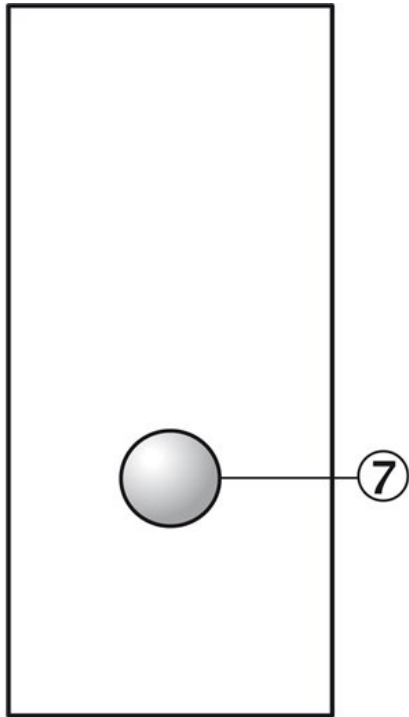
Weight: 40 g
Housing material: ABS, Plastic
Optics material: PMMA
Enclosure rating: IP 67
Ambient operating temperature: -25 °C ... 60 °C
Ambient storage temperature: -40 °C ... 70 °C
UL File No.: NRKH.E181493 & NRKH7.E181493

1) Limit values, operation in short-circuit protected network max. 8 A 2) Without load 3) Signal transit time with resistive load 4) With light/dark ratio 1:1 5) $A = V_S$
connections reverse-polarity protected 6) C = interference suppression 7) D = outputs overcurrent and short-circuit protected

Dimensional drawing

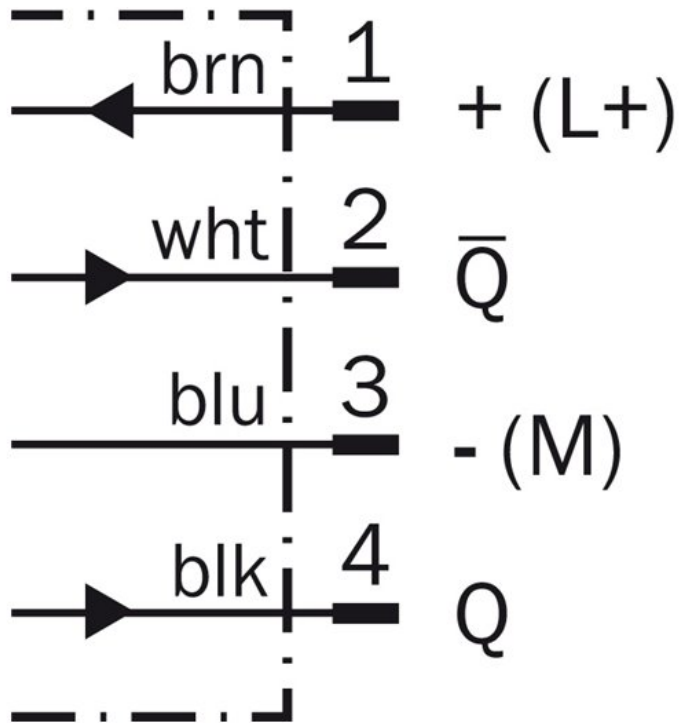


Adjustments possible

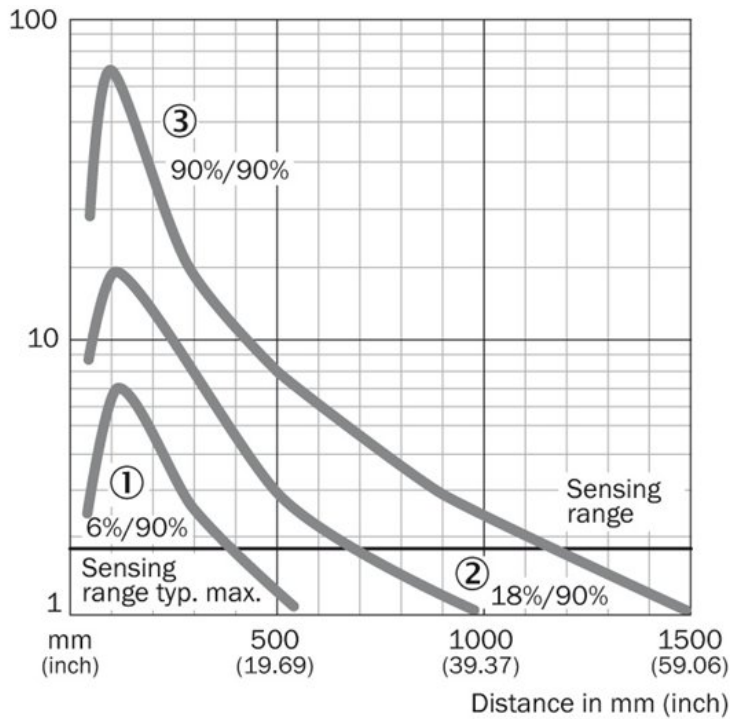


[1] Teach-in button

Connection diagram

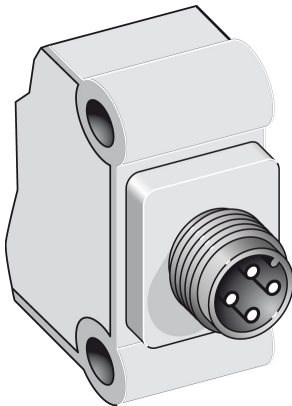


Characteristic curve

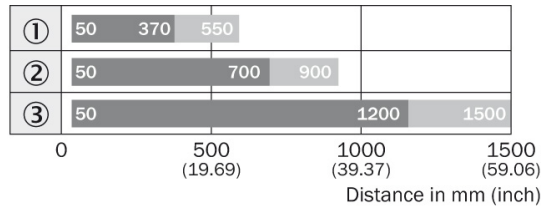


- |1| Sensing range on black, 6 % remission
- |2| Sensing range on grey, 18 % remission
- |3| Sensing range on white, 90 % remission

Connection type



Sensing range diagram



■ Sensing range ■ Sensing range typ. max.

- ① Sensing range on black, 6 % remission
- ② Sensing range on gray, 18 % remission
- ③ Sensing range on white, 90 % remission

Australia

Phone +61 3 9457 0600
1800 334 802 – tollfree
E-Mail sales@sick.com.au

Belgium/Luxembourg

Phone +32 (0)2 466 55 66
E-Mail info@sick.be

Brasil

Phone +55 11 3215-4900
E-Mail sac@sick.com.br

Canada

Phone +1 905 771 14 44
E-Mail information@sick.com

Ceská Republika

Phone +420 2 57 91 18 50
E-Mail sick@sick.cz

China

Phone +86 4000 121 000
E-Mail info.china@sick.net.cn
Phone +852-2153 6300
E-Mail ghk@sick.com.hk

Danmark

Phone +45 45 82 64 00
E-Mail sick@sick.dk

Deutschland

Phone +49 211 5301-301
E-Mail kundenservice@sick.de

España

Phone +34 93 480 31 00
E-Mail info@sick.es

France

Phone +33 1 64 62 35 00
E-Mail info@sick.fr

Great Britain

Phone +44 (0)1727 831121
E-Mail info@sick.co.uk

India

Phone +91-22-4033 8333
E-Mail info@sick-india.com

Israel

Phone +972-4-6801000
E-Mail info@sick-sensors.com

Italia

Phone +39 02 27 43 41
E-Mail info@sick.it

Japan

Phone +81 (0)3 3358 1341
E-Mail support@sick.jp

Magyarország

Phone +36 1 371 2680
E-Mail office@sick.hu

Nederlands

Phone +31 (0)30 229 25 44
E-Mail info@sick.nl

Norge

Phone +47 67 81 50 00
E-Mail austefjord@sick.no

Österreich

Phone +43 (0)22 36 62 28 8-0
E-Mail office@sick.at

Polska

Phone +48 22 837 40 50
E-Mail info@sick.pl

România

Phone +40 356 171 120
E-Mail office@sick.ro

Russia

Phone +7-495-775-05-30
E-Mail info@sick.ru

Schweiz

Phone +41 41 619 29 39
E-Mail contact@sick.ch

Singapore

Phone +65 6744 3732
E-Mail admin@sicksgp.com.sg

Slovenija

Phone +386 (0)1-47 69 990
E-Mail office@sick.si

South Africa

Phone +27 11 472 3733
E-Mail info@sickautomation.co.za

South Korea

Phone +82 2 786 6321/4
E-Mail info@sickkorea.net

Suomi

Phone +358-9-25 15 800
E-Mail sick@sick.fi

Sverige

Phone +46 10 110 10 00
E-Mail info@sick.se

Taiwan

Phone +886-2-2375-6288
E-Mail sales@sick.com.tw

Türkiye

Phone +90 (216) 528 50 00
E-Mail info@sick.com.tr

United Arab Emirates

Phone +971 (0) 4 8865 878
E-Mail info@sick.ae

USA/México

Phone +1(952) 941-6780
1 800-325-7425 – tollfree
E-Mail info@sickusa.com

More representatives and agencies
at www.sick.com