



Magnetic safety switches RE13/RE23 Sensor & actuator

RE13-DAC



Model Name > [RE13-DAC](#)
Part No. > [6036769](#)

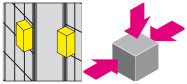


At a glance

- Response range up to 7 mm for small design and, up to 9 mm for standard design
- 2 N/O contacts
- Up to performance level PL e / Cat. 4 (EN ISO 13849)
- Direct connection to safe control solution possible
- Sensors with plug connector or connected cable

Your benefits

- Long service life due to durable and low-maintenance design
- Space-saving mounting due to compact housing design
- Just one safety switch in conjunction with a suitable safety module makes it possible to solve applications up to PL e and Cat. 4 (EN ISO 13849)
- High level of machine availability due to high tolerances for door misalignment
- Direct connection to the safe control solution eliminates any additional wiring and reduces installation time
- The devices are easy to clean, making them suitable for contaminated areas or environments with strict hygiene standards

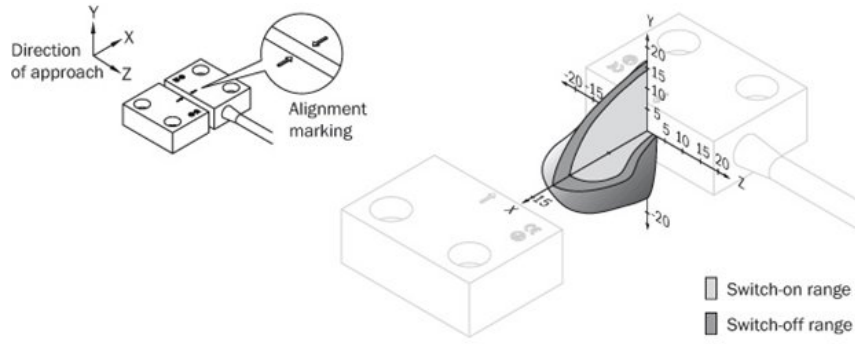


Technical data

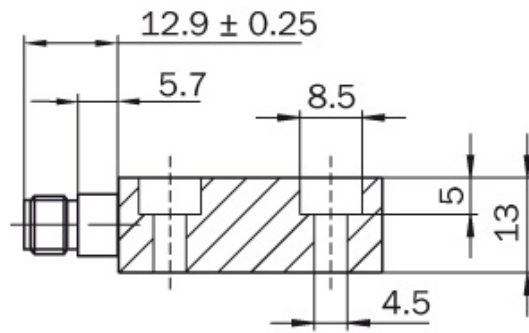
Sensor principle:	Magnetic
Category:	Up to category 4 (EN ISO 13849) ¹⁾
Performance level:	Up to PL e (EN ISO 13849) ²⁾
B10d parameter:	2*1E 07 switching cycles, with small load
Housing material:	Plastic
Enclosure rating:	IP 67
Ambient operating temperature from ... to:	-20 °C ... 60 °C
Number of actuation directions:	3
Connection type:	M8 plug connector, 4-pin
Number of N/C contacts:	0
Number of N/O contacts:	2
Safe switch on distance S _{ao} :	7 mm
Status display:	-
Housing:	Rectangular
Dimensions:	26 mm x 36 mm x 13 mm
Weight:	0.032 kg

1) 2) In combination with suitable safety device

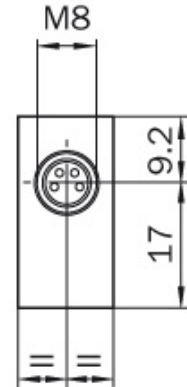
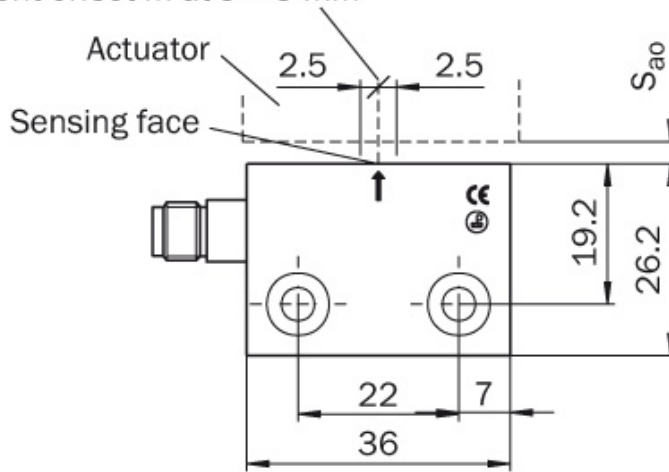
Response range



Dimensional drawing

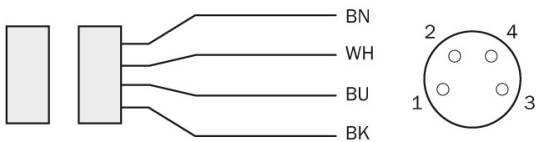


Alignment offset m at $s = 3 \text{ mm}$



The actuators have the same dimensions as the read heads, but without plug connector.

Connection diagram



1 BN	N/O contact
2 WH	
3 BU	N/O contact
4 BK	

Australia

Phone +61 3 9457 0600
1800 334 802 – tollfree
E-Mail sales@sick.com.au

Belgium/Luxembourg

Phone +32 (0)2 466 55 66
E-Mail info@sick.be

Brasil

Phone +55 11 3215-4900
E-Mail sac@sick.com.br

Canada

Phone +1 905 771 14 44
E-Mail information@sick.com

Ceská Republika

Phone +420 2 57 91 18 50
E-Mail sick@sick.cz

China

Phone +86 4000 121 000
E-Mail info.china@sick.net.cn
Phone +852-2153 6300
E-Mail ghk@sick.com.hk

Danmark

Phone +45 45 82 64 00
E-Mail sick@sick.dk

Deutschland

Phone +49 211 5301-301
E-Mail kundenservice@sick.de

España

Phone +34 93 480 31 00
E-Mail info@sick.es

France

Phone +33 1 64 62 35 00
E-Mail info@sick.fr

Great Britain

Phone +44 (0)1727 831121
E-Mail info@sick.co.uk

India

Phone +91-22-4033 8333
E-Mail info@sick-india.com

Israel

Phone +972-4-6801000
E-Mail info@sick-sensors.com

Italia

Phone +39 02 27 43 41
E-Mail info@sick.it

Japan

Phone +81 (0)3 3358 1341
E-Mail support@sick.jp

Magyarország

Phone +36 1 371 2680
E-Mail office@sick.hu

Nederlands

Phone +31 (0)30 229 25 44
E-Mail info@sick.nl

Norge

Phone +47 67 81 50 00
E-Mail austefjord@sick.no

Österreich

Phone +43 (0)22 36 62 28 8-0
E-Mail office@sick.at

Polska

Phone +48 22 837 40 50
E-Mail info@sick.pl

România

Phone +40 356 171 120
E-Mail office@sick.ro

Russia

Phone +7-495-775-05-30
E-Mail info@sick.ru

Schweiz

Phone +41 41 619 29 39
E-Mail contact@sick.ch

Singapore

Phone +65 6744 3732
E-Mail admin@sicksgp.com.sg

Slovenija

Phone +386 (0)1-47 69 990
E-Mail office@sick.si

South Africa

Phone +27 11 472 3733
E-Mail info@sickautomation.co.za

South Korea

Phone +82 2 786 6321/4
E-Mail info@sickkorea.net

Suomi

Phone +358-9-25 15 800
E-Mail sick@sick.fi

Sverige

Phone +46 10 110 10 00
E-Mail info@sick.se

Taiwan

Phone +886-2-2375-6288
E-Mail sales@sick.com.tw

Türkiye

Phone +90 (216) 528 50 00
E-Mail info@sick.com.tr

United Arab Emirates

Phone +971 (0) 4 8865 878
E-Mail info@sick.ae

USA/México

Phone +1(952) 941-6780
1 800-325-7425 – tollfree
E-Mail info@sickusa.com

More representatives and agencies
at www.sick.com