



Inductive safety switches IN3000 Direct Sensor

IN30-E0208K



Model Name > [IN30-E0208K](#)
Part No. > [6044655](#)

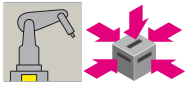


At a glance

- Two outputs for direct connection of sensors to a single safety controller
- Response range of up to 15 mm
- LED status indicator
- Up to performance level PL d (EN ISO 13849), SILCL2 (EN 62061), SIL2 (IEC 61508)
- Sensors with plug connector

Your benefits

- Cost-effective solution for applications up to PL d / SILCL2
- Space-saving mounting due to compact housing design
- Direct connection to the safe control solution eliminates any additional wiring and reduces installation time
- Fast diagnostics via LED status indicator
- Long service life due to durable and low-maintenance design
- The devices are easy to clean, making them suitable for contaminated areas or environments with strict hygiene standards



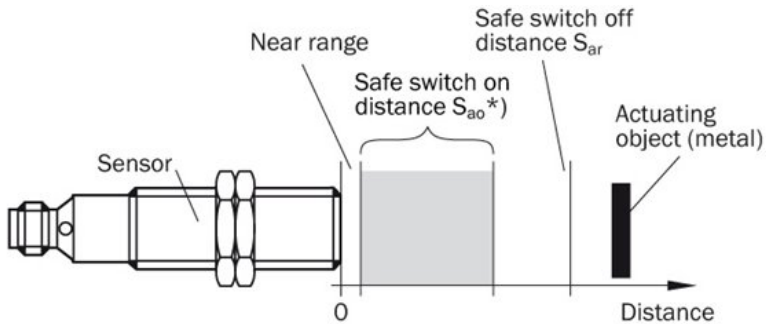
Technical data

Sensor principle:	Inductive
Safety integrity level:	SIL2 (IEC 61508), SILCL2 (EN 62061)
Category:	Category 3 (EN ISO 13849)
Performance level:	PL d (EN ISO 13849)
PFHd:	1.0 * 1E-07
TM (mission time)::	10 a (EN ISO 13849) 1) 2) 20 a (EN ISO 13849)
Housing material:	V4A (housing), PBT (cover)
Enclosure rating:	IP 65 (IEC 60529) IP 67
Protection class:	III (EN 50178)
Ambient operating temperature from ... to:	-25 °C ... 70 °C
Connection type:	Connector
Size of the cable gland:	M12
Type of output:	Semiconductor
Number of outputs:	2
Safe switch on distance Sao:	15 mm
Status display:	✓

Housing: Cylindrical
 Dimensions: M30 x 70 mm
 Installation type: Non-flush
 Weight: 0.19 kg

1) At -25 °C ... +70 °C and 5 % ... 95 % relative air humidity 2) At +10 °C ... +40 °C and 5 % ... 70 % relative air humidity

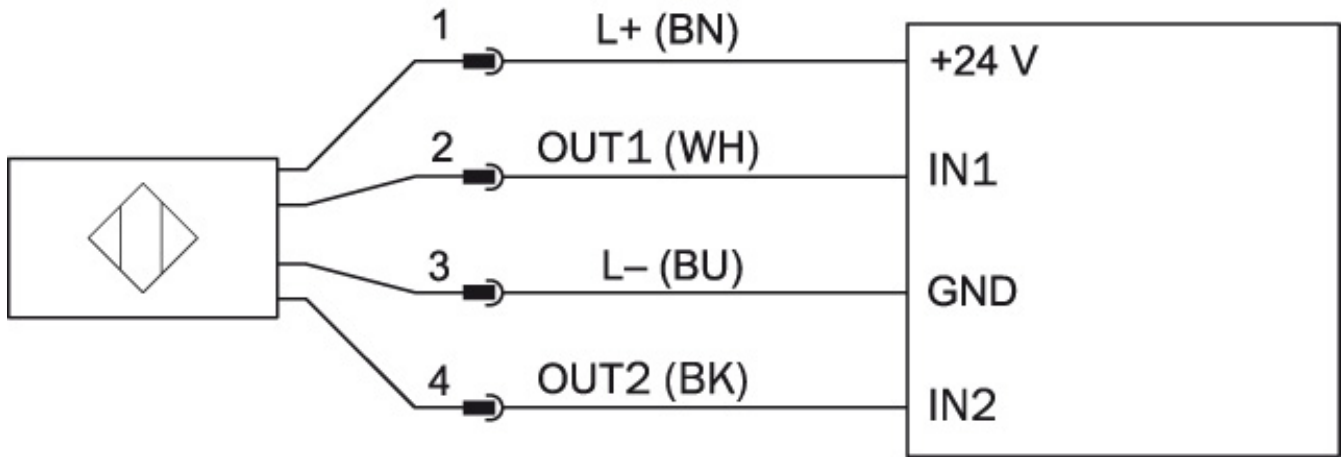
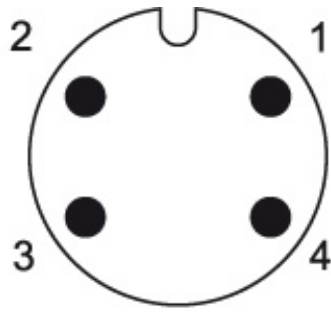
Response range

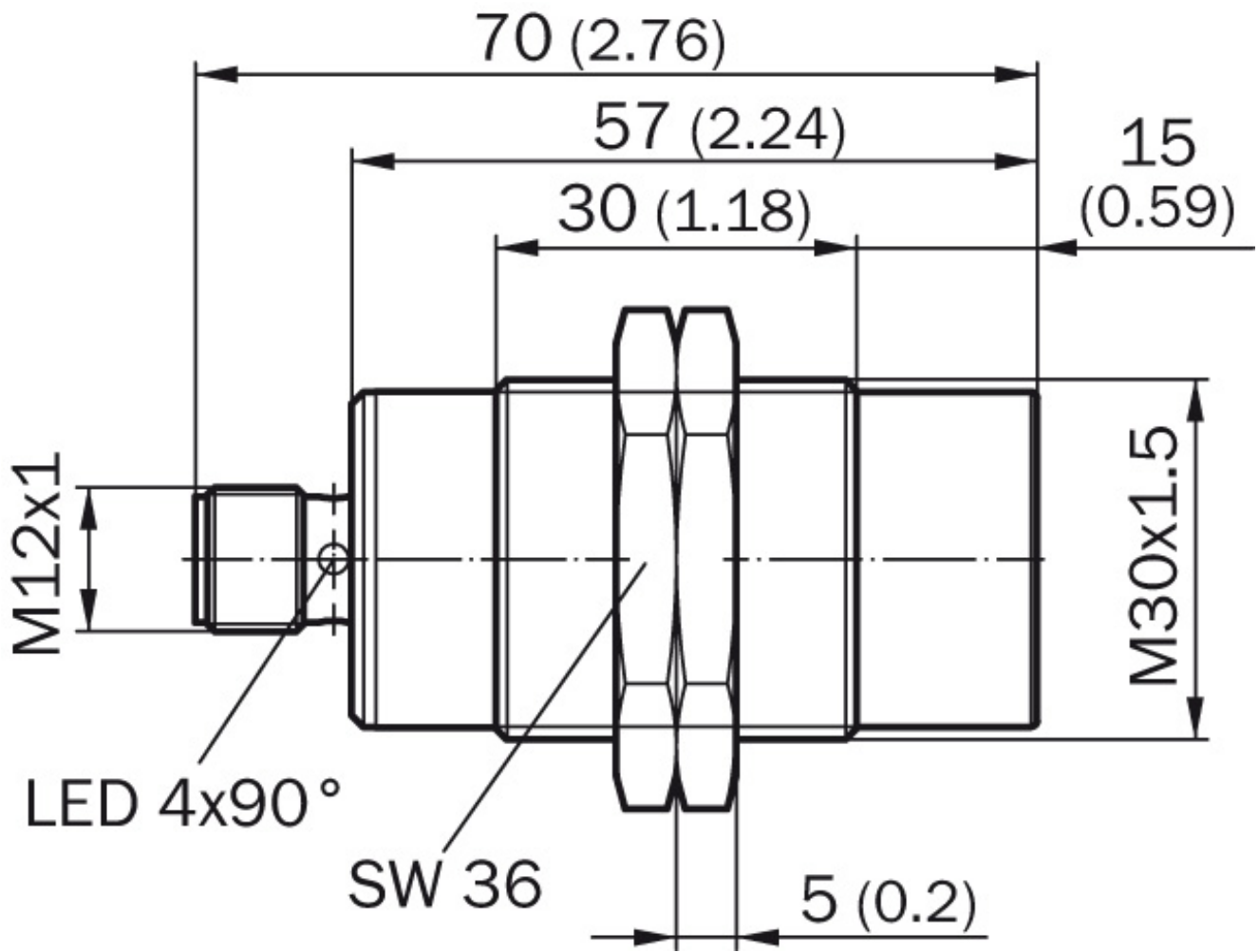


Material of the actuating object	Safe switch on distance S_{ao}^*	Safe switch off distance S_{ar}
Steel FE360	1.0 mm ... 15.0 mm	22 mm
Stainless steel 1.4302	0 mm ... 11.4 mm	
AlMg 3G22	0 mm ... 6.8 mm	
CuZn 37	0 mm ... 7.2 mm	
Cu	0 mm ... 5.5 mm	

*) Typical values for damping with a reference target plate of 45 x 45 x 1 mm and non-flush installation according to IEC 60947-5-2 at an ambient temperature of 20 °C.

Connection diagram





Australia

Phone +61 3 9457 0600
1800 334 802 – tollfree
E-Mail sales@sick.com.au

Belgium/Luxembourg

Phone +32 (0)2 466 55 66
E-Mail info@sick.be

Brasil

Phone +55 11 3215-4900
E-Mail sac@sick.com.br

Canada

Phone +1 905 771 14 44
E-Mail information@sick.com

Ceská Republika

Phone +420 2 57 91 18 50
E-Mail sick@sick.cz

China

Phone +86 4000 121 000
E-Mail info.china@sick.net.cn
Phone +852-2153 6300
E-Mail ghk@sick.com.hk

Danmark

Phone +45 45 82 64 00
E-Mail sick@sick.dk

Deutschland

Phone +49 211 5301-301
E-Mail kundenservice@sick.de

España

Phone +34 93 480 31 00
E-Mail info@sick.es

France

Phone +33 1 64 62 35 00
E-Mail info@sick.fr

Great Britain

Phone +44 (0)1727 831121
E-Mail info@sick.co.uk

India

Phone +91-22-4033 8333
E-Mail info@sick-india.com

Israel

Phone +972-4-6801000
E-Mail info@sick-sensors.com

Italia

Phone +39 02 27 43 41
E-Mail info@sick.it

Japan

Phone +81 (0)3 3358 1341
E-Mail support@sick.jp

Magyarország

Phone +36 1 371 2680
E-Mail office@sick.hu

Nederlands

Phone +31 (0)30 229 25 44
E-Mail info@sick.nl

Norge

Phone +47 67 81 50 00
E-Mail austefjord@sick.no

Österreich

Phone +43 (0)22 36 62 28 8-0
E-Mail office@sick.at

Polska

Phone +48 22 837 40 50
E-Mail info@sick.pl

România

Phone +40 356 171 120
E-Mail office@sick.ro

Russia

Phone +7-495-775-05-30
E-Mail info@sick.ru

Schweiz

Phone +41 41 619 29 39
E-Mail contact@sick.ch

Singapore

Phone +65 6744 3732
E-Mail admin@sicksgp.com.sg

Slovenija

Phone +386 (0)1-47 69 990
E-Mail office@sick.si

South Africa

Phone +27 11 472 3733
E-Mail info@sickautomation.co.za

South Korea

Phone +82 2 786 6321/4
E-Mail info@sickkorea.net

Suomi

Phone +358-9-25 15 800
E-Mail sick@sick.fi

Sverige

Phone +46 10 110 10 00
E-Mail info@sick.se

Taiwan

Phone +886-2-2375-6288
E-Mail sales@sick.com.tw

Türkiye

Phone +90 (216) 528 50 00
E-Mail info@sick.com.tr

United Arab Emirates

Phone +971 (0) 4 8865 878
E-Mail info@sick.ae

USA/México

Phone +1(952) 941-6780
1 800-325-7425 – tollfree
E-Mail info@sickusa.com

More representatives and agencies
at www.sick.com